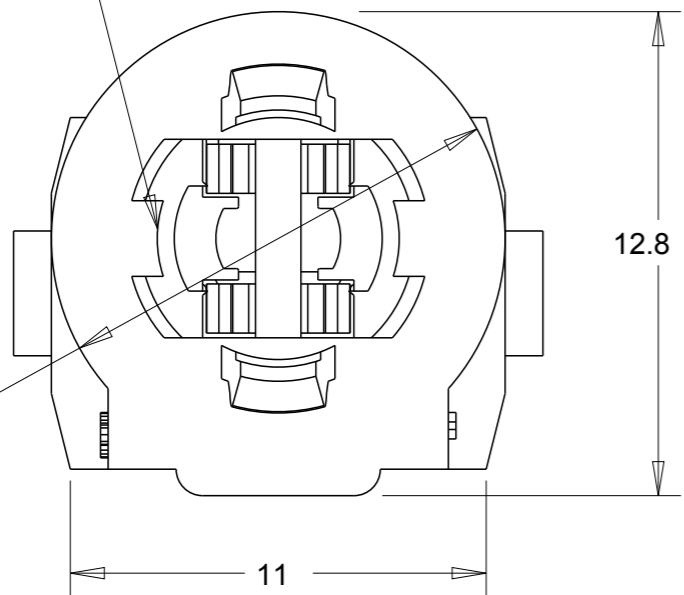
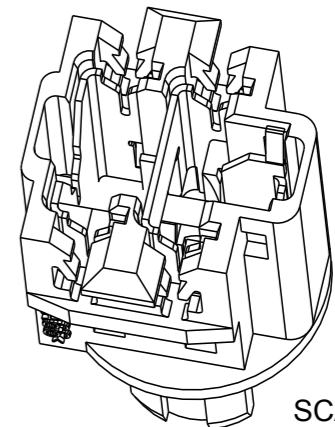
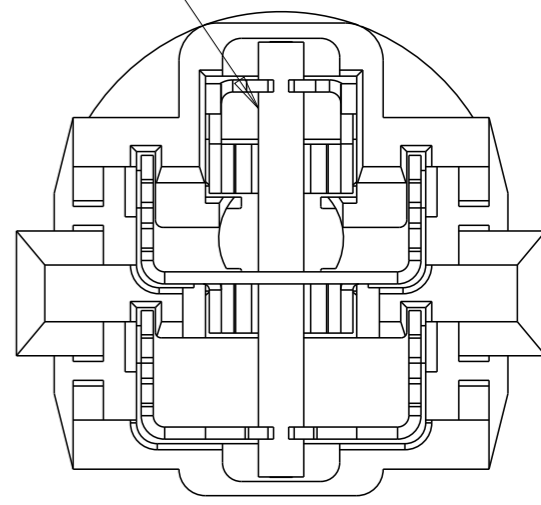
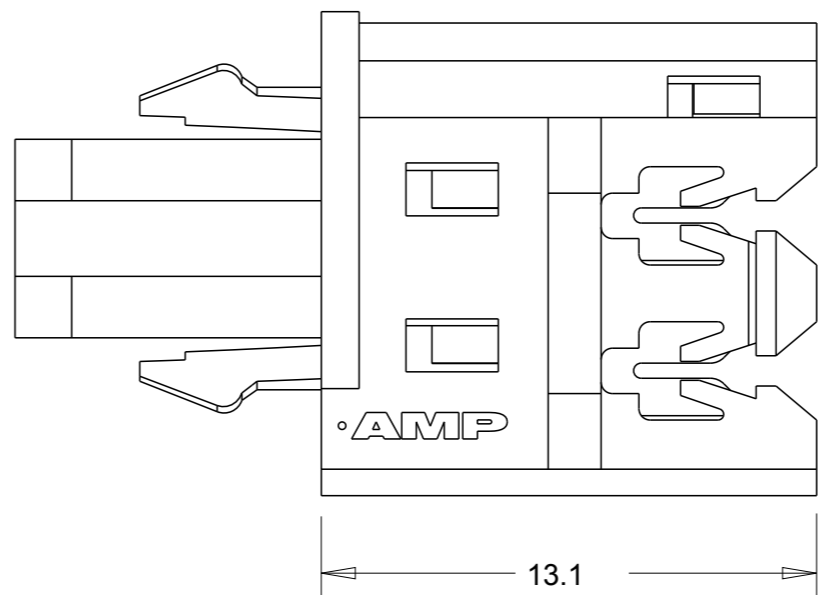


LOC	DIST	REVISIONS					
		P	LTR	DESCRIPTION	DATE	DWN	APVD
E	-		D	ECR-10-010252	24/05/10	MJG	JA

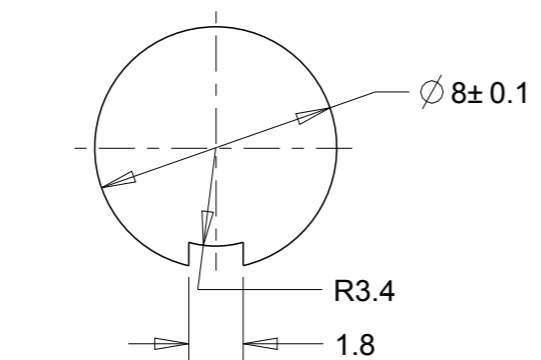
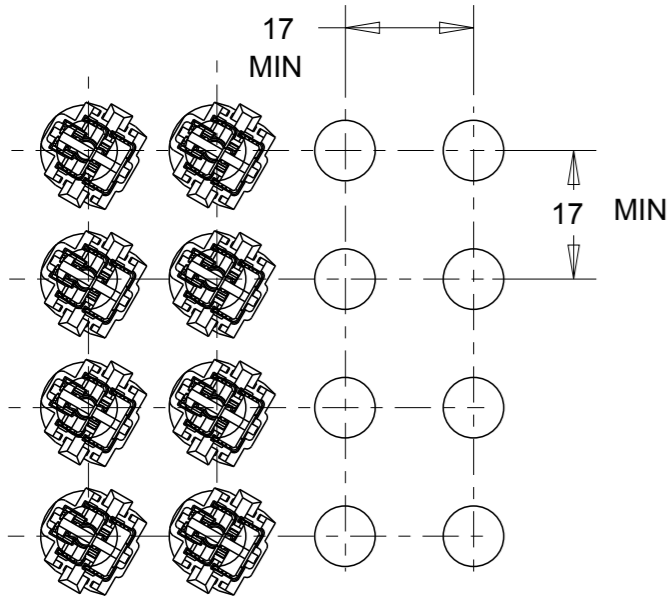
POLARIZING SLOT



INSULATED SHORTING LINK



SCALE 3:1



RECOMMENDED PANEL CUTOUT DIMS.
(CUTOUT TAB MAY BE)
(OMITTED IF POLARIZING)
(IS NOT REQUIRED)

1 MATERIALS
HOUSING :- NYLON 66
CONTACTS :- BRASS

2 AMP PRODUCT SPEC No 108-3382.

3 AMP APPLICATION SPEC No 114-3185.

BULBHOLDER WITHOUT BULB		NATURAL	349495-2
DESCRIPTION		HOUSING COLOUR	PART NUMBER
DWN D.R.TERRY 18-MAR-96		 AMP of Great Britain Ltd Terminal House, Stanmore, Middx. HA7 4RS.	
CHK B.COOLBEAR 28-JUN-96			
APVD B.COOLBEAR 28-JUN-96		NAME	
PRODUCT SPEC 108-3382		5mm IDC BULBHOLDER ASSEMBLY	
APPLICATION SPEC 114-3185		WITHOUT DIODE	
WEIGHT -		SIZE A3	CAGE CODE 00779
CUSTOMER DRAWING		DRAWING NO. C-349495	SCALE 5:1 SHEET 1 OF 1 REV D

DIMENSIONS: mm		TOLERANCES UNLESS OTHERWISE SPECIFIED: LINEAR 0.5	
		0 PLC	± -
		1 PLC	± -
		2 PLC	± -
		3 PLC	± -
		4 PLC	± -
MATERIAL 1		ANGLES	± -
		FINISH	-

RECOMMENDED MAXIMUM PANEL DENSITY FOR MANUAL WIRE INSERTION TOOLS.
CONSULT AMP FOR PITCHING DIMENSIONS IF USING POWERED TOOLING.
SCALE 1:1
PANEL THICKNESS 1.5 TO 2.0

X-ON Electronics

Largest Supplier of Electrical and Electronic Components

Click to view similar products for [Terminals](#) category:

Click to view products by [TE Connectivity](#) manufacturer:

Other Similar products are found below :

[HT-13-10](#) [71M-250-32-NB](#) [01-2065-1-0216](#) [00581P0075](#) [M10-10RX](#) [M10BCK](#) [60205-1](#) [604200-1](#) [60598-1-CUT-TAPE](#) [60617-1-C](#) [60873-1](#) [M14-516R/SK](#) [M14-6RSX](#) [M18-8FBX](#) [M18-8R/LX](#) [M18BCK](#) [61314-6-C](#) [61-S](#) [61-SN-A](#) [62-NBM-A](#) [63-S](#) [640179-1](#) [640917-2-CUT-TAPE](#) [6501550002](#) [66107-2-C](#) [696683-1](#) [696834-1](#) [696861-1](#) [696931-1](#) [696999-1](#) [M8-516RK](#) [M86700006](#) [MA250DMFMX-A](#) [701-2007](#) [701-2307](#) [701-7761-03](#) [70F-110-32-PB](#) [718-N-A](#) [71M-187-20-NBL](#) [71M-250-32-NBL](#) [72F-187-20-NBL](#) [72M-250-32-NBL](#) [7310](#) [73F-250-32](#) [73F-250-32-NL](#) [F14-10C](#) [F-1M](#) [751-250](#) [76650-5002](#) [76828-149](#)