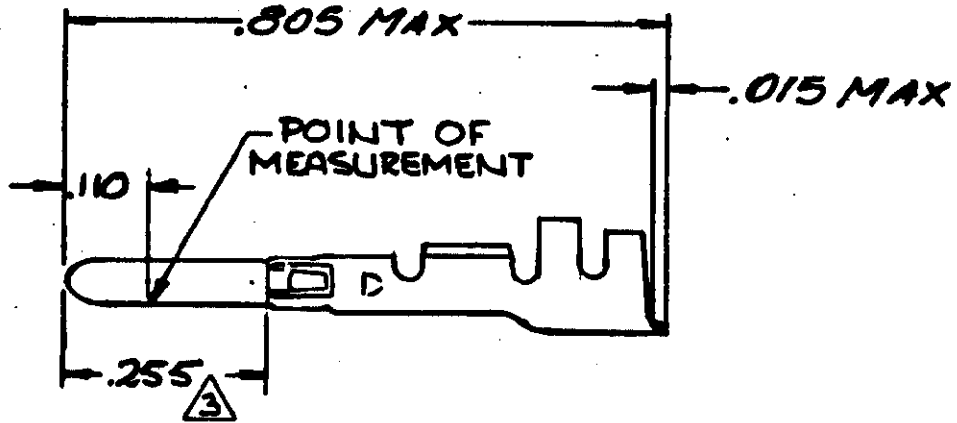


350036



1. FOR ADDITIONAL INFORMATION SEE DWG 350018.
  2. THIS TERMINAL TO BE SUPPLIED IN INDIVIDUAL FORM, NOT AS CONTINUOUS STRIP.
- ⚠️ PLATED WITH .000030 GOLD, OVER .000050 NICKEL UNDERPLATE.

PART NO.	MATERIAL & FINISH
350036-1	.008 BRASS - PRE-TIN
350036-2	.008 BRASS - GOLD ⚠️

DIMENSIONS IN INCHES. DO NOT SCALE PRINT.

Unpublished copy not to be reproduced nor published without written permission of AMP Incorporated

E1	RESTORED		BO/RS	10/1/83	©1977 BY AMP INCORPORATED. ALL RIGHTS RESERVED. AMP PRODUCTS COVERED BY PATENTS AND/OR PATENTS PENDING	CUSTOMER COPY REFERENCE ONLY				
E	REVISED PER M-7349	TW	JH	5/1/83	MATERIAL AND FINISH	 AMP INCORPORATED HARRISBURG, PENNSA				
D	ADDED NOTE 3, m-6086	MF	JH	11/13/80	SEE TABLE					
C	REVISED M-4049		MF	1-10-77	CLASS	—#—				
B	REVO LATCH	M-1500	MF	2/12/76	WIRE — RANGE — INSULATION	TYPE				
A	REVISED DESIGN	MF	MF	1/13/75	#26-#18   .050-.115	—#—				
LTR	REVISION RECORD	ECN	OP	CHK	DATE	TOLERANCE EXCEPT AS NOTED ± 0.15 ± 1.0	SCALE 4-1	LOC. CM	NO. A 350036	REV. E1
DR	JIM KUNKLE	DE				NAME .058 DIA PIN (LOOSE PIECE)				
CHK		APP								

## X-ON Electronics

Largest Supplier of Electrical and Electronic Components

*Click to view similar products for [Headers & Wire Housings](#) category:*

*Click to view products by [TE Connectivity](#) manufacturer:*

Other Similar products are found below :

[892-18-020-10-001101](#) [58102-G61-06LF](#) [582553-1](#) [0009485154](#) [009176003701906](#) [0050291907](#) [LY20-4P-DT1-P1E-BR](#) [02.125.8002.8](#)  
[609-3404](#) [61062-3](#) [61082-181009](#) [622-3653LF](#) [63453-116](#) [636-1030](#) [636-1427](#) [636-3427](#) [636-4007](#) [641938-9](#) [641991-4](#) [644827-2](#) [65817-](#)  
[010LF](#) [65817-015LF](#) [65863-015LF](#) [66207-023LF](#) [67095-007LF](#) [67601157](#) [68645-018](#) [68648-049](#) [70.362.1628.0](#) [70-4210](#) [70-4226B](#) [70-](#)  
[4853B](#) [707-5020](#) [707-5028](#) [71.350.2428.0](#) [71918-208LF](#) [71961-016LF](#) [733-134](#) [733-162](#) [754199-000](#) [760-3052](#) [79531-3000](#) [FCN-](#)  
[360C032-B](#) [FCN-367T-T012/H](#) [FCN-723D010/2](#) [80.063.4001.1](#) [800-90-010-10-002000](#) [801-43-002-10-013000](#) [801-43-006-10-002000](#)  
[801-93-011-10-001000](#)