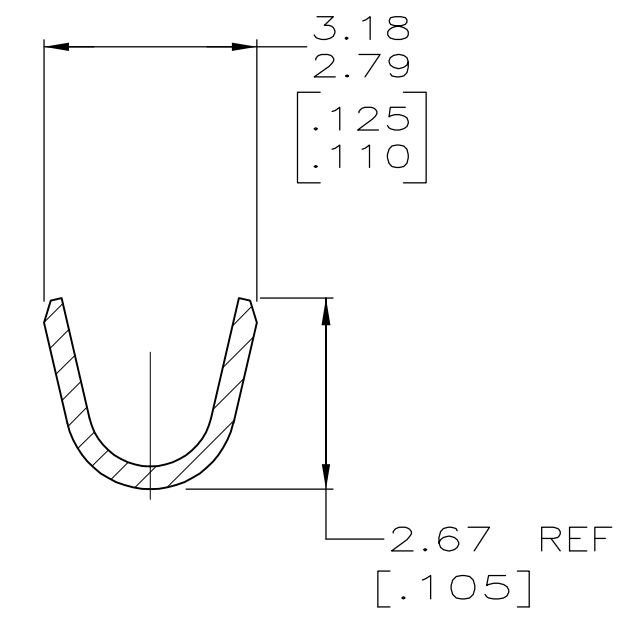
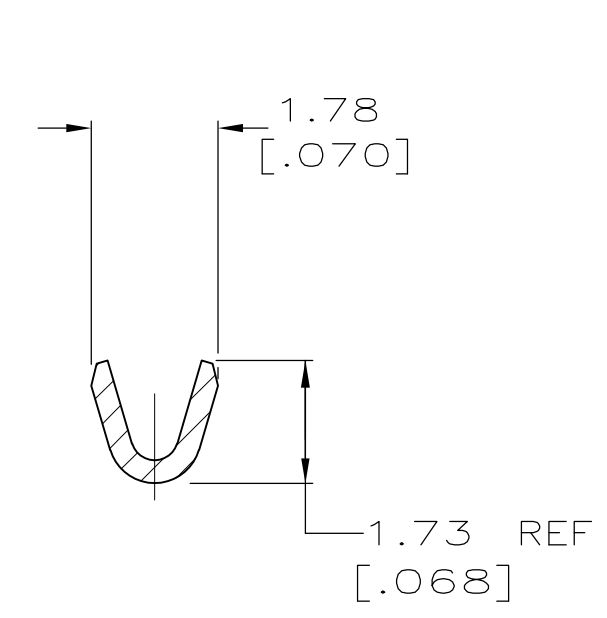
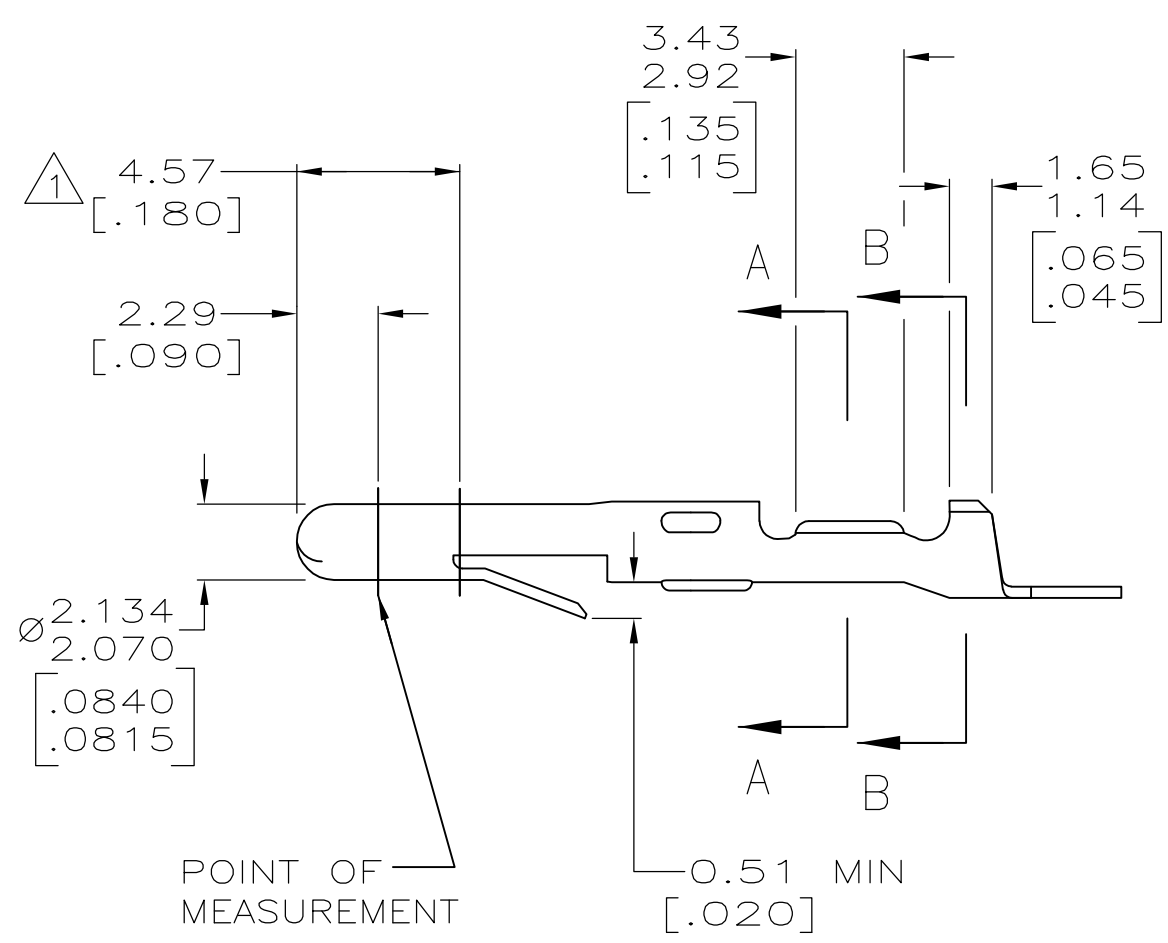
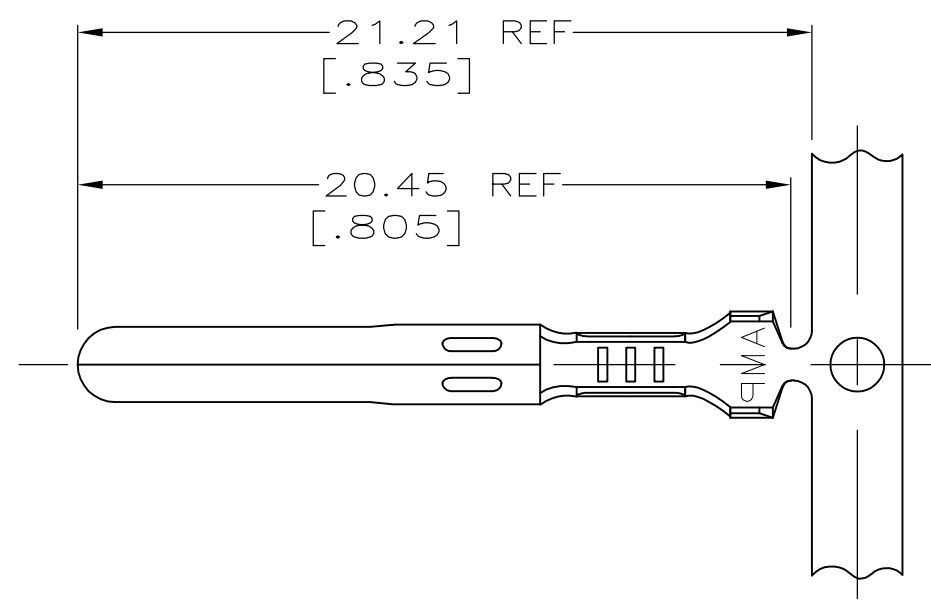


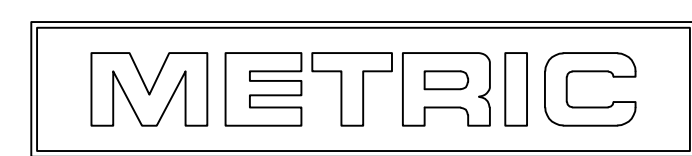
THIS DRAWING IS UNPUBLISHED. RELEASED FOR PUBLICATION
 © COPYRIGHT - By - ALL RIGHTS RESERVED.

LOC	DIST	REVISIONS			
P	LTR	DESCRIPTION	DATE	OWN	APVD
CM	53	U2	REVISED PER ECR 12-013810	24SEPT12	JR TM

1. PLATE OVERALL WITH 0.00127 [.000050] MIN NICKEL, THEN PLATE INSIDE OF WIRE BARREL AND ON TIP OF PIN WITH 0.00076 [.000030] MIN GOLD.
2. WIRE RANGE: 0.05 - 0.4 mm² [30 - 22 AWG].
3. INSULATION RANGE: 1.02-1.91 [.040-.075] DIA.
4. DIMENSIONS IN BRACKETS ARE IN INCHES.



1	0.30 [.012] BRASS	350079-5
PRE-TIN	0.30 [.012] PH BRZ	350079-4
PRE-TIN	0.30 [.012] BRASS	350079-1
FINISH	MATERIAL	PART NO



THIS DRAWING IS A CONTROLLED DOCUMENT FOR AMP INCORPORATED. IT IS SUBJECT TO CHANGE AND THE CONTROLLING ENGINEERING ORGANIZATION SHOULD BE CONTACTED FOR THE LATEST REVISION.

THIS DRAWING IS A CONTROLLED DOCUMENT.		DWN K. SALMON 2-15-93	STE TE Connectivity	
DIMENSIONS: mm[INCHES]		CHK R. SWING 2-15-93		
TOLERANCES UNLESS OTHERWISE SPECIFIED:		APVD C. MARTIN 2-22-93	NAME PIN, MATE-N-LOK™	
0 PLC ± -		PRODUCT SPEC	-	
1 PLC ± -		APPLICATION SPEC	-	
2 PLC ± 0.25 [.010]		SIZE	A2	CAGE CODE
3 PLC ± -		DRAWING NO	00779	G-350079
4 PLC ± -		RESTRICTED TO	-	
ANGLES ± ± -		WEIGHT	-	
MATERIAL SEE TABLE	FINISH SEE TABLE	CUSTOMER DRAWING	SCALE	5:1
		SHEET	1 OF 1	
		REV	U2	

X-ON Electronics

Largest Supplier of Electrical and Electronic Components

Click to view similar products for [Pin & Socket Connectors](#) category:

Click to view products by [TE Connectivity](#) manufacturer:

Other Similar products are found below :

[6450822-1](#) [770392-1](#) [794042-1](#) [796885-1](#) [8-794535-1](#) [PLR3455ACS-222](#) [R929991004](#) [R929993003](#) [1403611-1](#) [1-480349-5](#) [152302-5](#)
[153211-2](#) [1586092-1](#) [1586129-1](#) [1586681-4](#) [1586700-1](#) [1586368-1](#) [1586380-1](#) [1586616-1](#) [1586680-5](#) [16-06-0038](#) [164164-5](#) [1-6609930-1](#)
[172296-1](#) [19-09-2035](#) [200503-1](#) [200788-2](#) [2029090-4](#) [2029095-4](#) [925061-7](#) [293734-4](#) [293737-2](#) [1-765362-4](#) [1871534-1](#) [200833-4](#)
[2008625-2](#) [2029027-2](#) [2029096-4](#) [R929991000](#) [R929991002](#) [R929993000](#) [319-10-101-00-005000](#) [319-10-102-00-001000](#) [319-10-104-00-001000](#) [319-10-105-00-001000](#) [319-10-108-00-001000](#) [319-10-112-00-006000](#) [39-01-8019](#) [319-10-101-00-001000](#) [319-10-102-00-005000](#)