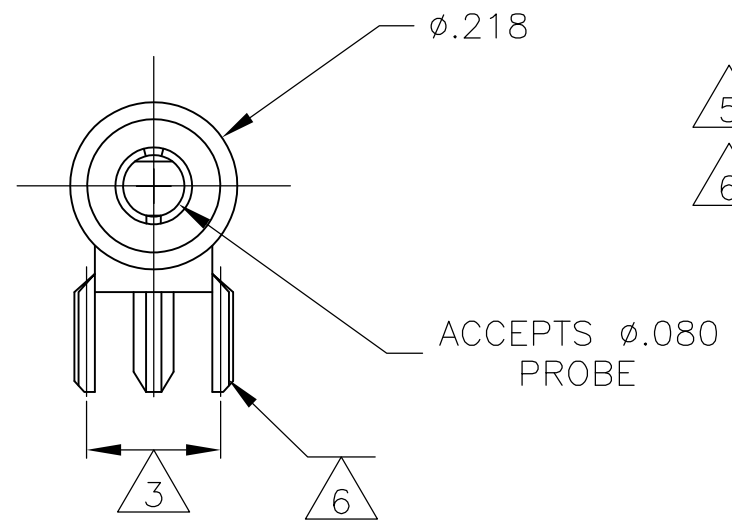
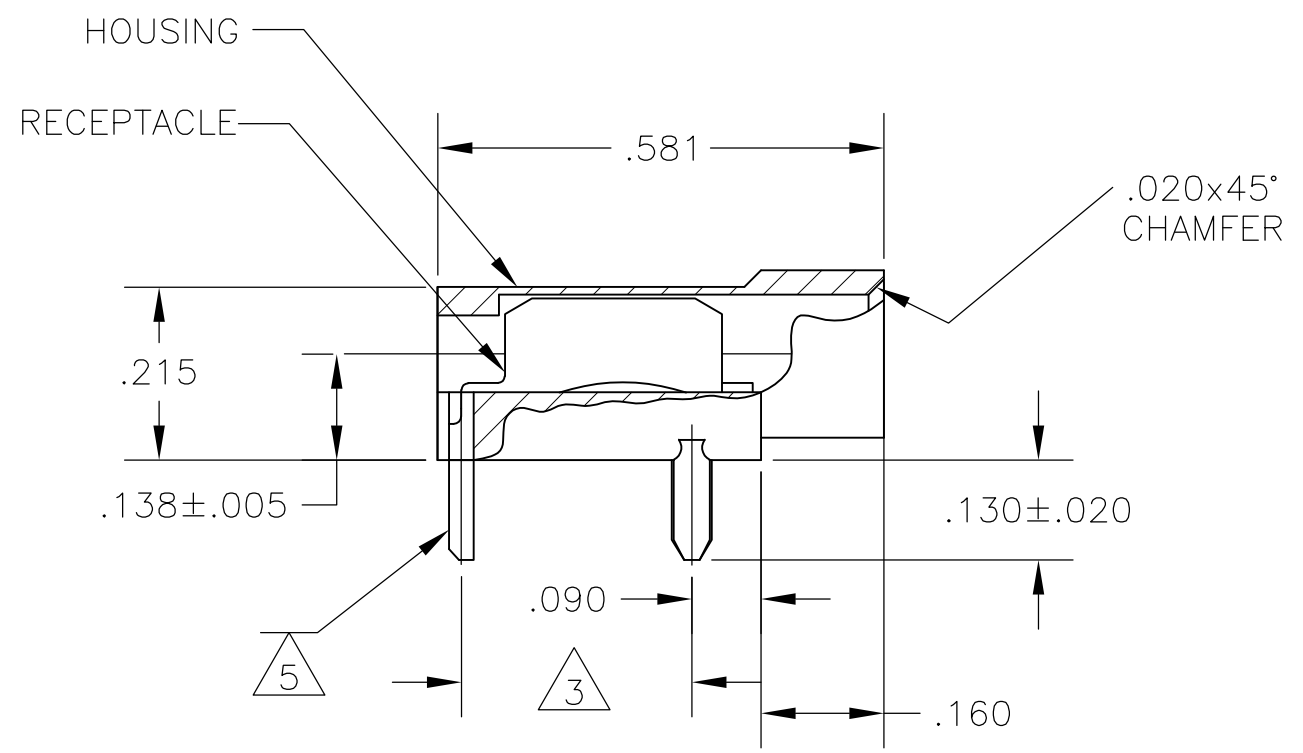


THIS DRAWING IS UNPUBLISHED. RELEASED FOR PUBLICATION
 © COPYRIGHT - By - ALL RIGHTS RESERVED.

LOC	DIST	REVISIONS					
AF	50	P	LTR	DESCRIPTION	DATE	DWN	APVD
			L2	REVISED PER ECO-11-004587	11MAR11	RK	HMR



- 1 OPERATING TEMPERATURE, 105°C MAX
- 2 RETENTION FORCE-16 OZ MIN INITIALLY, 6 OZ MIN AFTER 500 CYCLES.
- 3 REFER TO MOUNTING HOLE PATTERN.
- 5 SINGLE LEG IS LIVE CIRCUIT
- 6 DOUBLE LEGS FOR MECHANICAL MOUNTING ONLY.



RECOMMENDED MOUNTING HOLE PATTERN

	GOLD	WHITE	350180-9
OBSOLETE	GOLD	GRAY	350180-8
	GOLD	VIOLET	350180-7
	GOLD	BLUE	350180-6
	GOLD	GREEN	350180-5
	GOLD	YELLOW	350180-4
	GOLD	ORANGE	350180-3
	GOLD	RED	350180-2
OBSOLETE	GOLD	BROWN	350180-1
	GOLD	BLACK	350180-0
	RECEPTACLE & LEGS FINISH	HOUSING COLOR	ASSY NO.

THIS DRAWING IS A CONTROLLED DOCUMENT.		DWN RAGHAVENDRA 11JUL2008	STE TE Connectivity	
DIMENSIONS: INCHES		CHK JEFF RUTH 11JUL2008		
TOLERANCES UNLESS OTHERWISE SPECIFIED:		APVD ED HOWARD 11JUL2008	NAME	
0 PLC ± -		PRODUCT SPEC		
1 PLC ± -		APPLICATION SPEC		
2 PLC ± .015		SIZE		
3 PLC ± -		CAGE CODE		
4 PLC ± -		DRAWING NO		
ANGLES ± 1° 0'		RESTRICTED TO		
MATERIAL HOUSING, NYLON TYPE 6/6 RECEPTACLE & LEGS, ASTM-B36 ALLOY6		WEIGHT -		
FINISH		A3 00779 C-350180		
		CUSTOMER DRAWING		SCALE 4:1
		SHEET 1 OF 1		REV L2

X-ON Electronics

Largest Supplier of Electrical and Electronic Components

Click to view similar products for [Test Probes](#) category:

Click to view products by [TE Connectivity](#) manufacturer:

Other Similar products are found below :

[6214](#) [6474](#) [815003](#) [923832-BK-B](#) [P-KIT-1](#) [KT-MS001](#) [925250-R](#) [973368101](#) [972318101](#) [972318100](#) [MXHQ87WJ3000](#) [PK106-3](#) [PK2-5MM-102](#) [TAS90](#) [VL1735/45](#) [973368100](#) [972327100](#) [972327101](#) [973995100](#) [973995101](#) [CT3982B-120](#) [MO50-PINS](#) [CT4386](#) [PP023-1](#) [PK1-5MM-127](#) [PP026-1](#) [PK103](#) [PK-ZS-013](#) [P6139B-PK10](#) [PQ215](#) [PQ218](#) [RT-ZI10C](#) [TT-SI 8071](#) [TT-SI 8050](#) [TT-SI 8010A](#) [TT-SI 7005](#) [GE.3421](#) [GE.2521](#) [GE.3121](#) [GE.1511](#) [GE.1521](#) [GE.2511](#) [GE.4511](#) [HVP15B](#) [TT-SI7002](#) [4005](#) [4011](#) [4012](#) [4013](#) [4014](#)