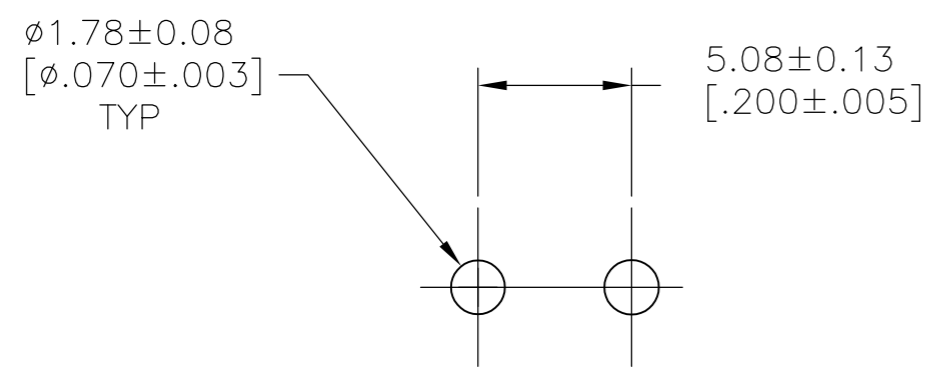
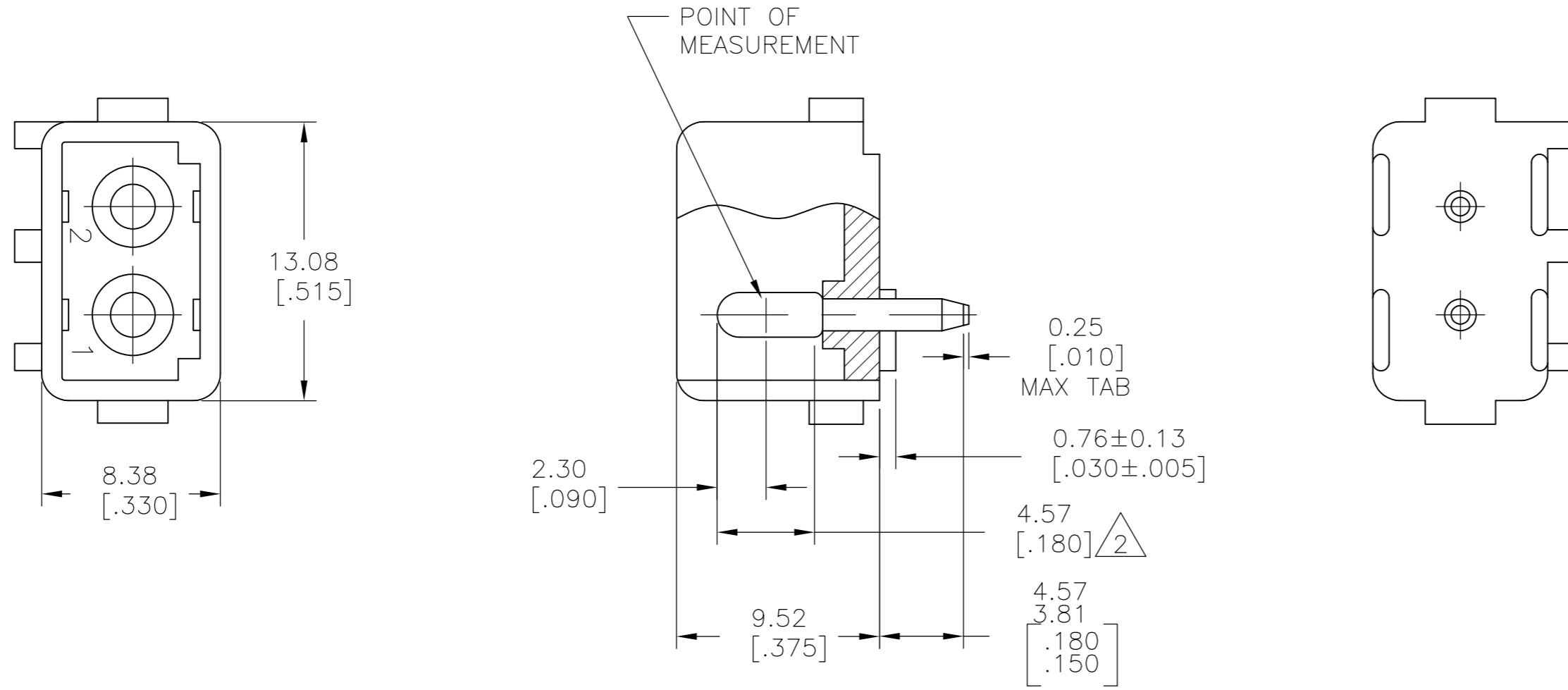


THIS DRAWING IS UNPUBLISHED. RELEASED FOR PUBLICATION
 © COPYRIGHT - By - ALL RIGHTS RESERVED.

REVISIONS				
P	LTR	DESCRIPTION	DATE	APVD
S3		REVISED PER ECR-16-007548	28JUL2016	BW EW

- 1 PARTS COMPLY WITH TE SOLDERABILITY SPEC NO. 109-11-3.
- 2 CONTACT IS PLATED OVERALL WITH 0.00127[.000050] NICKEL THEN 0.000762[.000030] GOLD OVER CONTACT LENGTH INDICATED AND TIN PLATED ON SOLDER TAIL END.



RECOMMENDED LAYOUT FOR
 1.57[.062] THICK P.C. BOARD

OBSOLETE	COPPER ALLOY-PRE TIN	NYLON, NATURAL UL94V-0	350209-3
	COPPER ALLOY-GOLD 2	NYLON, NATURAL UL94V-2	350209-2
	COPPER ALLOY-PRE TIN	NYLON, NATURAL UL94V-2	350209-1
	PIN MAT'L & COLOR	HSG, MAT'L & COLOR	ASS'Y NUMBER

THIS DRAWING IS A CONTROLLED DOCUMENT.		DWN 18MAR09 RAGHAVENDRA		
DIMENSIONS: mm [INCHES]		CHK 18MAR09 SARVER MICHAEL		
TOLERANCES UNLESS OTHERWISE SPECIFIED:		APVD 18MAR09 SARVER MICHAEL	NAME 2 CIRCUIT MATE-N-LOK P.C. BOARD HEADER	
0 PLC ± - 1 PLC ± - 2 PLC ± - 3 PLC ± 0.38[.015] 4 PLC ± - ANGLES ± 1°		PRODUCT SPEC -	SIZE A2	CAGE CODE 00779
MATERIAL SEE TABLE		FINISH SEE TABLE	WEIGHT 0.000000	DRAWING NO C=350209
		CUSTOMER DRAWING		RESTRICTED TO -
		SCALE 4:1	SHEET 1 of 1	REV S3

X-ON Electronics

Largest Supplier of Electrical and Electronic Components

Click to view similar products for [Pin & Socket Connectors](#) category:

Click to view products by [TE Connectivity](#) manufacturer:

Other Similar products are found below :

[6450822-1](#) [770392-1](#) [794042-1](#) [796885-1](#) [8-794535-1](#) [PLR3455ACS-222](#) [R929991004](#) [R929993003](#) [1403611-1](#) [1-480349-5](#) [152302-5](#)
[153211-2](#) [1586092-1](#) [1586129-1](#) [1586681-4](#) [1586700-1](#) [1586368-1](#) [1586380-1](#) [1586616-1](#) [1586680-5](#) [16-06-0038](#) [164164-5](#) [1-6609930-1](#)
[172296-1](#) [19-09-2035](#) [200503-1](#) [200788-2](#) [2029090-4](#) [2029095-4](#) [925061-7](#) [293734-4](#) [293737-2](#) [1-765362-4](#) [1871534-1](#) [200833-4](#)
[2008625-2](#) [2029027-2](#) [2029096-4](#) [R929991000](#) [R929991002](#) [R929993000](#) [319-10-101-00-005000](#) [319-10-102-00-001000](#) [319-10-104-00-001000](#) [319-10-105-00-001000](#) [319-10-108-00-001000](#) [319-10-112-00-006000](#) [39-01-8019](#) [319-10-101-00-001000](#) [319-10-102-00-005000](#)