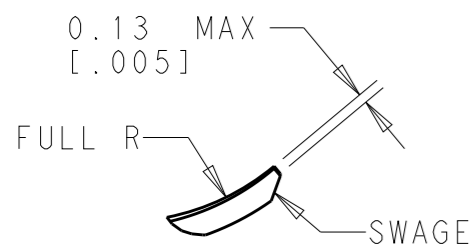


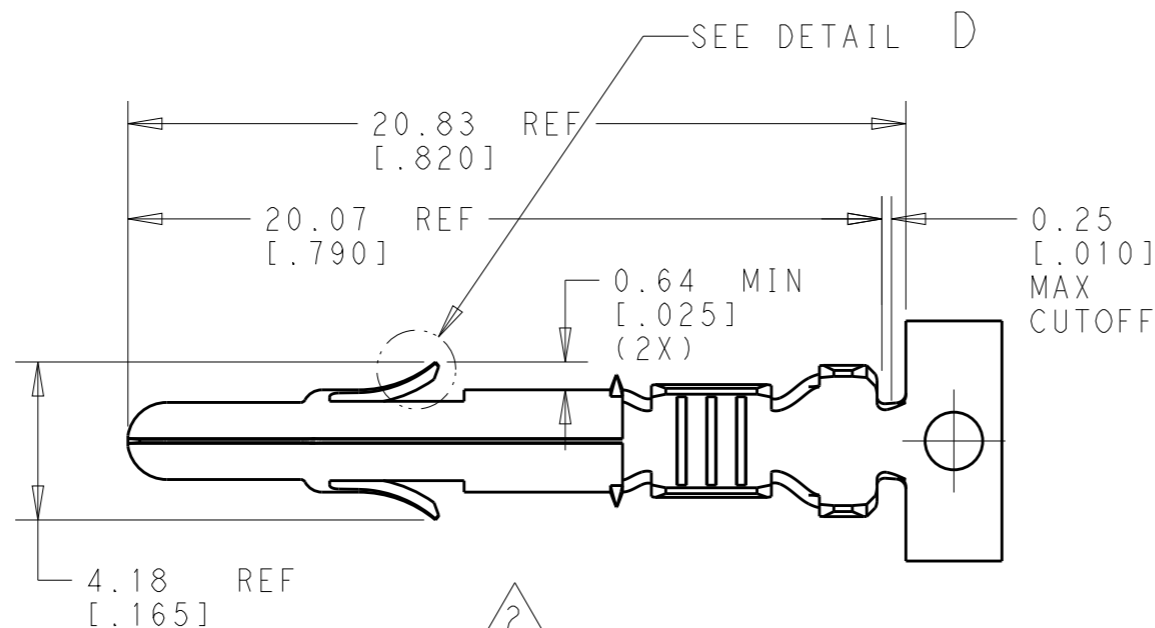
THIS DRAWING IS UNPUBLISHED. RELEASED FOR PUBLICATION 2019
© COPYRIGHT 2019 BY - ALL RIGHTS RESERVED.

REVISIONS

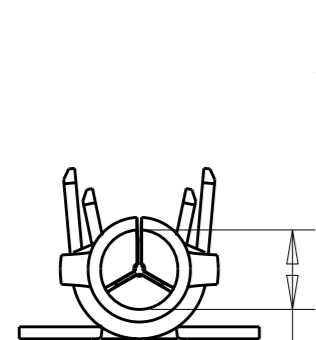
| P | LTR | DESCRIPTION | DATE | DWN | APVD |
|---|-----|---------------------------|-----------|-----|------|
| | AA | REVISED PER ECO-19-006991 | 15MAY2019 | BKW | SF |
| | AA1 | REVISED PER ECO-19-009144 | 17JUN2019 | BKW | SF |
| | AA2 | REVISED PER ECO-19-011413 | 24JUL2019 | BKW | SF |
| | AA3 | REVISED PER ECO-19-012708 | 16AUG2019 | BKW | SF |



DETAIL D
SCALE 10:1

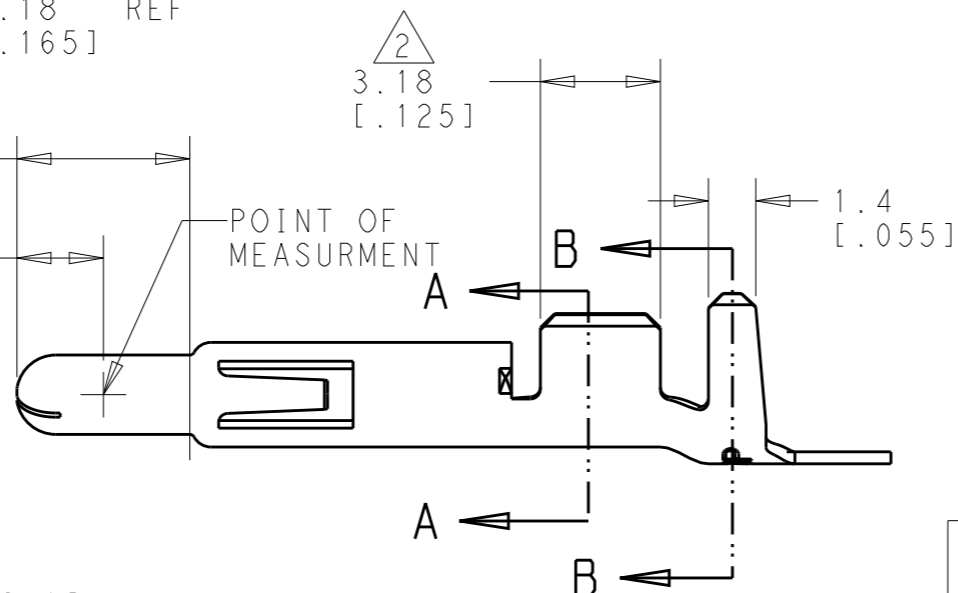


- 1 PLATED WITH 0.00076 [.000030] GOLD, OVER 0.00127 [.000050] NICKEL UNDERPLATE.
- 2 PLATED INTERNALLY WITH 0.00076 [.000050] GOLD.
- 3 INSULATION RANGE: 1.52-3.30 [.060-.130] DIAMETER



1 4.57 [.180]
2.29 [.090]

Ø 2.08-2.13 [.0815-.0840]



2.67-3.30 [.105-.130]

3.69-4.31 [.145-.170]

SECTION A-A

SECTION B-B

| LOOSE PIECE (REF) | FINISH | MATERIAL | PART NUMBER |
|-------------------|----------|--------------------|-------------|
| 350547-7 | GOLD 1 | 0.30 [.012] BRASS | 350218-7 |
| 350547-6 | GOLD 1 | 0.30 [.012] PH BRZ | 350218-6 |
| 350547-3 | PRE-TIN | 0.30 [.012] PH BRZ | 350218-3 |
| 350547-2 | GOLD 1 2 | 0.30 [.012] BRASS | 350218-2 |
| 350547-1 | PRE-TIN | 0.30 [.012] BRASS | 350218-1 |

THIS DRAWING IS A CONTROLLED DOCUMENT.

DWN B. WEAVER 19SEP2018
CHK S. FERNANDES 19SEP2018
APVD S. FERNANDES 19SEP2018



| | |
|------------------------|--|
| DIMENSIONS: mm [IN] | TOLERANCES UNLESS OTHERWISE SPECIFIED: |
| | 0 PLC ±- |
| | 1 PLC ±- |
| | 2 PLC ±- |
| | 3 PLC ±0.38 [.015] |
| | 4 PLC ±- |
| | ANGLES ±- |
| MATERIAL | FINISH |
| - | - |

PRODUCT SPEC 108-1031
APPLICATION SPEC 114-1010
WEIGHT -
CUSTOMER DRAWING

| | | | |
|-----------------------------------|-----------|--------------|---------------|
| NAME PIN, UNIVERSAL MATE-N-LOK | | | |
| SIZE | CAGE CODE | DRAWING NO | RESTRICTED TO |
| A3 | 00779 | C-350218 | - |
| SCALE 5:1 | | SHEET 1 OF 1 | REV AA3 |

INSULATION RANGE: 3
WIRE RANGE: 20-14 AWG

X-ON Electronics

Largest Supplier of Electrical and Electronic Components

Click to view similar products for [Pin & Socket Connectors](#) category:

Click to view products by [TE Connectivity](#) manufacturer:

Other Similar products are found below :

[6450822-1](#) [770392-1](#) [794042-1](#) [796885-1](#) [8-794535-1](#) [PLR3455ACS-222](#) [R929991004](#) [R929993003](#) [1403611-1](#) [1-480349-5](#) [152302-5](#)
[153211-2](#) [1586092-1](#) [1586129-1](#) [1586681-4](#) [1586700-1](#) [1586368-1](#) [1586380-1](#) [1586616-1](#) [1586680-5](#) [16-06-0038](#) [164164-5](#) [1-6609930-1](#)
[172296-1](#) [19-09-2035](#) [200503-1](#) [200788-2](#) [2029090-4](#) [2029095-4](#) [925061-7](#) [293734-4](#) [293737-2](#) [1-765362-4](#) [1871534-1](#) [200833-4](#)
[2008625-2](#) [2029027-2](#) [2029096-4](#) [R929991000](#) [R929991002](#) [R929993000](#) [319-10-101-00-005000](#) [319-10-102-00-001000](#) [319-10-104-00-001000](#) [319-10-105-00-001000](#) [319-10-108-00-001000](#) [319-10-112-00-006000](#) [39-01-8019](#) [319-10-101-00-001000](#) [319-10-102-00-005000](#)