

THIS DRAWING IS UNPUBLISHED.

RELEASED FOR PUBLICATION

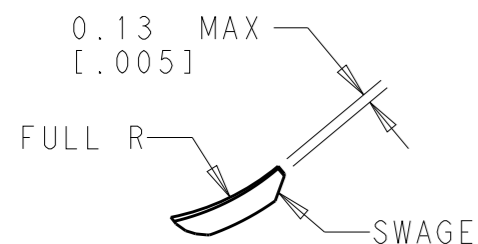
2019

© COPYRIGHT 2019 BY -

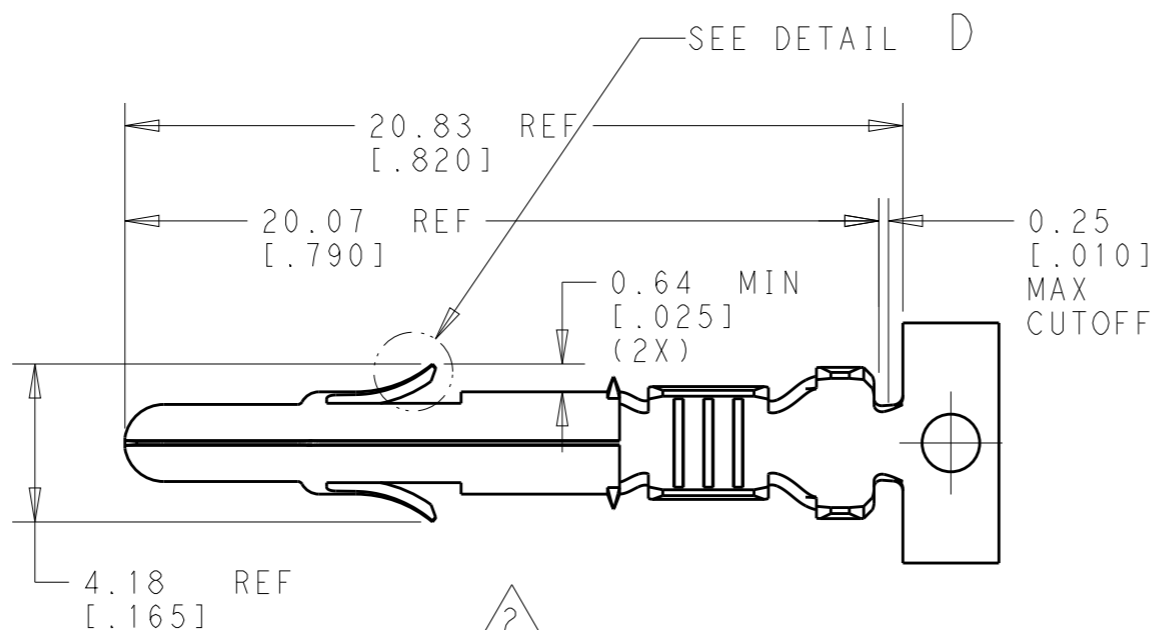
ALL RIGHTS RESERVED.

REVISIONS

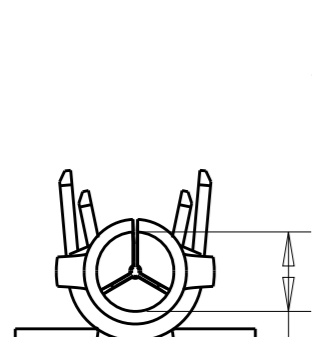
P	LTR	DESCRIPTION	DATE	DWN	APVD
	AA	REVISED PER ECO-19-006991	15MAY2019	BKW	SF
	AA1	REVISED PER ECO-19-009144	17JUN2019	BKW	SF
	AA2	REVISED PER ECO-19-011413	24JUL2019	BKW	SF
	AA3	REVISED PER ECO-19-012708	16AUG2019	BKW	SF



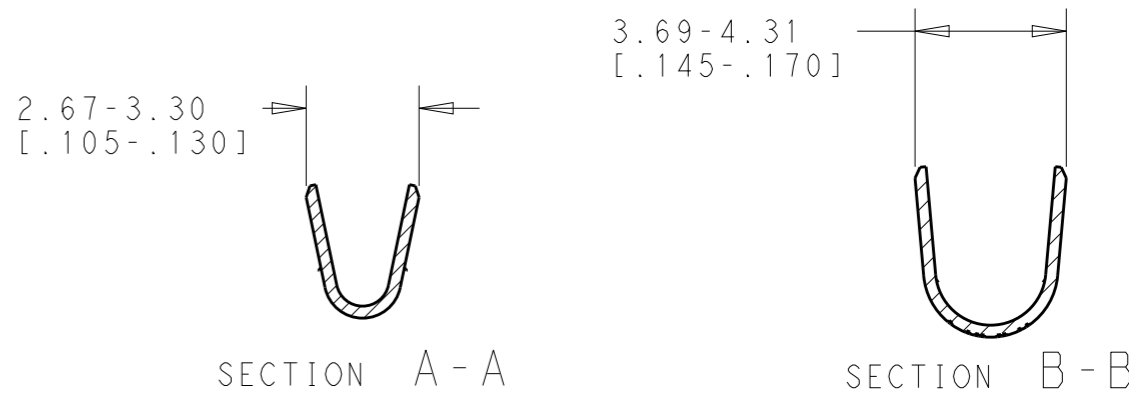
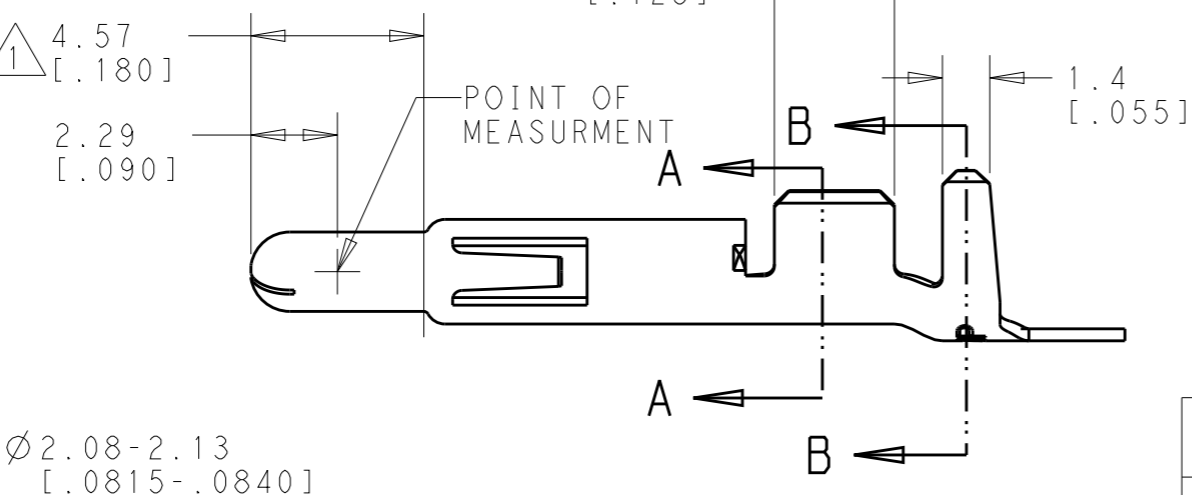
DETAIL D
SCALE 10:1



- 1 PLATED WITH 0.00076 [.000030] GOLD, OVER 0.00127 [.000050] NICKEL UNDERPLATE.
- 2 PLATED INTERNALLY WITH 0.00076 [.000050] GOLD.
- 3 INSULATION RANGE: 1.52-3.30 [.060-.130] DIAMETER



- 1 4.57 [.180]
- 2.29 [.090]



Ø 2.08-2.13
[.0815-.0840]

LOOSE PIECE (REF)	FINISH	MATERIAL	PART NUMBER
350547-7	GOLD 1	0.30 [.012] BRASS	350218-7
350547-6	GOLD 1	0.30 [.012] PH BRZ	350218-6
350547-3	PRE-TIN	0.30 [.012] PH BRZ	350218-3
350547-2	GOLD 1 2	0.30 [.012] BRASS	350218-2
350547-1	PRE-TIN	0.30 [.012] BRASS	350218-1

THIS DRAWING IS A CONTROLLED DOCUMENT.

DWN B. WEAVER 19SEP2018
 CHK S. FERNANDES 19SEP2018
 APVD S. FERNANDES 19SEP2018



DIMENSIONS: mm [IN]	TOLERANCES UNLESS OTHERWISE SPECIFIED:
	0 PLC ±-
	1 PLC ±-
	2 PLC ±-
	3 PLC ±0.38 [.015]
	4 PLC ±-
	ANGLES ±-
MATERIAL	FINISH
-	-

INSULATION RANGE: 3

WIRE RANGE:
20-14 AWG

PRODUCT SPEC 108-1031
 APPLICATION SPEC 114-1010
 WEIGHT -
 CUSTOMER DRAWING

NAME PIN, UNIVERSAL MATE-N-LOK

SIZE A3	CAGE CODE 00779	DRAWING NO C-350218	RESTRICTED TO -
---------	-----------------	---------------------	-----------------

SCALE 5:1 SHEET 1 OF 1 REV AA3

X-ON Electronics

Largest Supplier of Electrical and Electronic Components

Click to view similar products for [Pin & Socket Connectors](#) category:

Click to view products by [TE Connectivity](#) manufacturer:

Other Similar products are found below :

[6450822-1](#) [770392-1](#) [794042-1](#) [796885-1](#) [8-794535-1](#) [PLR3455ACS-222](#) [R929991004](#) [R929993003](#) [1403611-1](#) [1-480349-5](#) [152302-5](#)
[153211-2](#) [1586092-1](#) [1586129-1](#) [1586681-4](#) [1586700-1](#) [1586368-1](#) [1586380-1](#) [1586616-1](#) [1586680-5](#) [16-06-0038](#) [164164-5](#) [1-6609930-1](#)
[172296-1](#) [19-09-2035](#) [200503-1](#) [200788-2](#) [2029090-4](#) [2029095-4](#) [925061-7](#) [293734-4](#) [293737-2](#) [1-765362-4](#) [1871534-1](#) [200833-4](#)
[2008625-2](#) [2029027-2](#) [2029096-4](#) [R929991000](#) [R929991002](#) [R929993000](#) [319-10-101-00-005000](#) [319-10-102-00-001000](#) [319-10-104-00-001000](#) [319-10-105-00-001000](#) [319-10-108-00-001000](#) [319-10-112-00-006000](#) [39-01-8019](#) [319-10-101-00-001000](#) [319-10-102-00-005000](#)