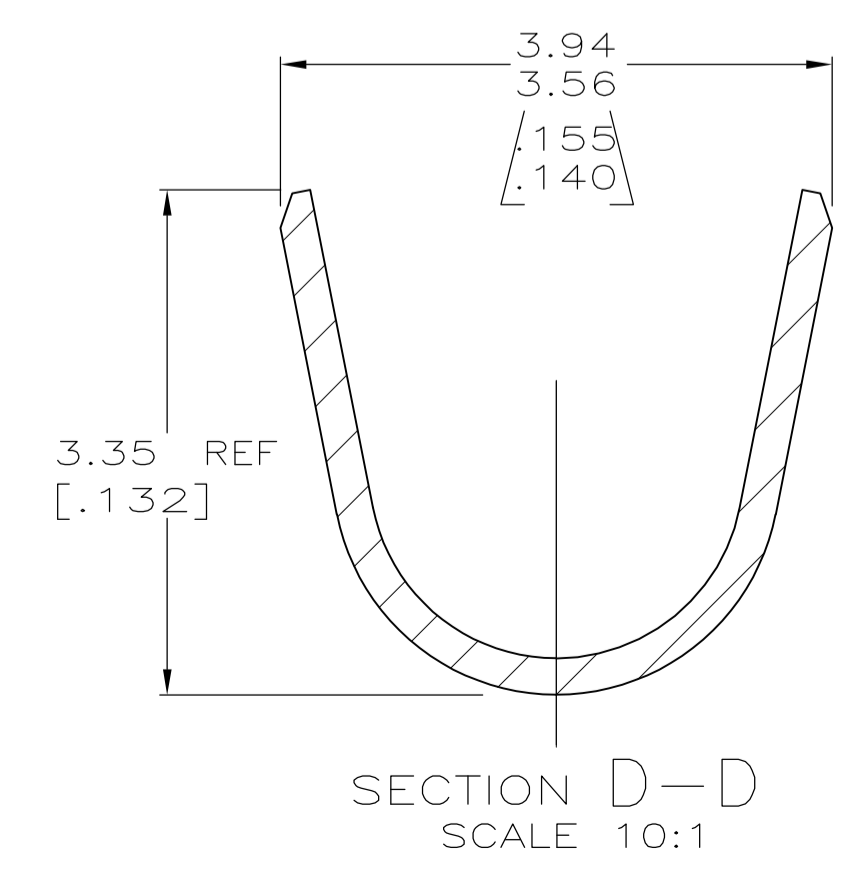
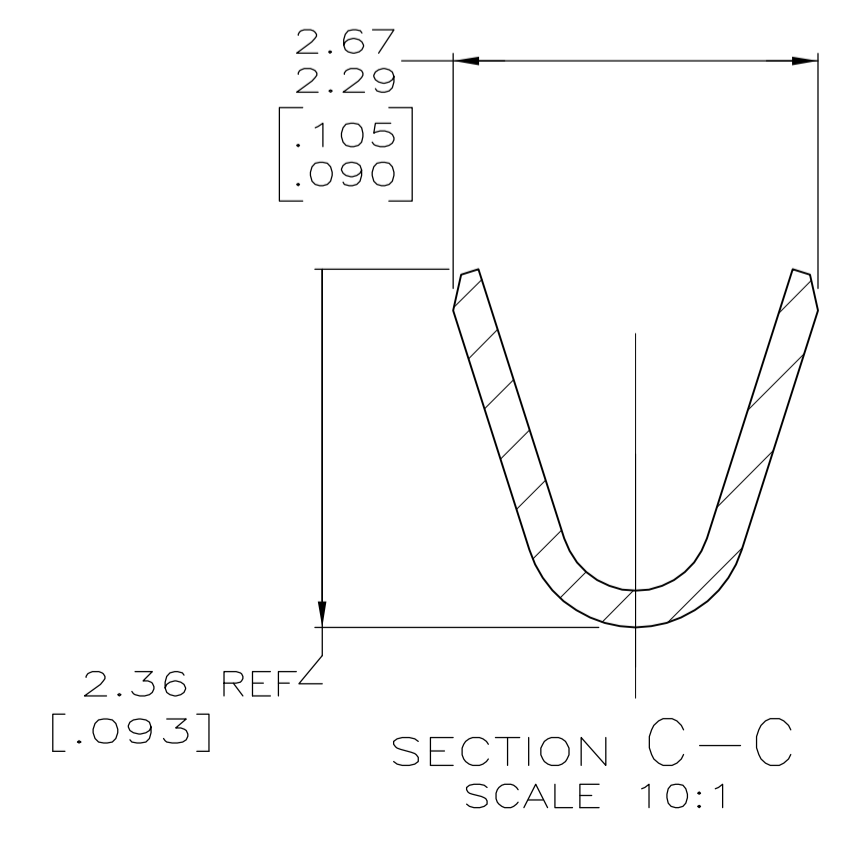
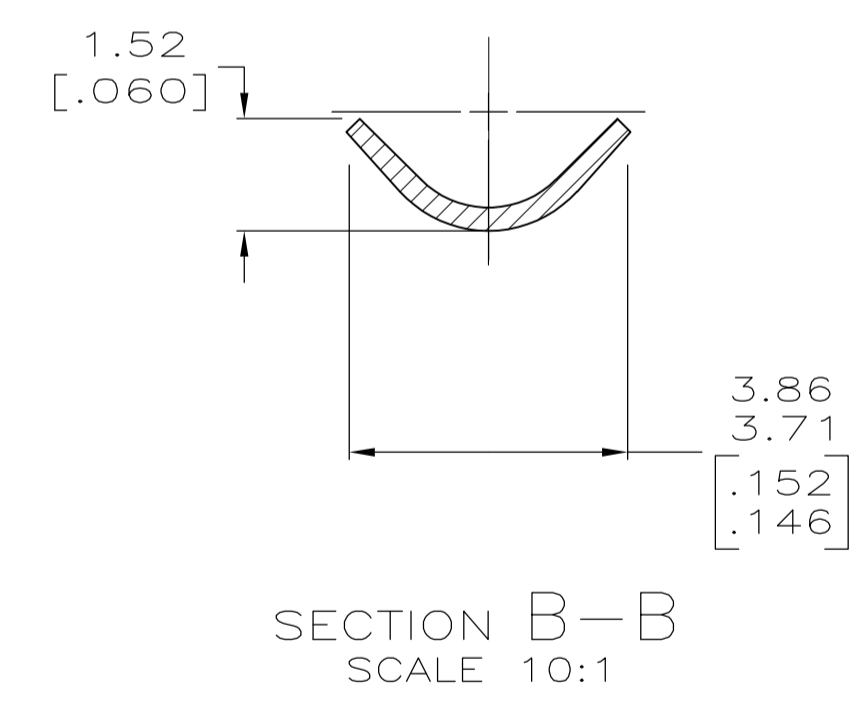
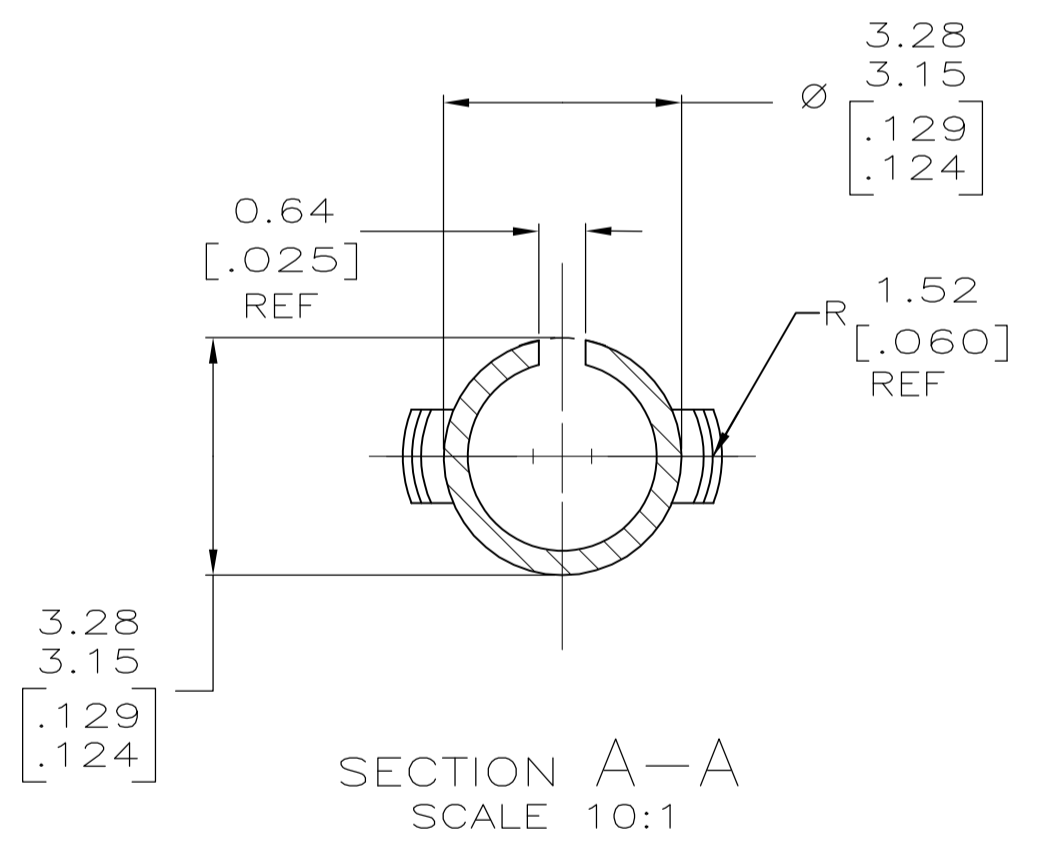
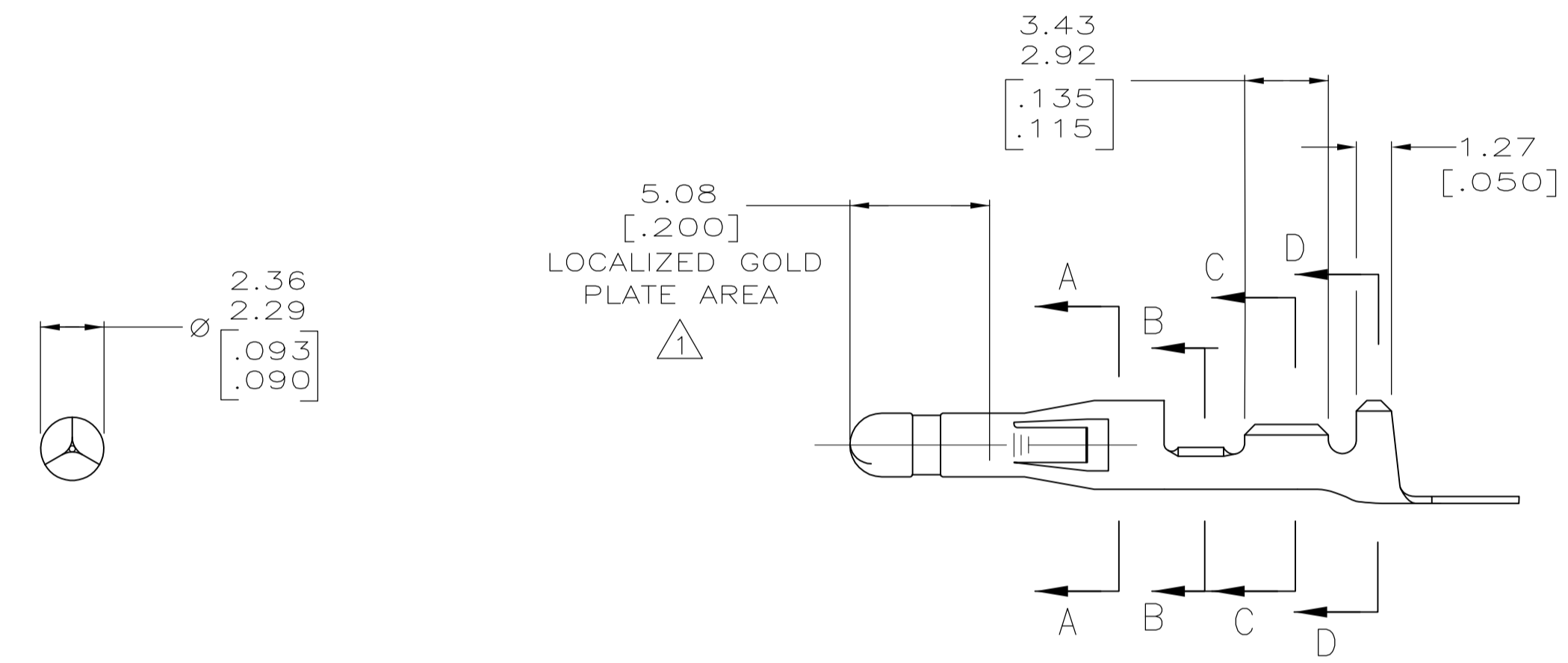
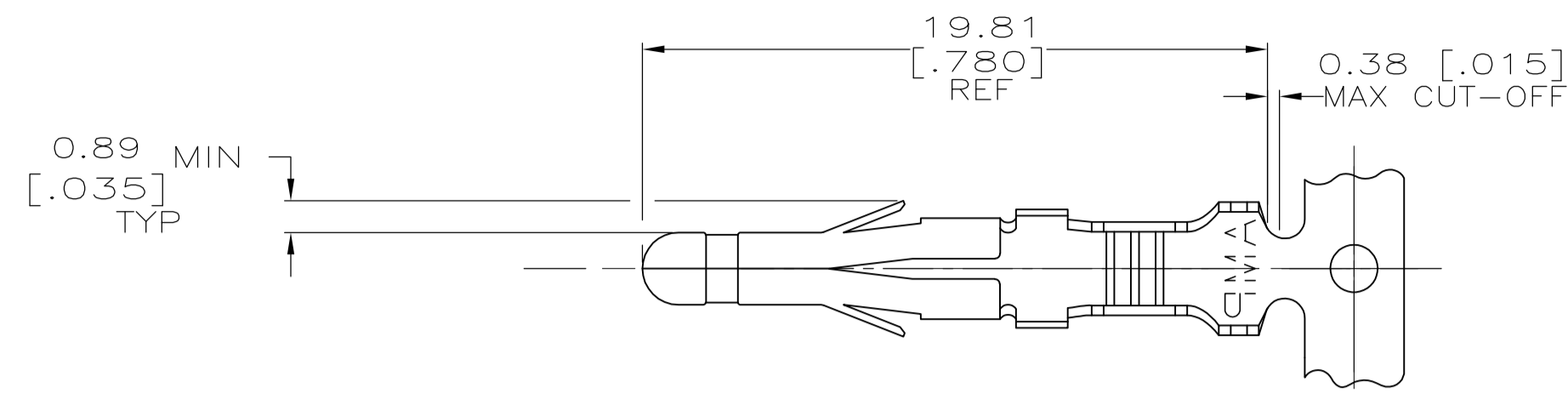


LOC		DIST		P		F		ZONE		LTR		REVISIONS		DATE	APPD
CM	53											AD1	REV PER ECR-15-007412	06-20-15	SC



- 1 NICKEL UNDER PLATE 0.00127 [0.000050] MIN THICK ON ENTIRE PART WITH 0.00076 [0.000030] MIN GOLD IN LOCALIZED PLATE AREA.
- 2 WIRE RANGE: 0.3 - 0.84mm<sup>2</sup> (24-18 AWG).
- 3 INSULATION RANGE: 2.79 [.110] MAX. DIA.
- 4 DIMENSIONS IN BRACKETS ARE IN INCHES.

**METRIC**

THIS DRAWING IS A CONTROLLED DOCUMENT FOR AMP INCORPORATED. IT IS SUBJECT TO CHANGE AND THE CONTROLLING ENGINEERING ORGANIZATION SHOULD BE CONTACTED FOR THE LATEST REVISION.

FINISH		MATERIAL		PART NO	
△		0.25 [.010] BRASS		350418-5	
PRE-TIN		0.25 [.010] BRASS		350418-1	

DO NOT SCALE PRINT. UNLESS SPECIFIED DIMENSIONS IN mm [INCHES] TOLERANCES ON:		DR 9-3-92 N. GANNON		<b>AMP</b> AMP Incorporated Harrisburg, PA 17105-3608 NAME .093 PIN COMMERCIAL PIN AND SOCKET	
2 PLC DEC ± -		CHK 9-3-92 R. SWING			
3 PLC DEC ± 0.13 [.005]		APPD 9-8-92 C. CASH			
ANGLES ± -		APPD 9-8-92 C. CASH			
MATERIAL		PRODUCT SPEC		-	
SEE TABLE		APPLICATION SPEC		-	
FINISH		WEIGHT		-	
-		-		-	

SIZE	CAGE CODE	DRAWING NO
D	00779	C-350418
SCALE	5:1	SHEET 10F 1

## X-ON Electronics

Largest Supplier of Electrical and Electronic Components

*Click to view similar products for [Pin & Socket Connectors](#) category:*

*Click to view products by [TE Connectivity](#) manufacturer:*

Other Similar products are found below :

[6450822-1](#) [770392-1](#) [794042-1](#) [796885-1](#) [8-794535-1](#) [PLR3455ACS-222](#) [R929991004](#) [R929993003](#) [1403611-1](#) [1-480349-5](#) [152302-5](#)  
[153211-2](#) [1586092-1](#) [1586129-1](#) [1586681-4](#) [1586700-1](#) [1586368-1](#) [1586380-1](#) [1586616-1](#) [1586680-5](#) [16-06-0038](#) [164164-5](#) [1-6609930-1](#)  
[172296-1](#) [19-09-2035](#) [200503-1](#) [200788-2](#) [2029090-4](#) [2029095-4](#) [925061-7](#) [293734-4](#) [293737-2](#) [1-765362-4](#) [1871534-1](#) [200833-4](#)  
[2008625-2](#) [2029027-2](#) [2029096-4](#) [R929991000](#) [R929991002](#) [R929993000](#) [319-10-101-00-005000](#) [319-10-102-00-001000](#) [319-10-104-00-001000](#) [319-10-105-00-001000](#) [319-10-108-00-001000](#) [319-10-112-00-006000](#) [39-01-8019](#) [319-10-101-00-001000](#) [319-10-102-00-005000](#)