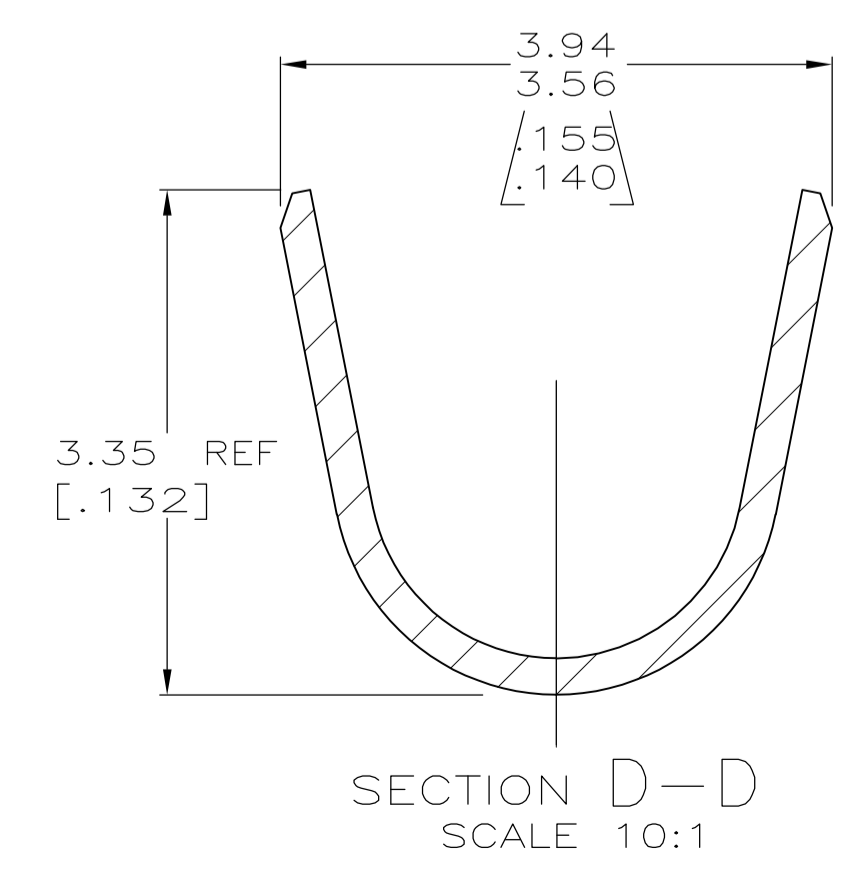
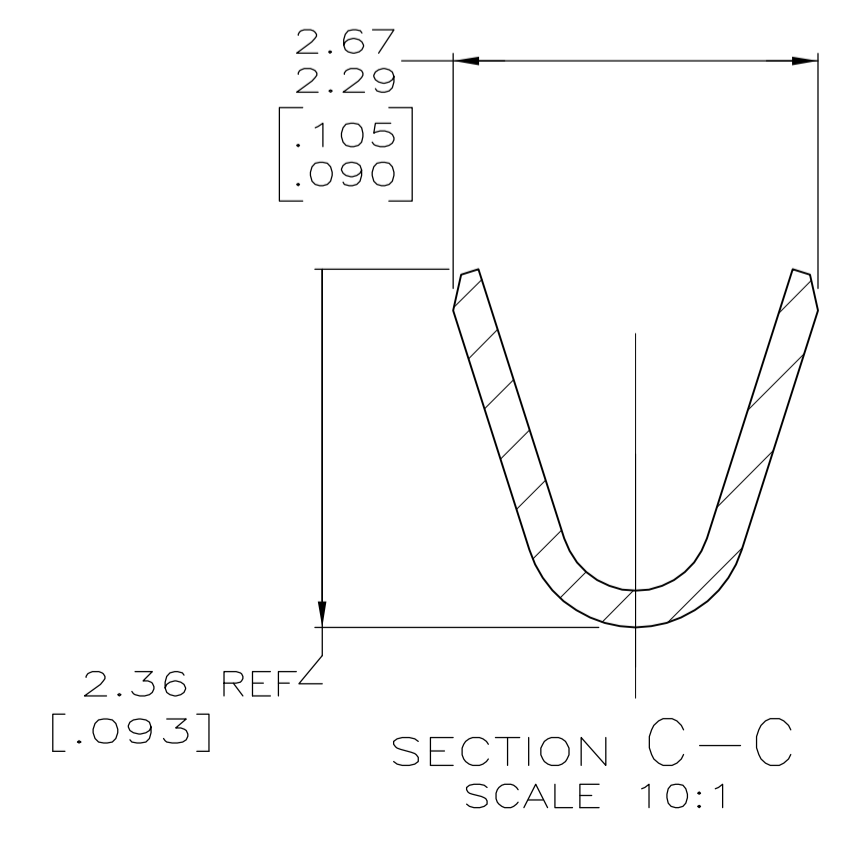
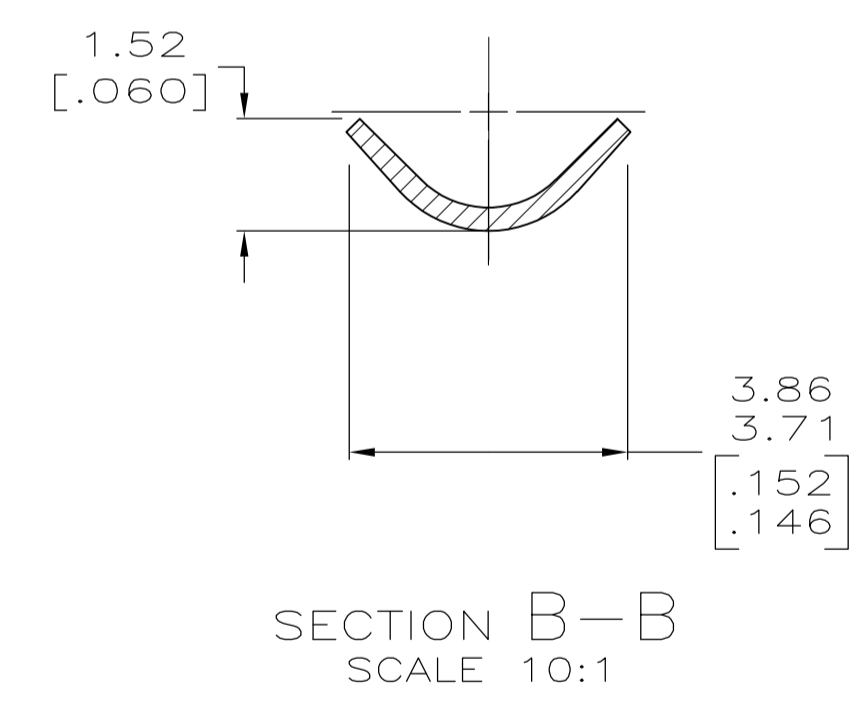
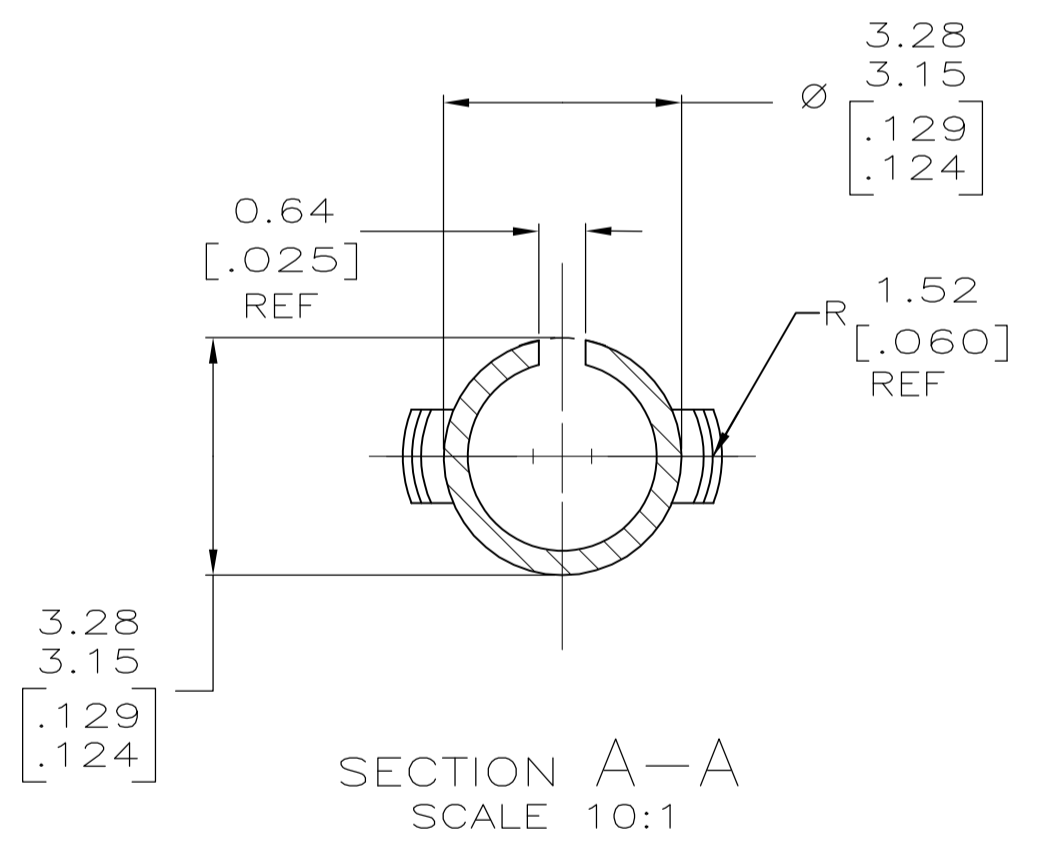
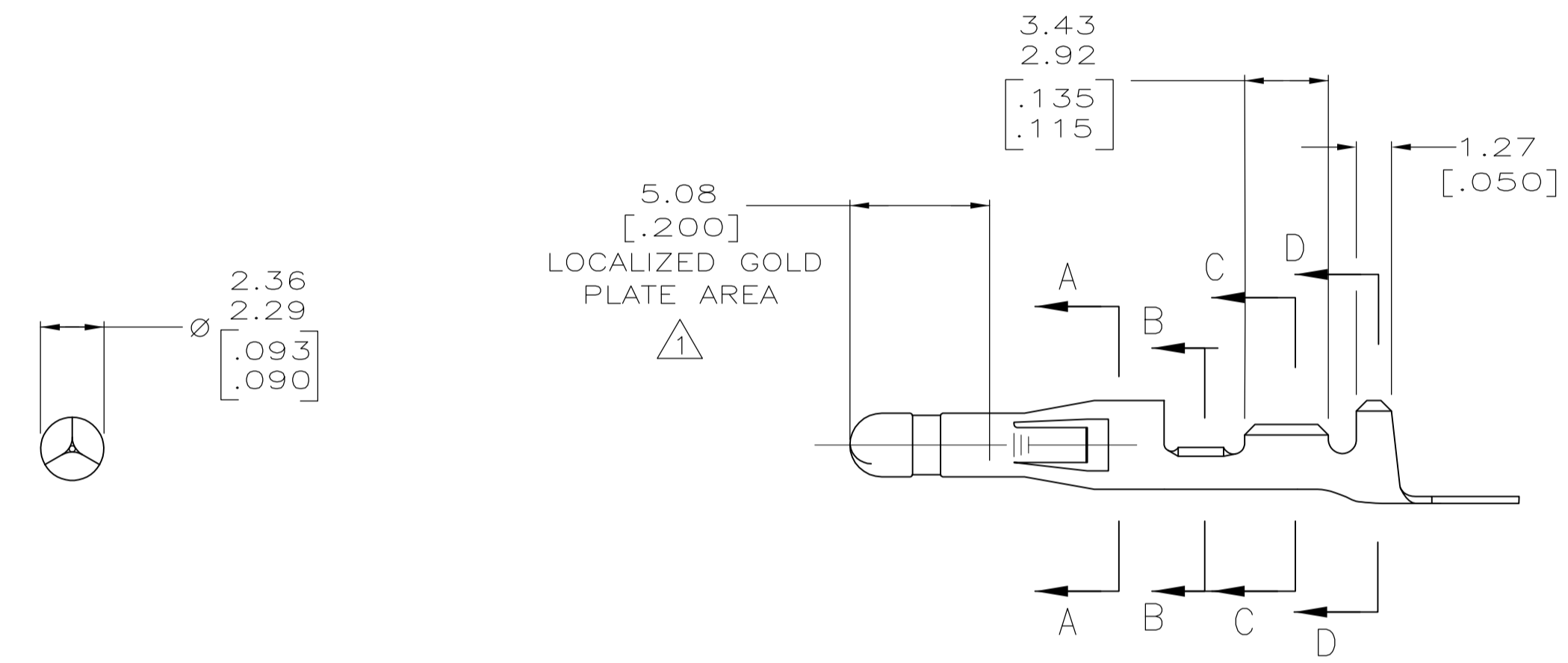
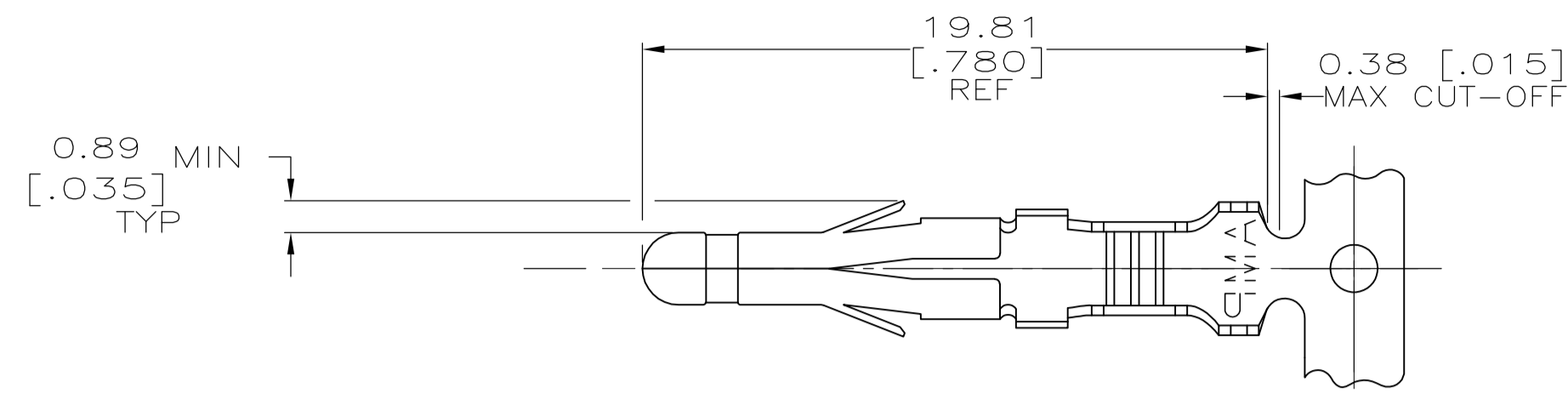


LOC		DIST		ZONE		LTR		REVISIONS		DATE	APPD
CM	53	P	F					AD1	REV PER ECR-15-007412	06-20-15	SC 02



- 1 NICKEL UNDER PLATE 0.00127 [0.000050] MIN THICK ON ENTIRE PART WITH 0.00076 [0.000030] MIN GOLD IN LOCALIZED PLATE AREA.
- 2 WIRE RANGE: 0.3 - 0.84mm<sup>2</sup> (24-18 AWG).
- 3 INSULATION RANGE: 2.79 [.110] MAX. DIA.
- 4 DIMENSIONS IN BRACKETS ARE IN INCHES.

**METRIC**

THIS DRAWING IS A CONTROLLED DOCUMENT FOR AMP INCORPORATED. IT IS SUBJECT TO CHANGE AND THE CONTROLLING ENGINEERING ORGANIZATION SHOULD BE CONTACTED FOR THE LATEST REVISION.

FINISH	MATERIAL	PART NO
△	0.25 [.010] BRASS	350418-5
PRE-TIN	0.25 [.010] BRASS	350418-1

DO NOT SCALE PRINT. UNLESS SPECIFIED DIMENSIONS IN mm [INCHES] TOLERANCES ON:	DR 9-3-92 N. GANNON	<b>AMP</b> AMP Incorporated Harrisburg, PA 17105-3608 NAME .093 PIN COMMERCIAL PIN AND SOCKET
2 PLC DEC ± -	CHK 9-3-92 R. SWING	
3 PLC DEC ± 0.13 [.005]	APPD 9-8-92 C. CASH	
ANGLES ± -	APPD 9-8-92 C. CASH	
MATERIAL	PRODUCT SPEC	
SEE TABLE	APPLICATION SPEC	SIZE D
FINISH	WEIGHT -	CAGE CODE 00779
		DRAWING NO C-350418
		SCALE 5:1
		SHEET 10F 1

## X-ON Electronics

Largest Supplier of Electrical and Electronic Components

*Click to view similar products for [Pin & Socket Connectors](#) category:*

*Click to view products by [TE Connectivity](#) manufacturer:*

Other Similar products are found below :

[6450822-1](#) [770392-1](#) [794042-1](#) [796885-1](#) [8-794535-1](#) [881459-2](#) [R929993003](#) [1-350779-3](#) [1403611-1](#) [1-480349-5](#) [1586092-1](#) [1586129-1](#)  
[1586487-1](#) [1586681-4](#) [1586700-1](#) [1586065-1](#) [1586077-1](#) [1586368-1](#) [1586380-1](#) [1586680-5](#) [1586681-2](#) [1604996-1](#) [16-06-0038](#) [164164-5](#) [1-](#)  
[6609930-1](#) [172296-1](#) [1-794714-6](#) [19-09-2035](#) [1969804-1](#) [200503-1](#) [200788-2](#) [201046-7](#) [202648-4](#) [2029076-2](#) [2029090-4](#) [2029095-4](#) [2-](#)  
[66102-6](#) [925061-7](#) [926681-1](#) [293734-4](#) [293737-2](#) [1-765362-4](#) [1-794606-3](#) [1871534-1](#) [1969795-1](#) [1969798-1](#) [1969800-1](#) [200833-4](#)  
[2008625-2](#) [2029027-2](#)