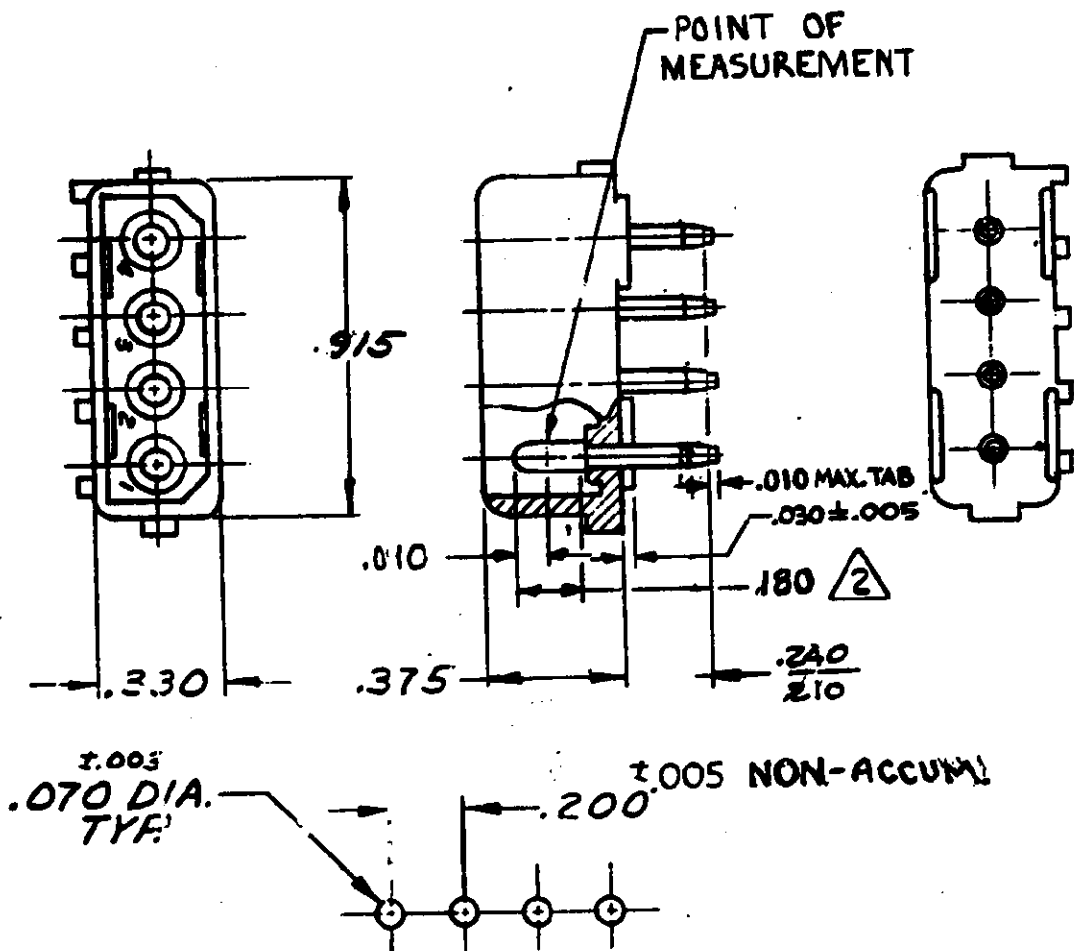


S



RECOMMENDED LAYOUT FOR
.125 THICK P.C. BOARD

1. PARTS COMPLY WITH TE SOLDERABILITY

SPEC. NO. 109-11-3

2 CONTACT IS PLATED OVERALL WITH .000050 NICKEL, THEN .000030 GOLD OVER CONTACT LENGTH INDICATED AND TIN PLATED ON SOLDER TAIL END.

OBSOLETE

9-350424-2	NYLON-BLACK	COPPER ALLOY-GOLD	2
8-350424-2	-GRAY	-	-
7-350424-2	-VIOLET	-	-
6-350424-2	-BLUE	-	-
5-350424-2	-GREEN	-	-
4-350424-2	-YELLOW	-	-
3-350424-2	-ORANGE	-	-
2-350424-2	-RED	-	-
1-350424-2	-BROWN	-	-
350424-2	-NATURAL	-GOLD	2
9-350424-1	-BLACK	-PRE-TIN	-
8-350424-1	-GRAY	-	-
7-350424-1	-VIOLET	-	-
6-350424-1	-BLUE	-	-
5-350424-1	-GREEN	-	-
4-350424-1	-YELLOW	-	-
3-350424-1	-ORANGE	-	-
2-350424-1	-RED	-	-
1-350424-1	-BROWN	-	-
350424-1	NYLON-NATURAL	COPPER ALLOY- PRE-TIN	-
ASSEMBLY NO.	HSG. MATL & COLOR.	PIN MATL & FINISH	

K3	REVISED PER ECR-15-006702	NK	PQ	29/JUL/2017
LTB	REVISION RECORD	DR	CHK	DATE

9. Elm... 6-27-73	MATERIAL AND FINISH SEE TABLE	TE Connectivity	
6-78-73	WIRE - RANGE - INSULATION	CLASS	TYPE
	TOLERANCE EXCEPT AS NOTED .015 2 1 0 1	CM	B
	NAME 4 CIRCUIT MATE-N-LOK P.C. BOARD PIN HEADER	NO	350424
			K3

DIMENSIONS IN INCHES. DO NOT SCALE PRINT.

X-ON Electronics

Largest Supplier of Electrical and Electronic Components

Click to view similar products for [Pin & Socket Connectors](#) category:

Click to view products by [TE Connectivity](#) manufacturer:

Other Similar products are found below :

[6450822-1](#) [770392-1](#) [794042-1](#) [796885-1](#) [8-794535-1](#) [PLR3455ACS-222](#) [R929991004](#) [R929993003](#) [1403611-1](#) [1-480349-5](#) [152302-5](#)
[153211-2](#) [1586092-1](#) [1586129-1](#) [1586681-4](#) [1586700-1](#) [1586368-1](#) [1586380-1](#) [1586616-1](#) [1586680-5](#) [16-06-0038](#) [164164-5](#) [1-6609930-1](#)
[172296-1](#) [19-09-2035](#) [200503-1](#) [200788-2](#) [2029090-4](#) [2029095-4](#) [925061-7](#) [293734-4](#) [293737-2](#) [1-765362-4](#) [1871534-1](#) [200833-4](#)
[2008625-2](#) [2029027-2](#) [2029096-4](#) [R929991000](#) [R929991002](#) [R929993000](#) [319-10-101-00-005000](#) [319-10-102-00-001000](#) [319-10-104-00-001000](#) [319-10-105-00-001000](#) [319-10-108-00-001000](#) [319-10-112-00-006000](#) [39-01-8019](#) [319-10-101-00-001000](#) [319-10-102-00-005000](#)