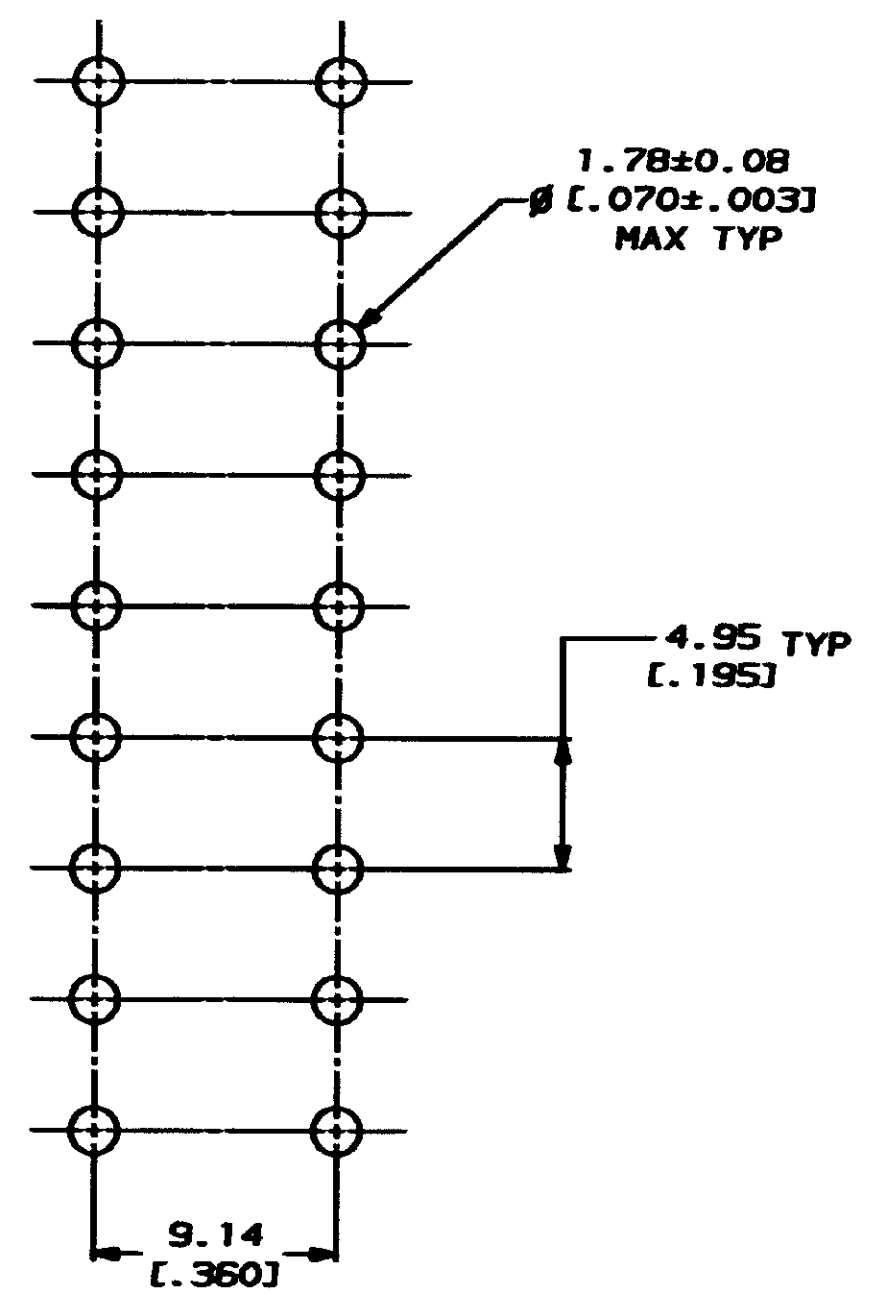
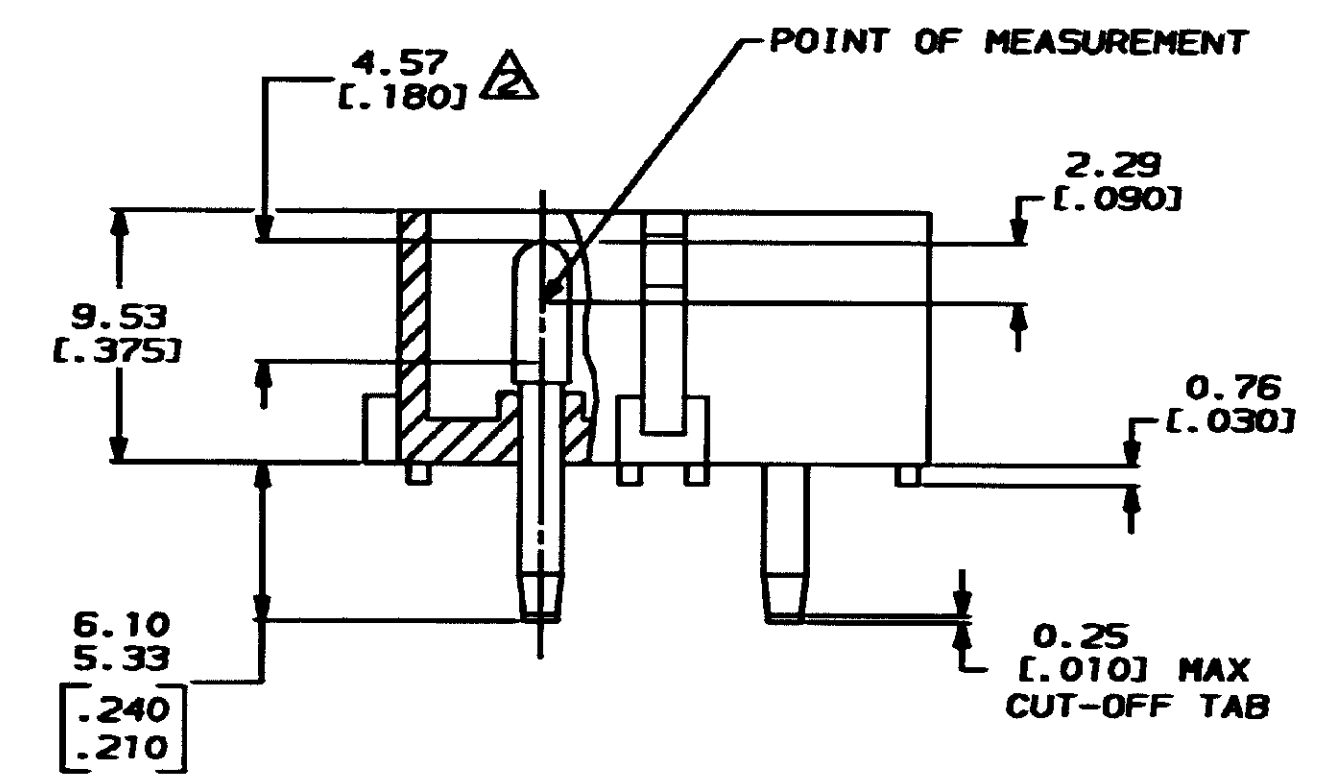
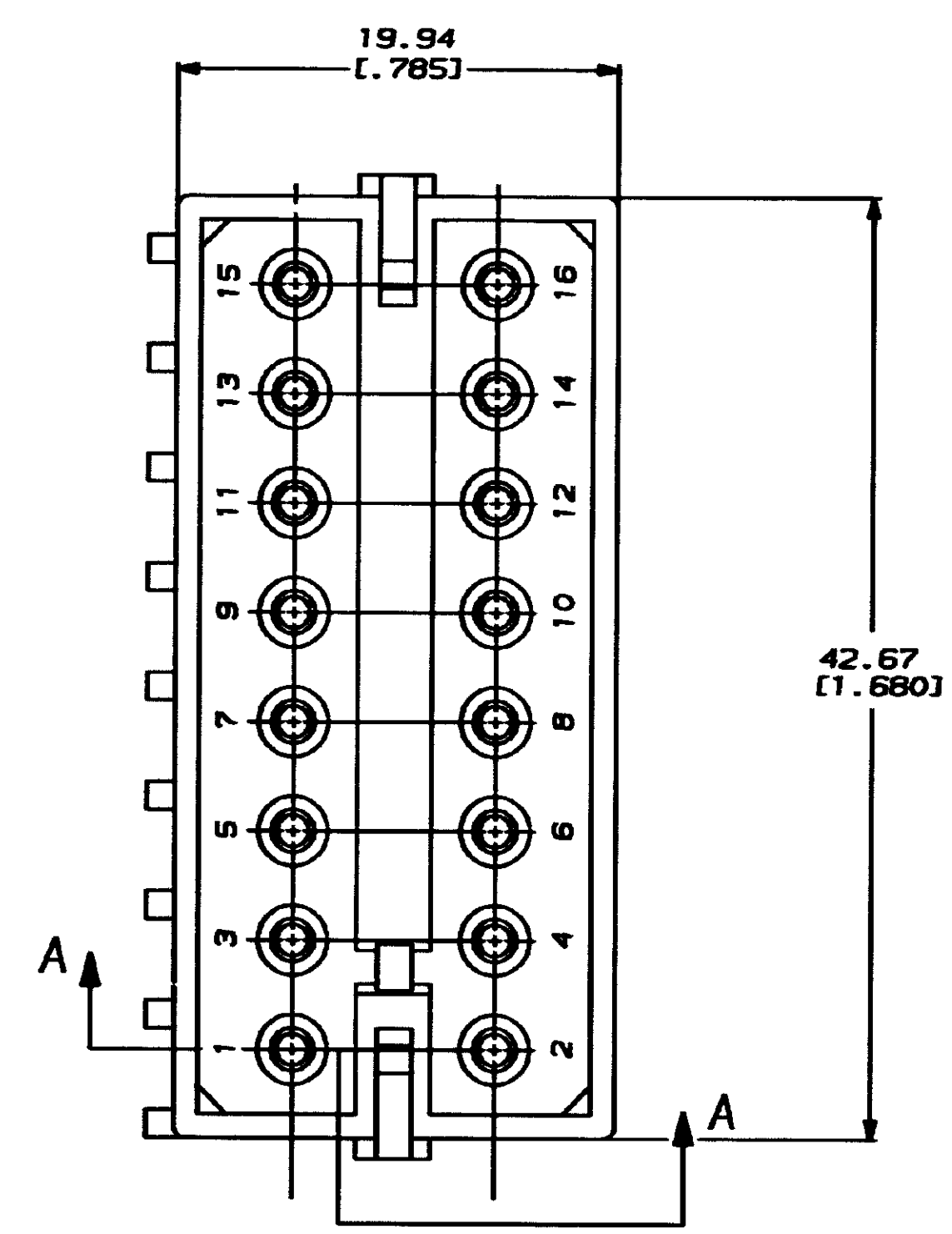


THIS DRAWING IS UNPUBLISHED. RELEASED FOR PUBLICATION .18
 © COPYRIGHT 19 BY AMP INCORPORATED. ALL INVENTORIAL RIGHTS RESERVED.

LDC		REV		REV		REV		REV		REV	
CM	53										
REVISIONS											
DESCRIPTION											
N REV & REDMN PER ECN CH-11											
DATE											
APPD											



RECOMMENDED MOUNTING HOLE PATTERN FOR 3.18 (.125) THICK P.C. BOARD



SECTION A-A

- PARTS MUST COMPLY WITH AMP SOLDERABILITY SPECIFICATION 109-11-3.
- CONTACT IS PLATED OVERALL WITH 0.00127 (.000050) NICKEL, THEN 0.00076 (.00030) GOLD OVER CONTACT LENGTH INDICATED AND MATTE TIN ON SOLDER TAIL END.
- DIMENSIONS IN BRACKETS ARE IN INCHES.

METRIC

THIS DRAWING IS A CONTROLLED DOCUMENT FOR AMP INCORPORATED. IT IS SUBJECT TO CHANGE AND THE CONTROLLING ENGINEERING ORGANIZATION SHOULD BE CONTACTED FOR THE LATEST REVISION.

COPPER ALLOY, GOLD		NYLON, 6/6, NATURAL		350427-2	
COPPER ALLOY, PRE-TIN		NYLON, 6/6, NATURAL		350427-1	
PIN CONTACT MATERIAL AND FINISH		HOUSING MATERIAL AND COLOR		PART NO	
DO NOT SCALE PRINT. UNLESS SPECIFIED DIMENSIONS IN mm (INCHES) TOLERANCES ON: 2 PLC DEC ± 0.13 (.005) 3 PLC DEC ± - ANGLES ± -		DR 10-29-93 K. SALMON		AMP AMP Incorporated Harrisburg, PA 17105-3508	
SEE TABLE		CHK 10-29-93 R. SAUNG		NAME	
SEE TABLE		APPD 11-9-93 C. MARTIN		HEADER ASSEMBLY, 16 CIRCUIT, COMMERCIAL MATE-N-LOK™	
SEE TABLE		APPD 11-9-93 C. MARTIN		SIZE	
SEE TABLE		PRODUCT SPEC -		D 00779 C-350427	
SEE TABLE		APPLICATION SPEC -		SCALE 4:1	
SEE TABLE		WEIGHT -		SHEET 1 OF 1	

CUSTOMER DRAWING

AMP 100-3 REV 3-82

X-ON Electronics

Largest Supplier of Electrical and Electronic Components

Click to view similar products for [Pin & Socket Connectors](#) category:

Click to view products by [TE Connectivity](#) manufacturer:

Other Similar products are found below :

[6450822-1](#) [770392-1](#) [794042-1](#) [796885-1](#) [8-794535-1](#) [PLR3455ACS-222](#) [R929991004](#) [R929993003](#) [1403611-1](#) [1-480349-5](#) [152302-5](#)
[153211-2](#) [1586092-1](#) [1586129-1](#) [1586681-4](#) [1586700-1](#) [1586368-1](#) [1586380-1](#) [1586616-1](#) [1586680-5](#) [16-06-0038](#) [164164-5](#) [1-6609930-1](#)
[172296-1](#) [19-09-2035](#) [200503-1](#) [200788-2](#) [2029090-4](#) [2029095-4](#) [925061-7](#) [293734-4](#) [293737-2](#) [1-765362-4](#) [1871534-1](#) [200833-4](#)
[2008625-2](#) [2029027-2](#) [2029096-4](#) [R929991000](#) [R929991002](#) [R929993000](#) [319-10-101-00-005000](#) [319-10-102-00-001000](#) [319-10-104-00-001000](#) [319-10-105-00-001000](#) [319-10-108-00-001000](#) [319-10-112-00-006000](#) [39-01-8019](#) [319-10-101-00-001000](#) [319-10-102-00-005000](#)