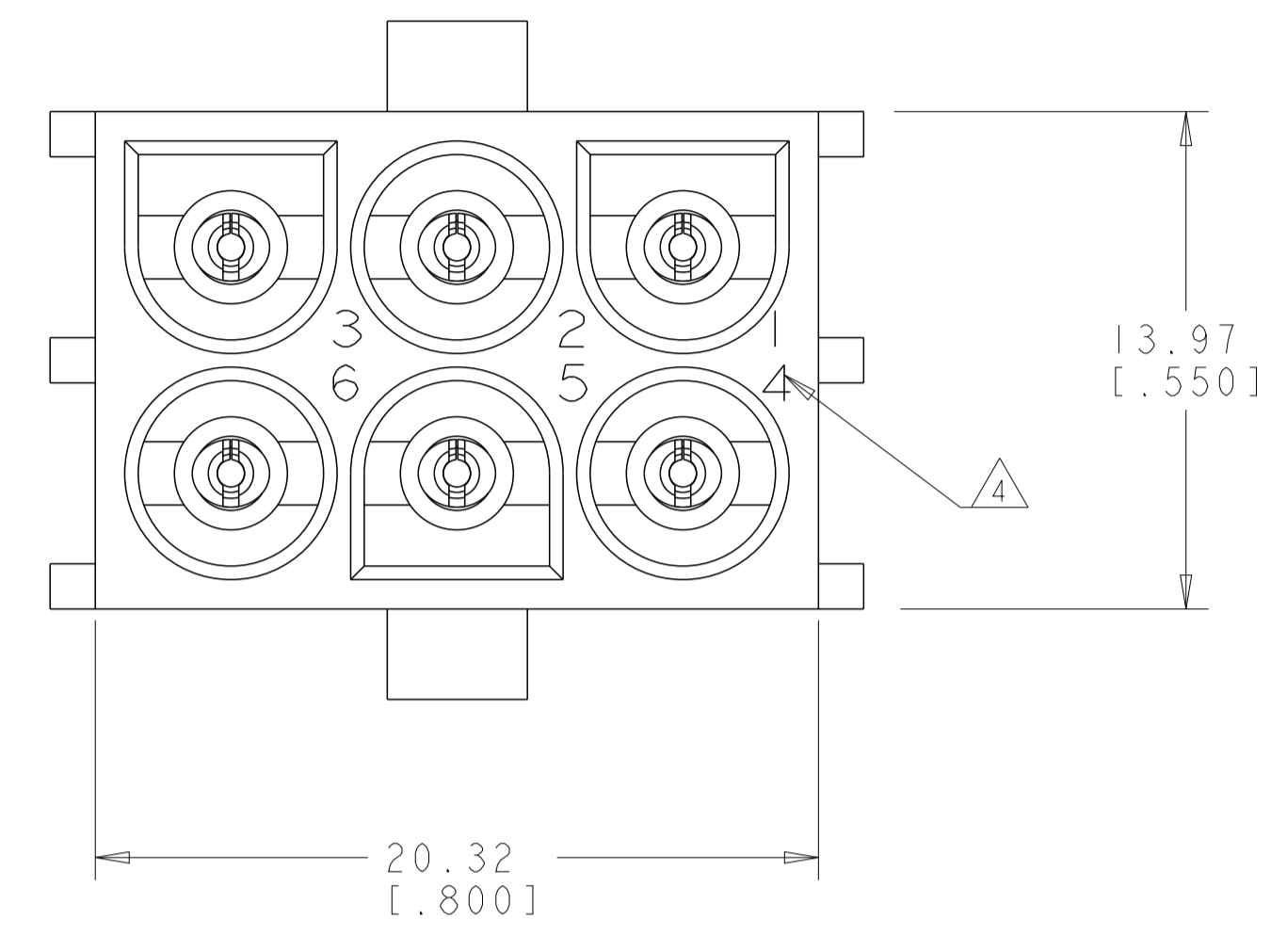
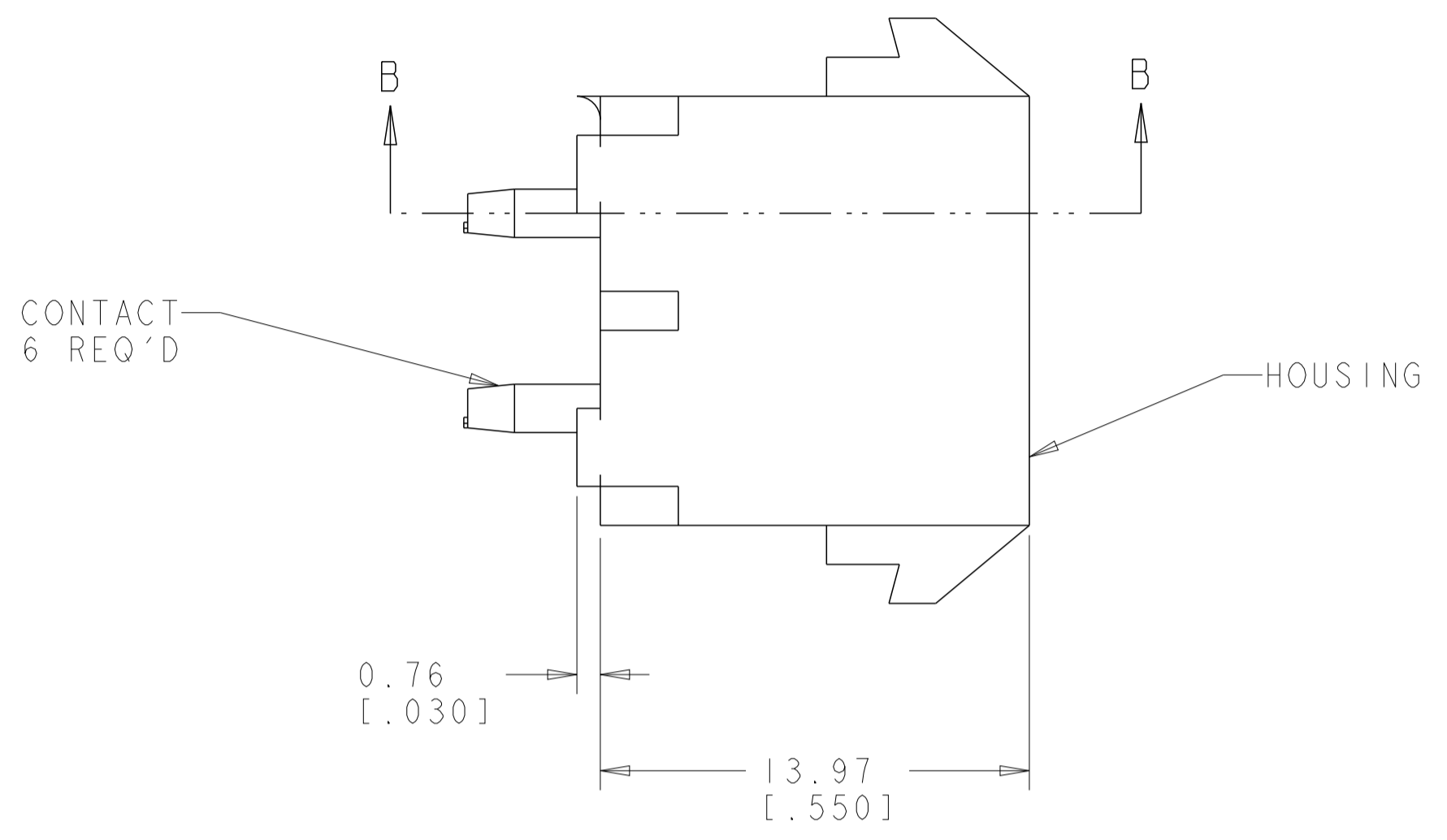
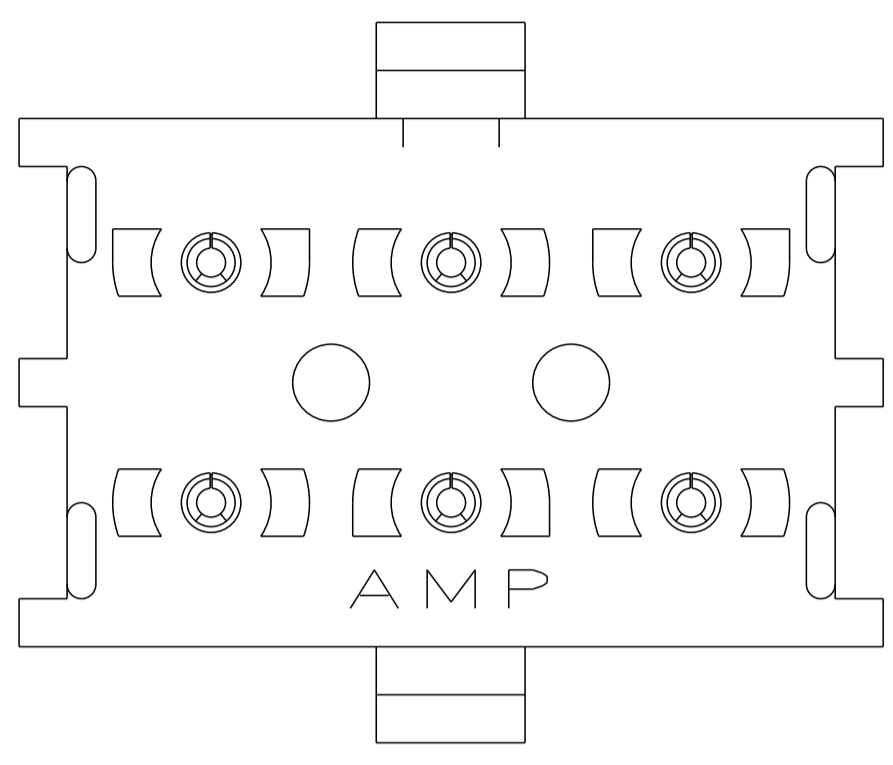
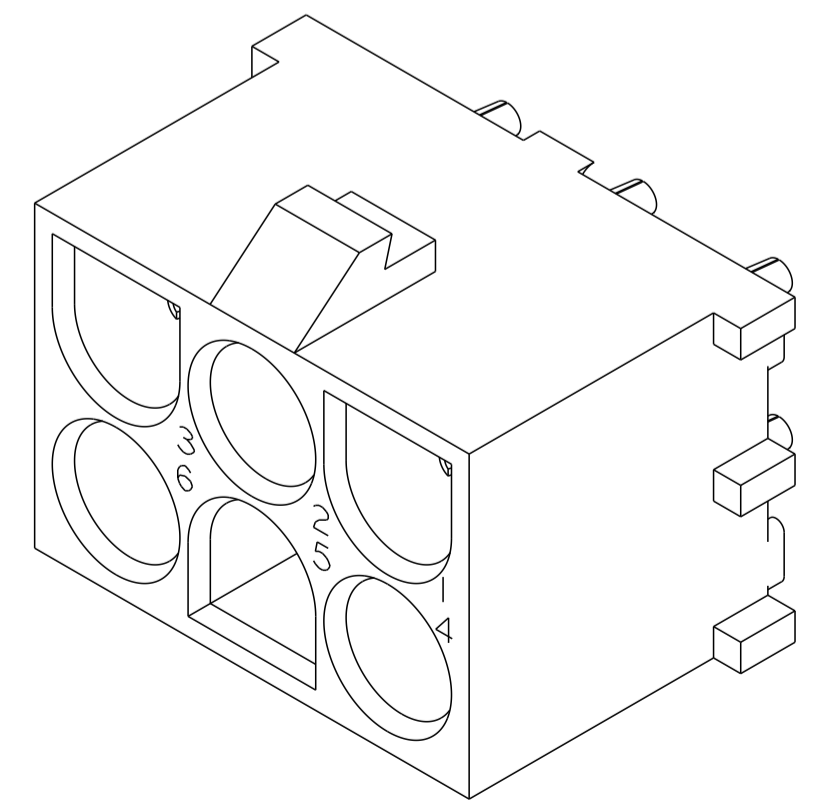
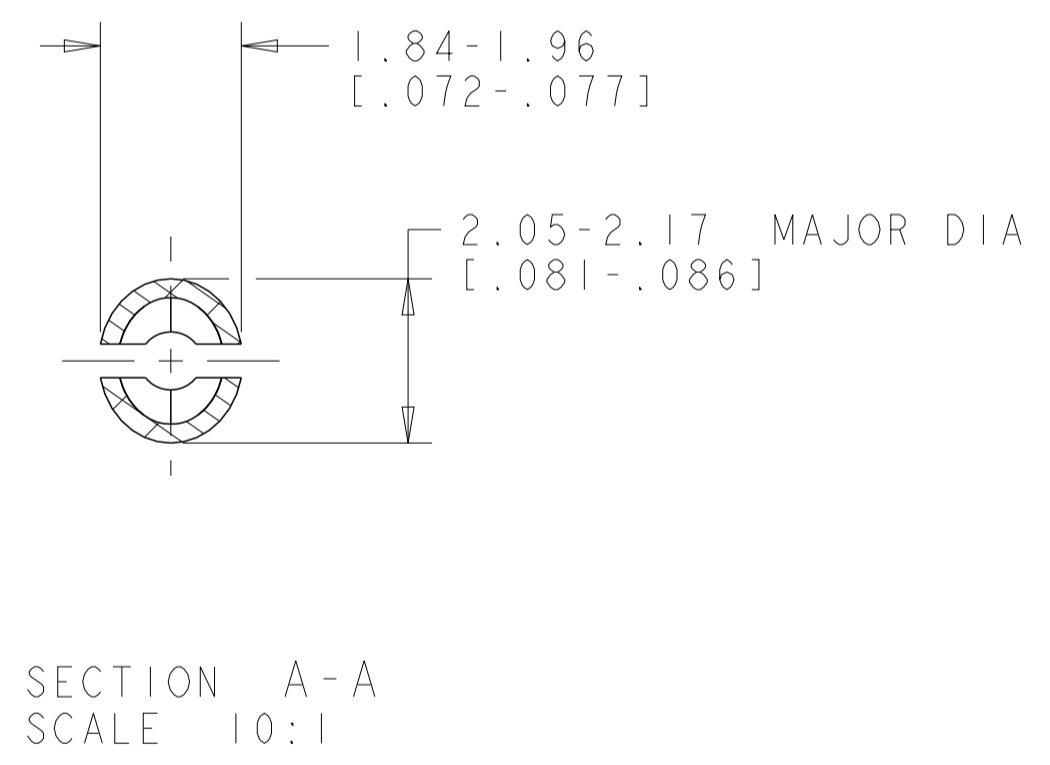
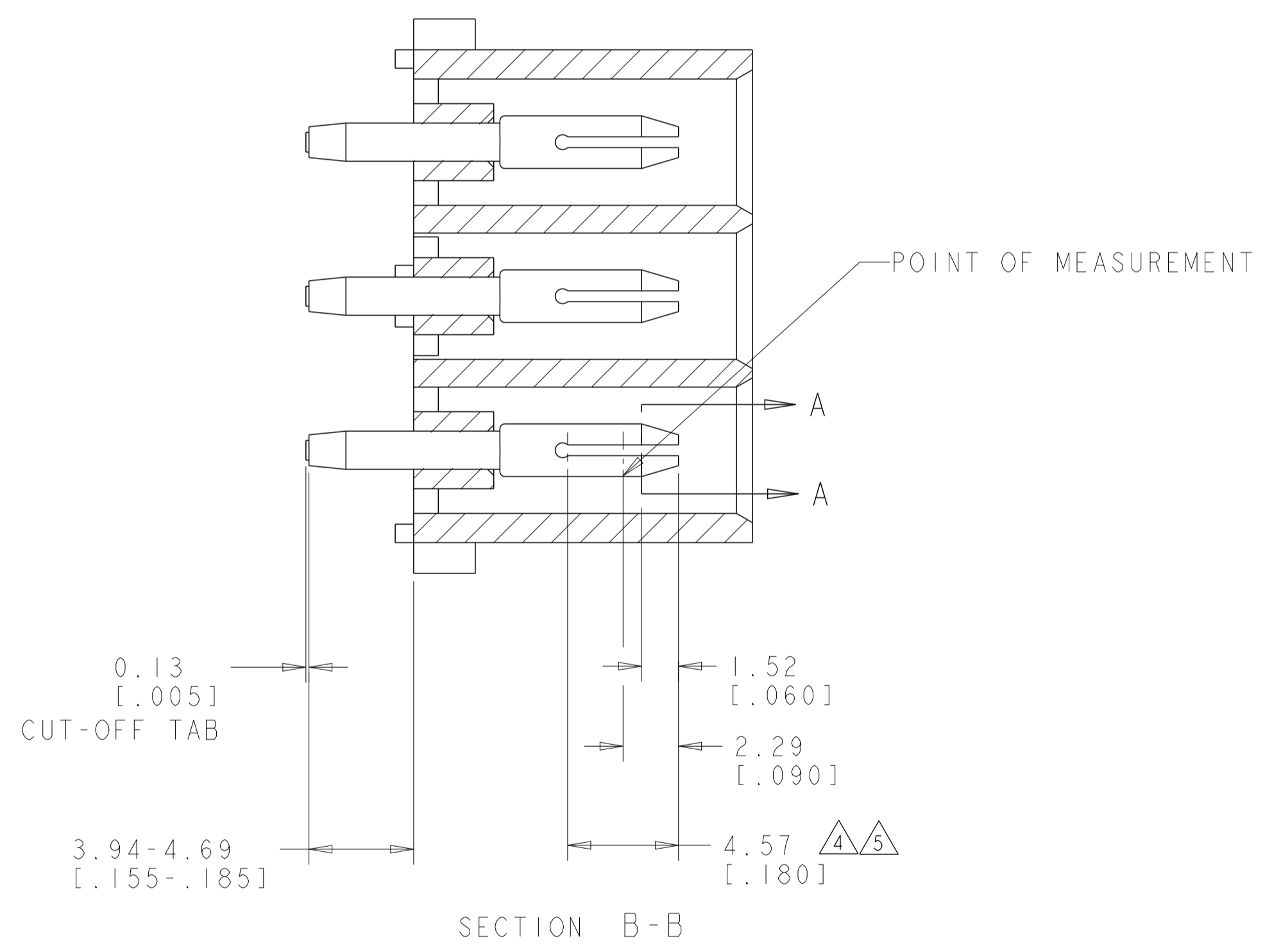


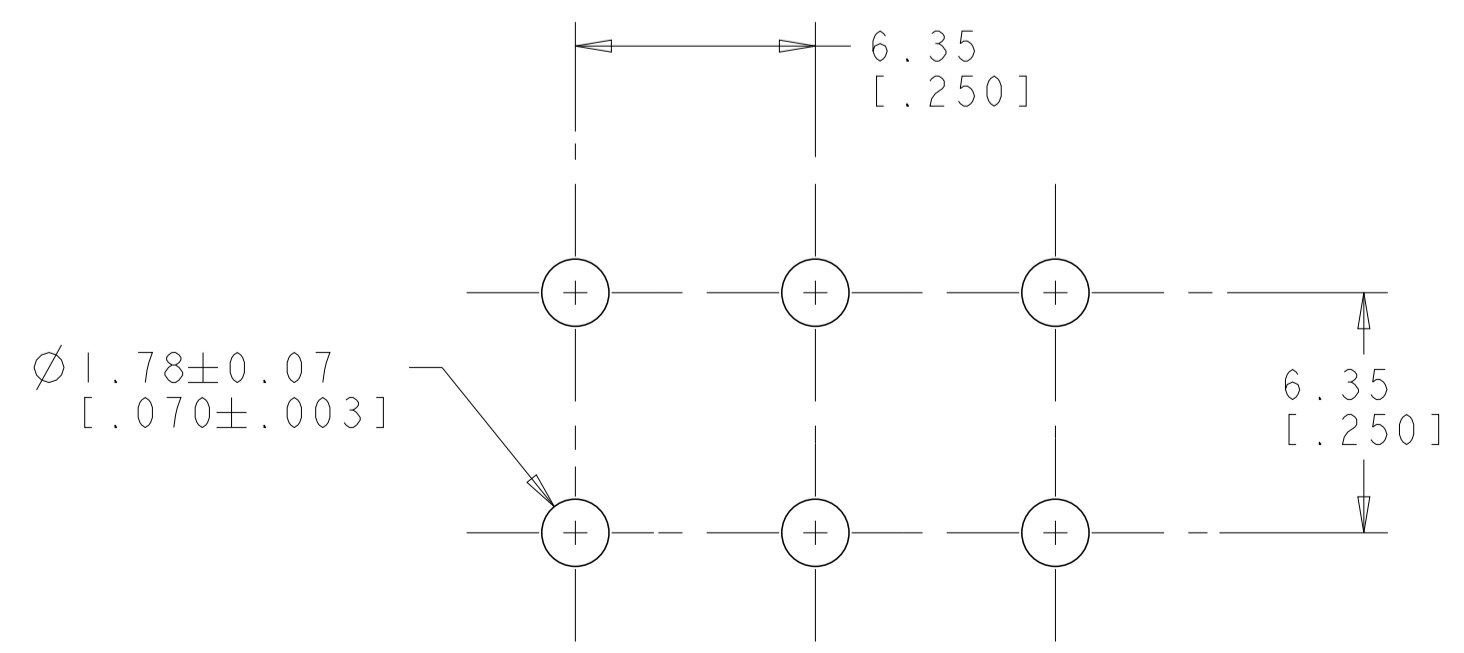
LOC		DIST		REVISIONS			
CM	00	P	LTN	DESCRIPTION	DATE	DWN	APVD
		Y2		REVISED PER ECR-12-011660	24JAN2013	KH	TM



- PARTS MATE WITH HOUSING 480704.
 - PARTS COMPLY TO AMP SOLDERABILITY SPECIFICATION 109-11-3.
 - CIRCUIT IDENTIFICATION CHARACTERS ARE ADJACENT TO THE INDICATED CAVITIES, BUT LOCATION AND ORIENTATION MAY DIFFER FROM PRINT.
 - CONTACT IS PLATED OVERALL WITH 0.00127 [.000050] NICKEL, THEN 0.00076 [.000030] GOLD OVER CONTACT LENGTH INDICATED AND TIN LEAD ON SOLDER TAIL END.
 - CONTACT IS PLATED OVERALL WITH 0.00127 [.000050] NICKEL, THEN 0.00076 [.000030] GOLD OVER CONTACT LENGTH INDICATED AND MATTE TIN ON SOLDER TAIL END.
 - DIMENSIONS IN BRACKETS ARE IN INCHES.
- ⚠ SUPERSEDED BY 350431-4

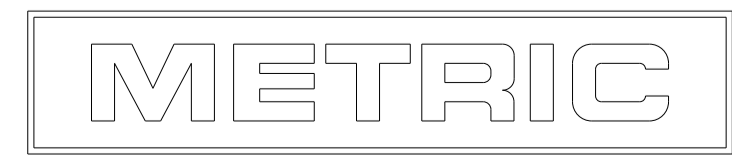


3 DIMENSIONAL MODEL
SCALE 4:1



RECOMMENDED MOUNTING HOLE PATTERN
FOR 1.57 [.062] THICK P.C. BOARD

PHOSPOR BRONZE, GOLD ⚠	NYLON, UL94V-2, NATURAL	350431-4
PHOSPOR BRONZE, GOLD ⚠	NYLON, UL94V-2, NATURAL	350431-2
PHOSPOR BRONZE, PRE-TIN	NYLON, UL94V-2, NATURAL	350431-1
PIN CONTACT MATERIAL AND FINISH		PART NUMBER



THIS DRAWING IS A CONTROLLED DOCUMENT.

DIMENSIONS: mm [INCHES]	TOLERANCES UNLESS OTHERWISE SPECIFIED:	DWN K. WHITAKER 18JULY2005	CHK S. RIDGILL 18JULY2005	APVD S. RIDGILL 18JULY2005	NAME PIN HEADER ASSEMBLY, 6 CIRCUIT, UNIVERSAL MATE-N-LOK TM
MATERIAL SEE TABLE	FINISH SEE TABLE	SIZE A1	CAGE CODE 350431	DRAWING NO 350431	RESTRICTED TO

CUSTOMER DRAWING SCALE 5:1 SHEET 1 OF 1 REV Y2

X-ON Electronics

Largest Supplier of Electrical and Electronic Components

Click to view similar products for [Pin & Socket Connectors](#) category:

Click to view products by [TE Connectivity](#) manufacturer:

Other Similar products are found below :

[6450822-1](#) [770392-1](#) [794042-1](#) [796885-1](#) [8-794535-1](#) [PLR3455ACS-222](#) [R929991004](#) [R929993003](#) [1403611-1](#) [1-480349-5](#) [152302-5](#)
[153211-2](#) [1586092-1](#) [1586129-1](#) [1586681-4](#) [1586700-1](#) [1586368-1](#) [1586380-1](#) [1586616-1](#) [1586680-5](#) [16-06-0038](#) [164164-5](#) [1-6609930-1](#)
[172296-1](#) [19-09-2035](#) [200503-1](#) [200788-2](#) [2029090-4](#) [2029095-4](#) [925061-7](#) [293734-4](#) [293737-2](#) [1-765362-4](#) [1871534-1](#) [200833-4](#)
[2008625-2](#) [2029027-2](#) [2029096-4](#) [R929991000](#) [R929991002](#) [R929993000](#) [319-10-101-00-005000](#) [319-10-102-00-001000](#) [319-10-104-00-001000](#) [319-10-105-00-001000](#) [319-10-108-00-001000](#) [319-10-112-00-006000](#) [39-01-8019](#) [319-10-101-00-001000](#) [319-10-102-00-005000](#)