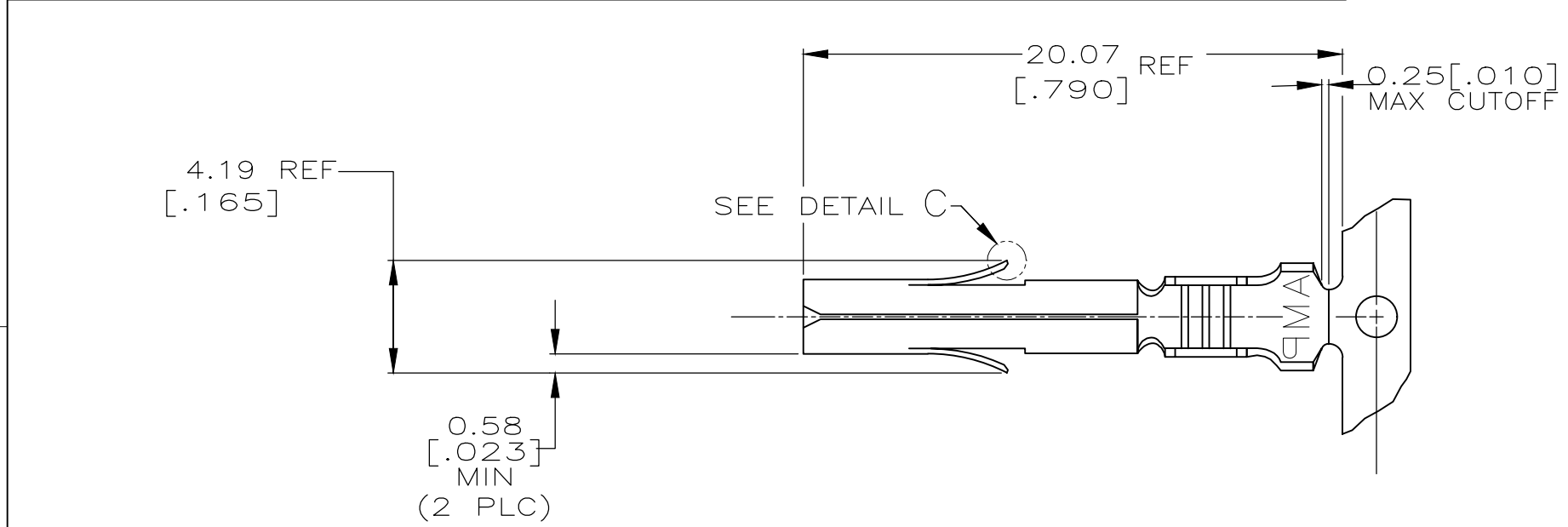
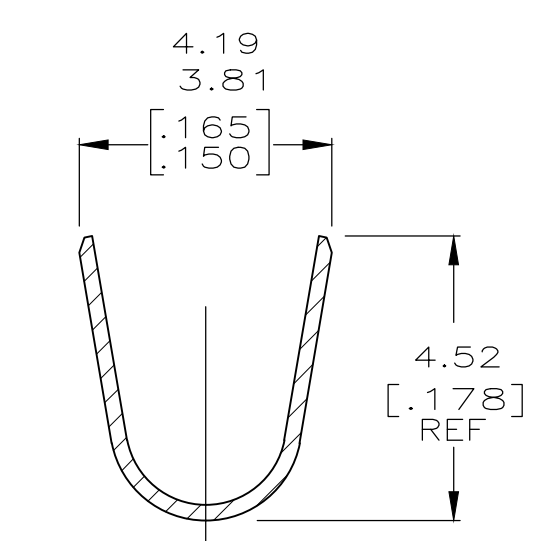
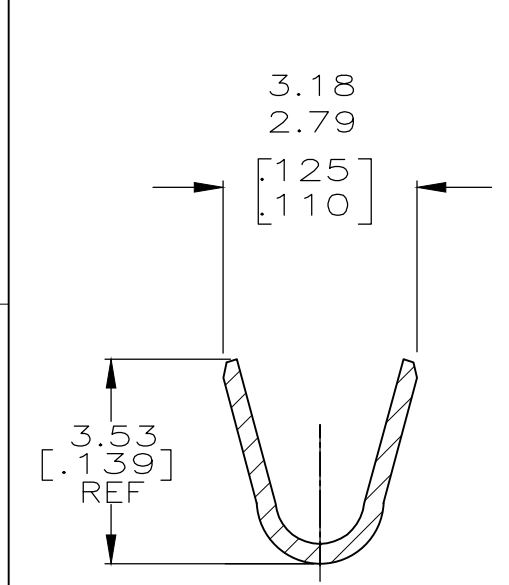
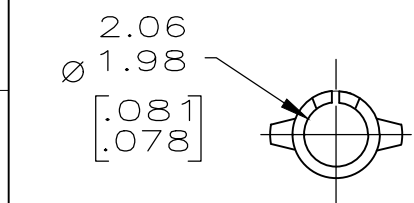
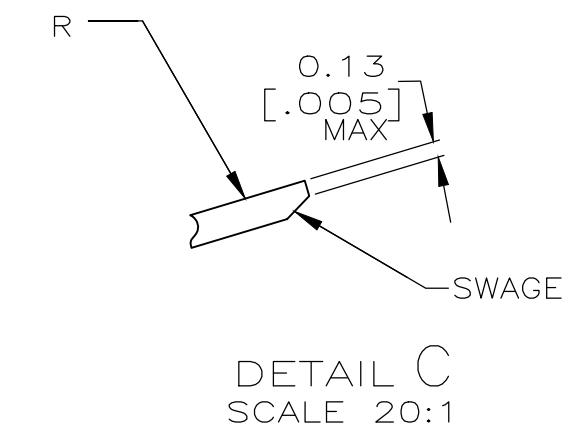
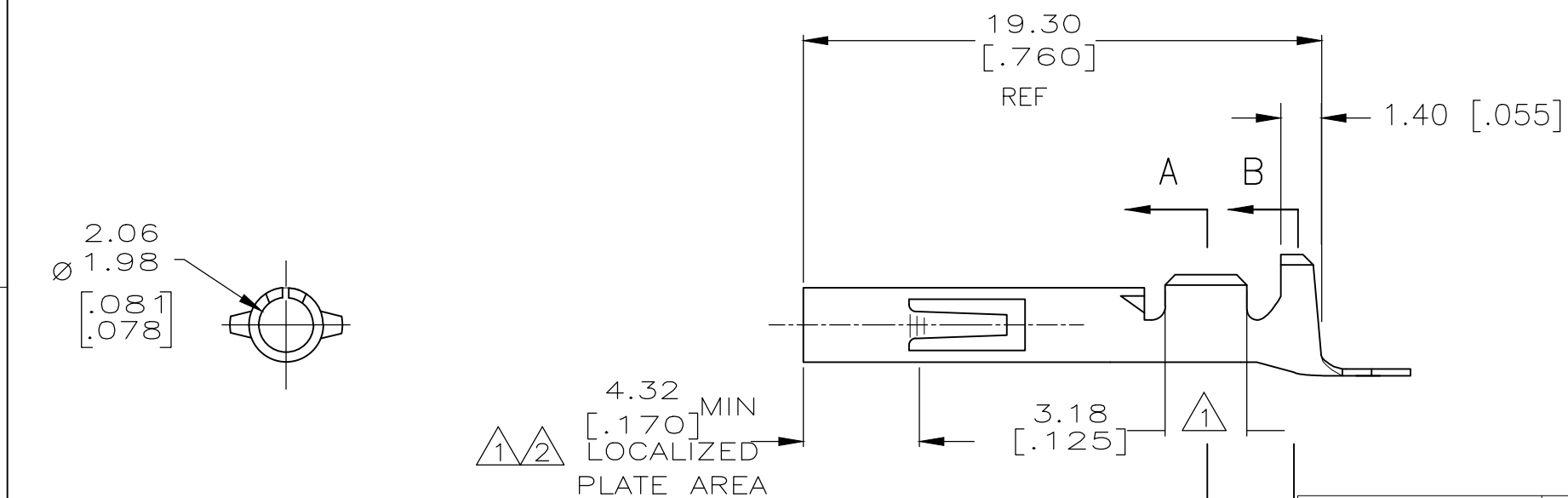


THIS DRAWING IS UNPUBLISHED. RELEASED FOR PUBLICATION  
 © COPYRIGHT - By - ALL RIGHTS RESERVED.

REVISIONS				
P	LTR	DESCRIPTION	DATE	APVD
	AD4	REVISED PER ECR-18-011987	09AUG2018	BDA SF



- 1 0.00076[.000030] THK GOLD OVER NICKEL ON INSIDE OF RECEPTACLE AND WIRE BARREL; REMAINDER OF CONTACT IS NICKEL PLATED.
- 2 0.00076[.000030] THK GOLD ON INSIDE OF RECEPTACLE; REMAINDER OF CONTACT IS NICKEL PLATED.
- 3 DIMENSIONS IN BRACKETS ARE IN INCHES.
- 4 PRELIMINARY, NOT FOR PRODUCTION.
- 5 OBSOLETE PARTS: OBSOLETE CIS STREAMLINING PER D.RENAUD/D.SINISIA
- 6 WIRE RANGE: 14-20AWG, 2.08-0.52mm<sup>2</sup>. INSULATION RANGE: Ø1.52-3.30 [Ø.060-.130].



APPLICATOR TYPE	FINISH	MATERIAL	PART NUMBER
-	MINI	GOLD 1 0.30 [.012] COPPER ALLOY	1-350536-2 4
-	-	TIN 0.30 [.012] BE CU	1-350536-0 4
5 OBSOLETE	STANDARD	TIN 0.30 [.012] PH BZ	-350536-9-
-	MINI	GOLD 2 0.30 [.012] BRASS	350536-7
-	MINI	GOLD 2 0.30 [.012] PH BZ	350536-6
-	MINI	TIN 0.30 [.012] PH BZ	350536-3
-	MINI	GOLD 1 0.30 [.012] BRASS	350536-2
-	MINI	TIN 0.30 [.012] BRASS	350536-1

THIS DRAWING IS A CONTROLLED DOCUMENT.

DIMENSIONS: mm [INCHES]	TOLERANCES UNLESS OTHERWISE SPECIFIED:
0 PLC ± -	1 PLC ± -
2 PLC ± 0.13 [.005]	3 PLC ± -
4 PLC ± -	4 PLC ANGLES ± -
MATERIAL -	FINISH -

STE TE Connectivity

SOCKET, UNIVERSAL MATE-N-LOK™

108-1031

114-1010

SIZE A3 CAGE CODE 00779 DRAWING NO C-350536 RESTRICTED TO -

CUSTOMER DRAWING SCALE 4:1 SHEET 1 OF 1 REV AD4

## X-ON Electronics

Largest Supplier of Electrical and Electronic Components

*Click to view similar products for [Pin & Socket Connectors](#) category:*

*Click to view products by [TE Connectivity](#) manufacturer:*

Other Similar products are found below :

[6450822-1](#) [770392-1](#) [794042-1](#) [796885-1](#) [8-794535-1](#) [PLR3455ACS-222](#) [R929991004](#) [R929993003](#) [1403611-1](#) [1-480349-5](#) [152302-5](#)  
[153211-2](#) [1586092-1](#) [1586129-1](#) [1586681-4](#) [1586700-1](#) [1586368-1](#) [1586380-1](#) [1586616-1](#) [1586680-5](#) [16-06-0038](#) [164164-5](#) [1-6609930-1](#)  
[172296-1](#) [19-09-2035](#) [200503-1](#) [200788-2](#) [2029090-4](#) [2029095-4](#) [925061-7](#) [293734-4](#) [293737-2](#) [1-765362-4](#) [1871534-1](#) [200833-4](#)  
[2008625-2](#) [2029027-2](#) [2029096-4](#) [R929991000](#) [R929991002](#) [R929993000](#) [319-10-101-00-005000](#) [319-10-102-00-001000](#) [319-10-104-00-001000](#) [319-10-105-00-001000](#) [319-10-108-00-001000](#) [319-10-112-00-006000](#) [39-01-8019](#) [319-10-101-00-001000](#) [319-10-102-00-005000](#)