

THIS DRAWING IS UNPUBLISHED. RELEASED FOR PUBLICATION
 © COPYRIGHT - By - ALL RIGHTS RESERVED.

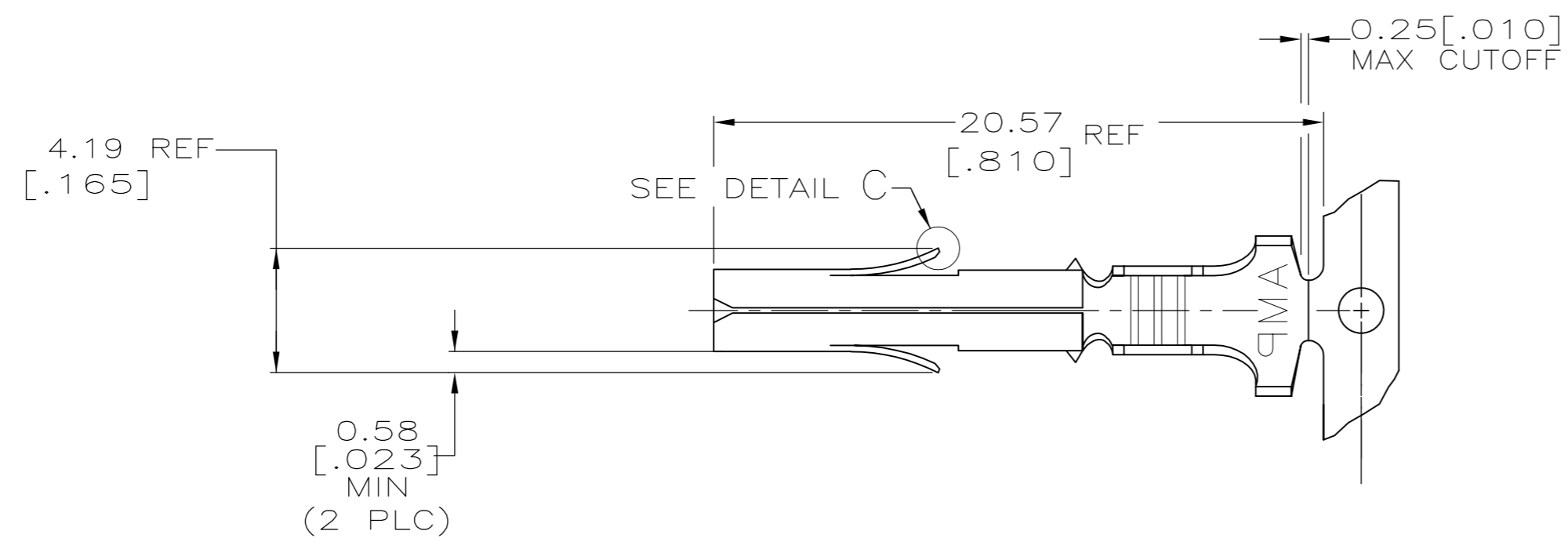
LOC	DIST	REVISIONS			
P	LTR	DESCRIPTION	DATE	DWN	APVD
CM	53	REVISED PER ECR-12-013323	09AUG12	KH	TM

D

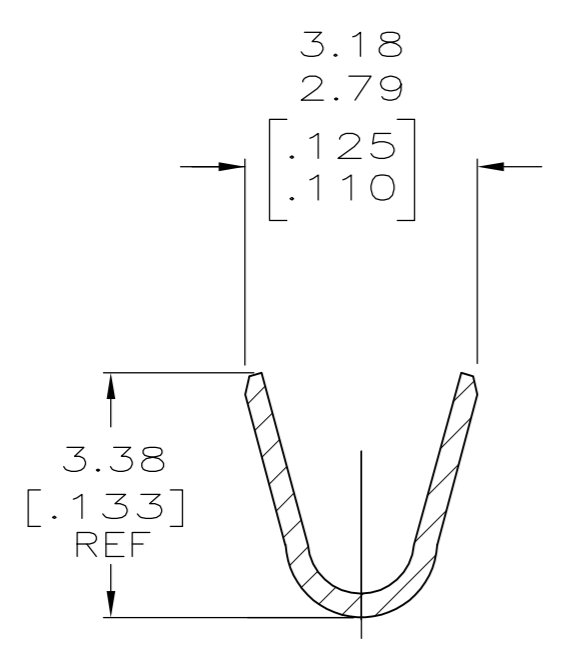
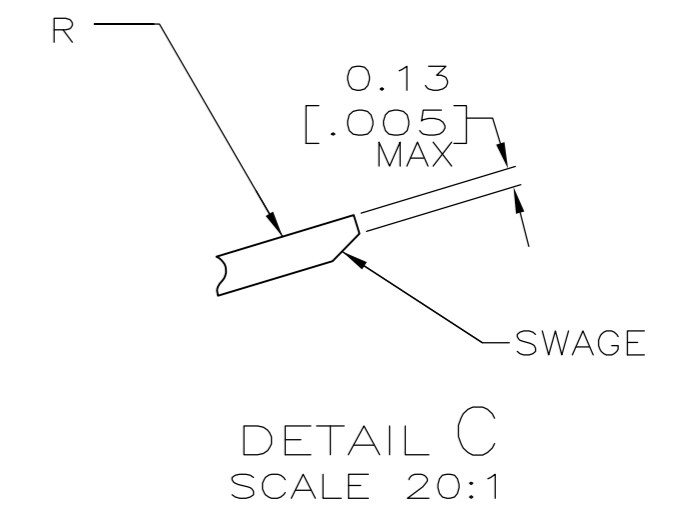
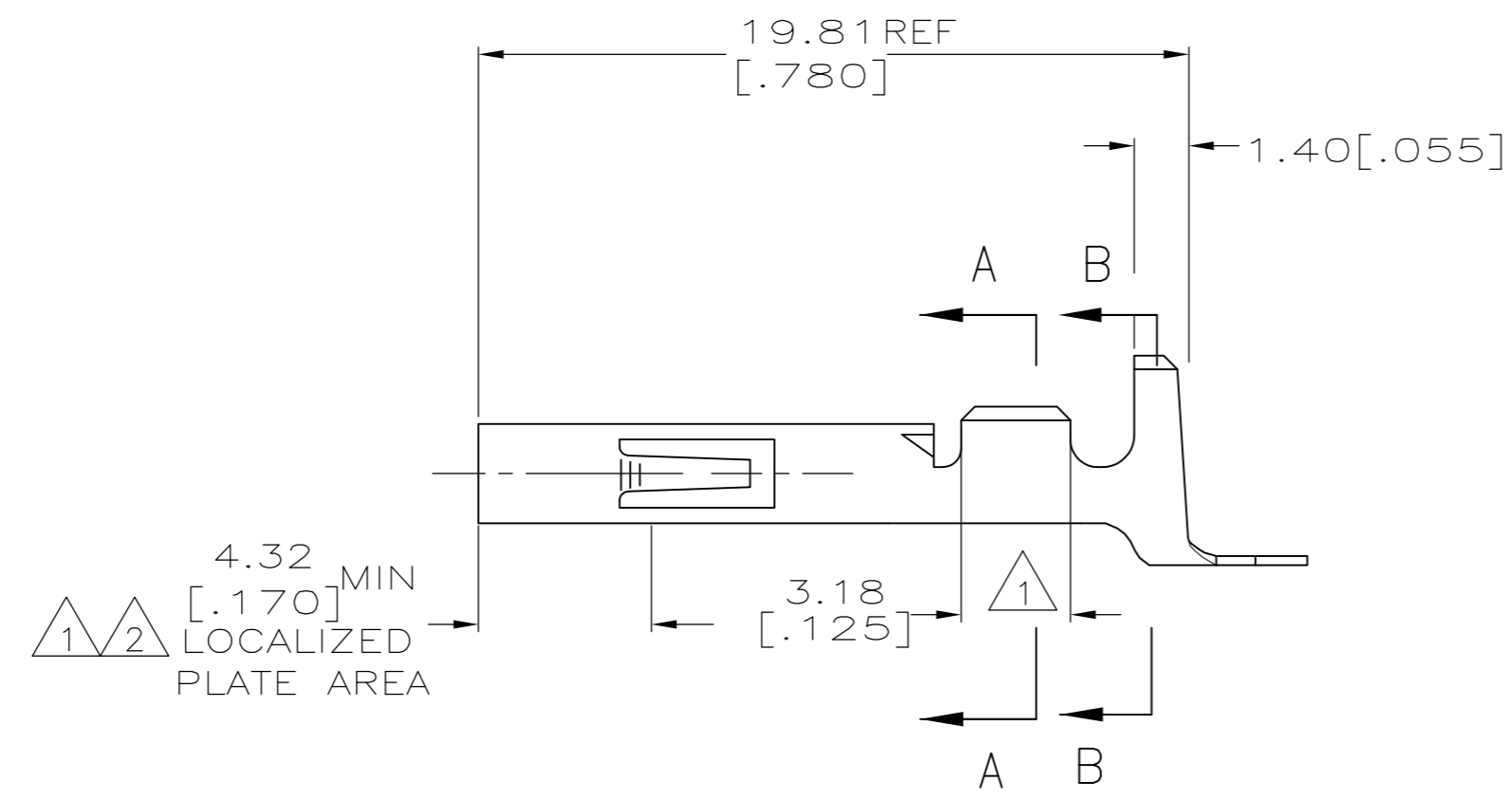
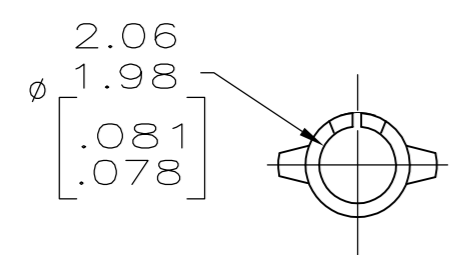
C

B

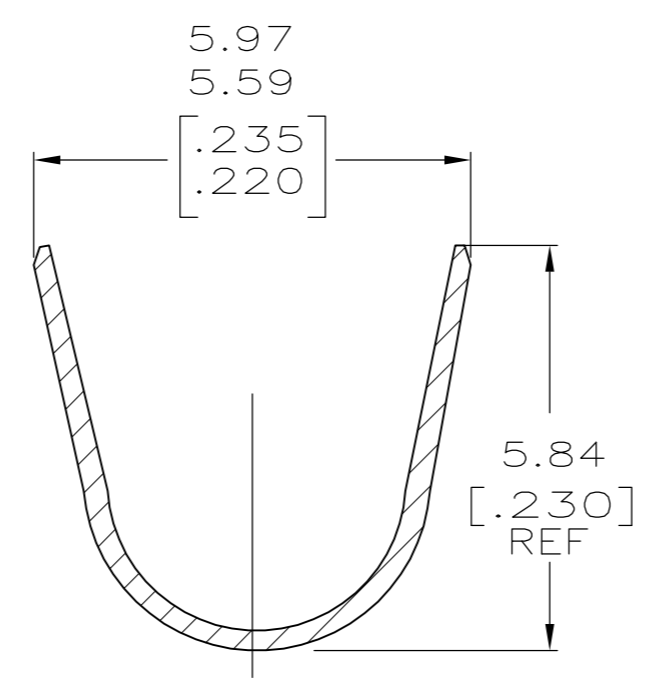
A



- 1 0.00076[.000030] THK GOLD OVER NICKEL ON INSIDE OF RECEPTACLE AND WIRE BARREL; REMAINDER OF CONTACT IS NICKEL PLATED.
- 2 0.00076[.000030] THK GOLD ON INSIDE OF RECEPTACLE; REMAINDER OF CONTACT IS NICKEL PLATED.
- 3 DIMENSIONS IN BRACKETS ARE IN INCHES.
- 4 PACKAGED AND SOLD IN PALLET LOADS ONLY. 44 REELS PER PALLET (110,000 CONTACTS).
- 5 LUBRICATED.
- 6 WIRE RANGE: 20-14 AWG
INSULATION RANGE: 3.30-5.08 [.130-.200] DIA.



SECTION A-A
SCALE 10:1



SECTION B-B
SCALE 10:1

NOTE 5

Part No	Finish	Material	Part No
350551-1	TIN	350537-1	1-350537-2
-	TIN	MAKE FROM 350537-1	1-350537-1
350551-7	GOLD 2	0.30 [.012] BRASS	350537-7
350551-6	GOLD 2	0.30 [.012] PH BZ	350537-6
350551-3	TIN	0.30 [.012] PH BZ	350537-3
350551-2	GOLD 1	0.30 [.012] BRASS	350537-2
350551-1	TIN	0.30 [.012] BRASS	350537-1
LOOSE PIECE (REF)	FINISH	MATERIAL	PART NO

THIS DRAWING IS A CONTROLLED DOCUMENT.		DWN K. SALMON 6-11-91	TE TE Connectivity	
DIMENSIONS: mm [INCHES]		CHK R. SWING 6-11-91		
TOLERANCES UNLESS OTHERWISE SPECIFIED:		APVD D. SELF 6-11-91	NAME SOCKET, UNIVERSAL MATE-N-LOK™	
0 PLC ± -		PRODUCT SPEC	SIZE A2	
1 PLC ± -		APPLICATION SPEC	CAGE CODE 00779	
2 PLC ± -		WEIGHT	DRAWING NO C=350537	
3 PLC ± 0.13[.005]		RESTRICTED TO	SCALE 1:1	
4 PLC ± -		REVISIONS	SHEET 1 OF 1	
ANGLES ± -		REV AF		
MATERIAL		CUSTOMER DRAWING		

X-ON Electronics

Largest Supplier of Electrical and Electronic Components

Click to view similar products for [Pin & Socket Connectors](#) category:

Click to view products by [TE Connectivity](#) manufacturer:

Other Similar products are found below :

[6450822-1](#) [770392-1](#) [794042-1](#) [796885-1](#) [8-794535-1](#) [PLR3455ACS-222](#) [R929991004](#) [R929993003](#) [1403611-1](#) [1-480349-5](#) [152302-5](#)
[153211-2](#) [1586092-1](#) [1586129-1](#) [1586681-4](#) [1586700-1](#) [1586368-1](#) [1586380-1](#) [1586616-1](#) [1586680-5](#) [16-06-0038](#) [164164-5](#) [1-6609930-1](#)
[172296-1](#) [19-09-2035](#) [200503-1](#) [200788-2](#) [2029090-4](#) [2029095-4](#) [925061-7](#) [293734-4](#) [293737-2](#) [1-765362-4](#) [1871534-1](#) [200833-4](#)
[2008625-2](#) [2029027-2](#) [2029096-4](#) [R929991000](#) [R929991002](#) [R929993000](#) [319-10-101-00-005000](#) [319-10-102-00-001000](#) [319-10-104-00-001000](#) [319-10-105-00-001000](#) [319-10-108-00-001000](#) [319-10-112-00-006000](#) [39-01-8019](#) [319-10-101-00-001000](#) [319-10-102-00-005000](#)