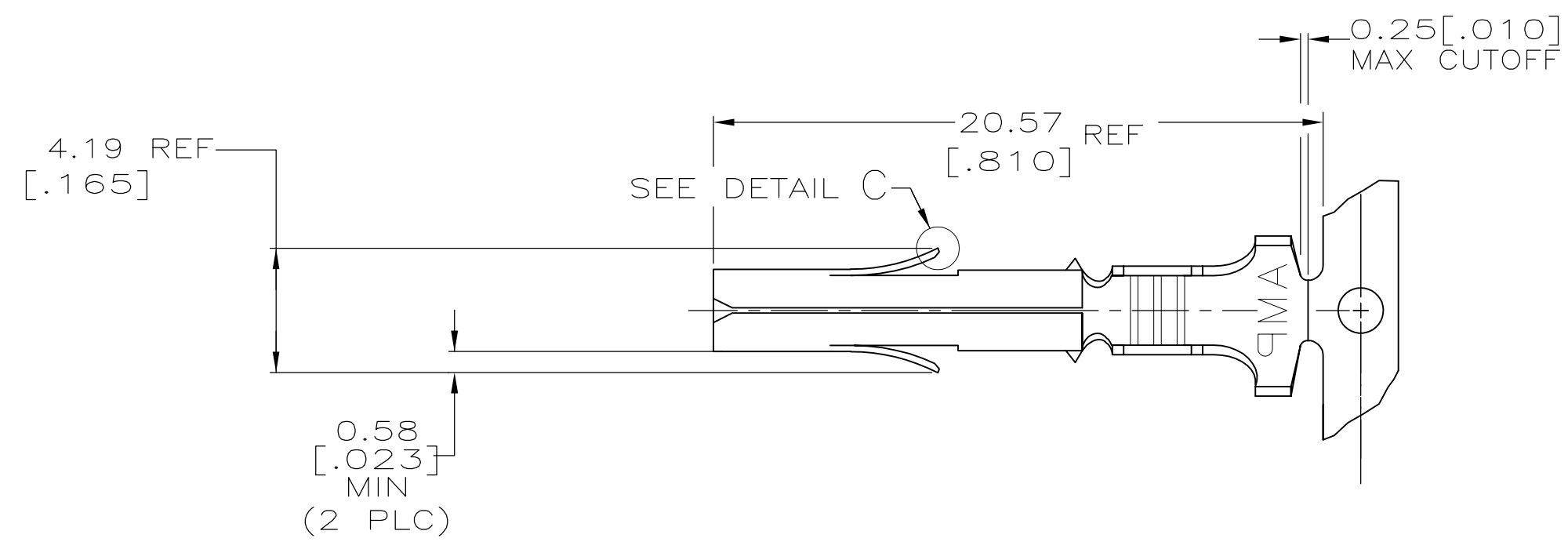
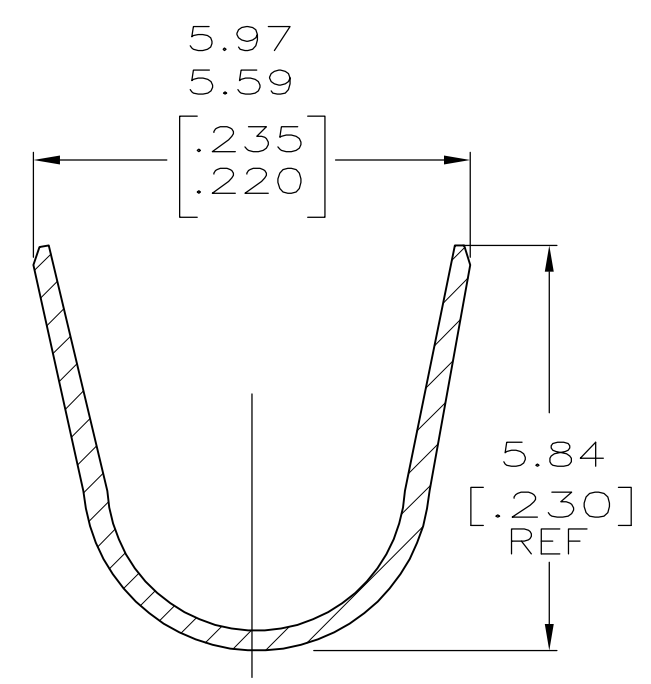
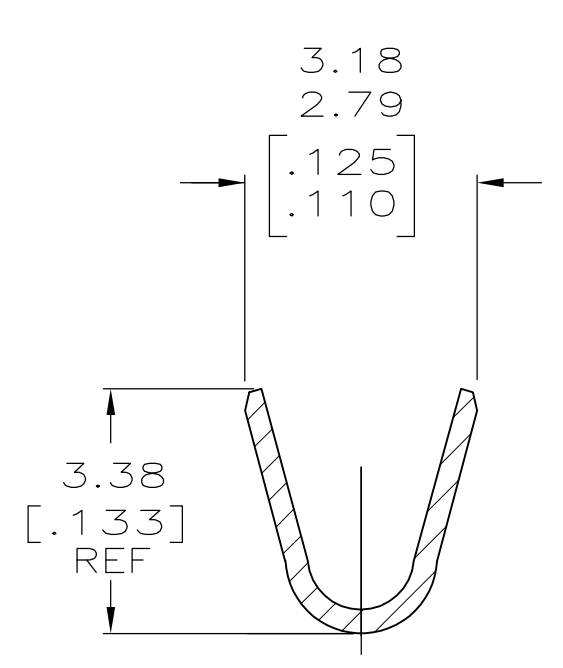
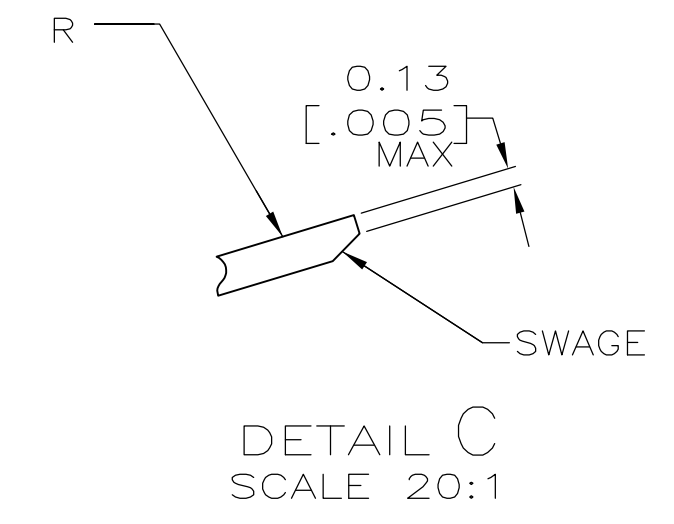
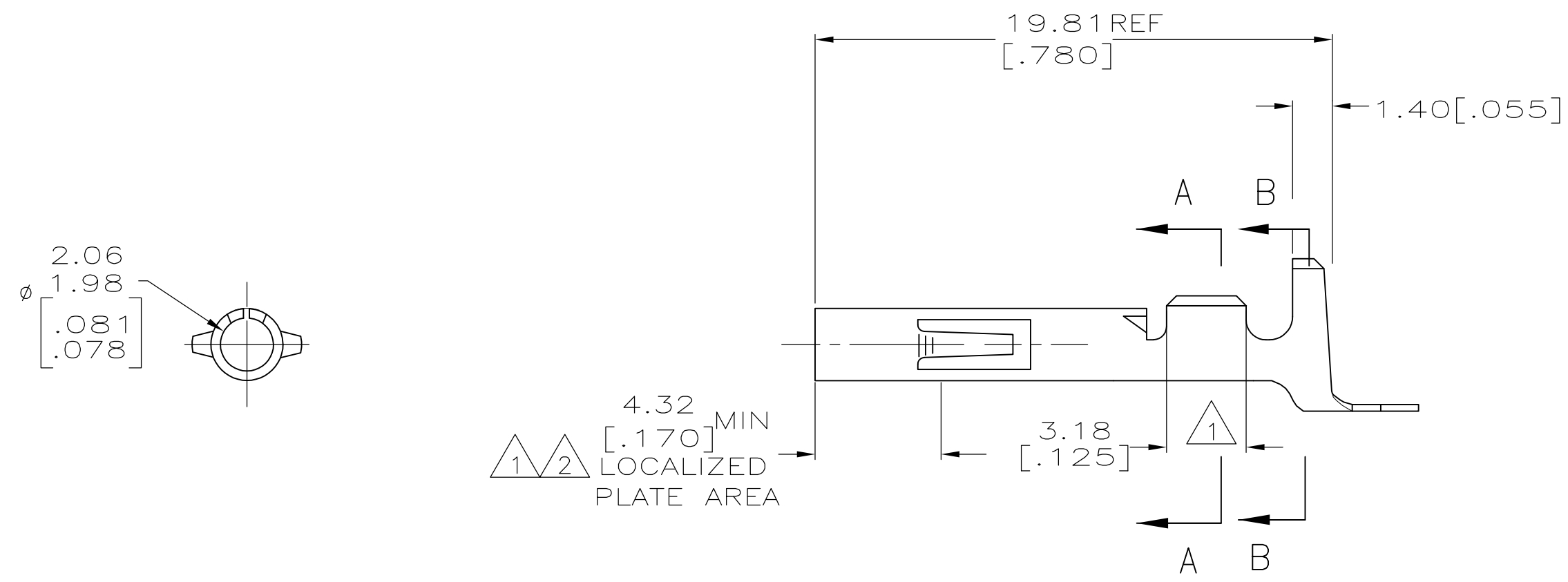


THIS DRAWING IS UNPUBLISHED. RELEASED FOR PUBLICATION  
 © COPYRIGHT - By - ALL RIGHTS RESERVED.

LOC		DIST		REVISIONS			
P	LTR	DESCRIPTION		DATE	DWN	APVD	
CM	53	AF	REVISED PER ECR-12-013323	09AUG12	KH	TM	



- 1 0.00076[.000030] THK GOLD OVER NICKEL ON INSIDE OF RECEPTACLE AND WIRE BARREL; REMAINDER OF CONTACT IS NICKEL PLATED.
- 2 0.00076[.000030] THK GOLD ON INSIDE OF RECEPTACLE; REMAINDER OF CONTACT IS NICKEL PLATED.
- 3 DIMENSIONS IN BRACKETS ARE IN INCHES.
- 4 PACKAGED AND SOLD IN PALLET LOADS ONLY. 44 REELS PER PALLET (110,000 CONTACTS).
- 5 LUBRICATED.
- 6 WIRE RANGE: 20-14 AWG  
INSULATION RANGE: 3.30-5.08 [.130-.200] DIA.



NOTE 5

ITEM NO	QTY	FINISH	MATERIAL	PART NO
350551-1	1	TIN	350537-1	1-350537-2
-	-	TIN	MAKE FROM 350537-1	1-350537-1
350551-7	1	GOLD	0.30 [.012] BRASS	350537-7
350551-6	1	GOLD	0.30 [.012] PH BZ	350537-6
350551-3	1	TIN	0.30 [.012] PH BZ	350537-3
350551-2	1	GOLD	0.30 [.012] BRASS	350537-2
350551-1	1	TIN	0.30 [.012] BRASS	350537-1
LOOSE PIECE (REF)		FINISH	MATERIAL	PART NO

THIS DRAWING IS A CONTROLLED DOCUMENT.

DWN K. SALMON 6-11-91	 TE Connectivity SOCKET, UNIVERSAL MATE-N-LOK™					
CHK R. SWING 6-11-91						
APVD D. SELF 6-11-91						
PRODUCT SPEC						
MATERIAL	FINISH	WEIGHT	SIZE A2	CAGE CODE 00779	DRAWING NO C=350537	RESTRICTED TO
CUSTOMER DRAWING		SCALE 1:1	SHEET 1 OF 1	REV AF		

## X-ON Electronics

Largest Supplier of Electrical and Electronic Components

*Click to view similar products for [Pin & Socket Connectors](#) category:*

*Click to view products by [TE Connectivity](#) manufacturer:*

Other Similar products are found below :

[6450822-1](#) [770392-1](#) [794042-1](#) [796885-1](#) [8-794535-1](#) [PLR3455ACS-222](#) [R929991004](#) [R929993003](#) [1403611-1](#) [1-480349-5](#) [152302-5](#)  
[153211-2](#) [1586092-1](#) [1586129-1](#) [1586681-4](#) [1586700-1](#) [1586368-1](#) [1586380-1](#) [1586616-1](#) [1586680-5](#) [16-06-0038](#) [164164-5](#) [1-6609930-1](#)  
[172296-1](#) [19-09-2035](#) [200503-1](#) [200788-2](#) [2029090-4](#) [2029095-4](#) [925061-7](#) [293734-4](#) [293737-2](#) [1-765362-4](#) [1871534-1](#) [200833-4](#)  
[2008625-2](#) [2029027-2](#) [2029096-4](#) [R929991000](#) [R929991002](#) [R929993000](#) [319-10-101-00-005000](#) [319-10-102-00-001000](#) [319-10-104-00-001000](#) [319-10-105-00-001000](#) [319-10-108-00-001000](#) [319-10-112-00-006000](#) [39-01-8019](#) [319-10-101-00-001000](#) [319-10-102-00-005000](#)