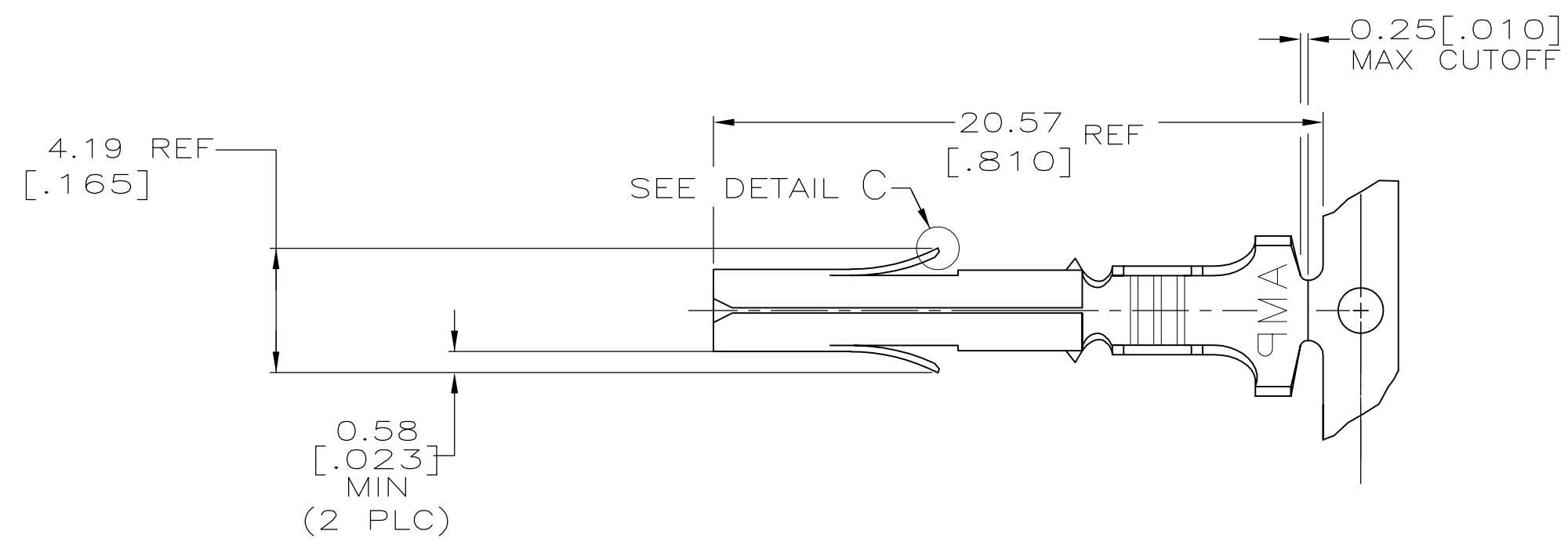


THIS DRAWING IS UNPUBLISHED. RELEASED FOR PUBLICATION  
 © COPYRIGHT - By - ALL RIGHTS RESERVED.

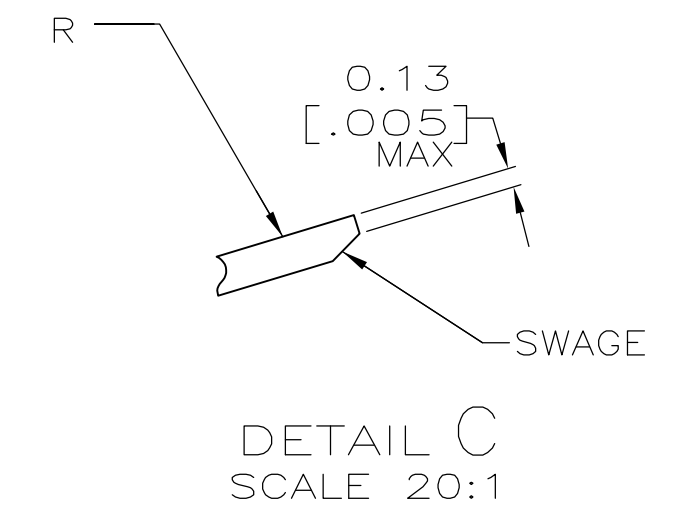
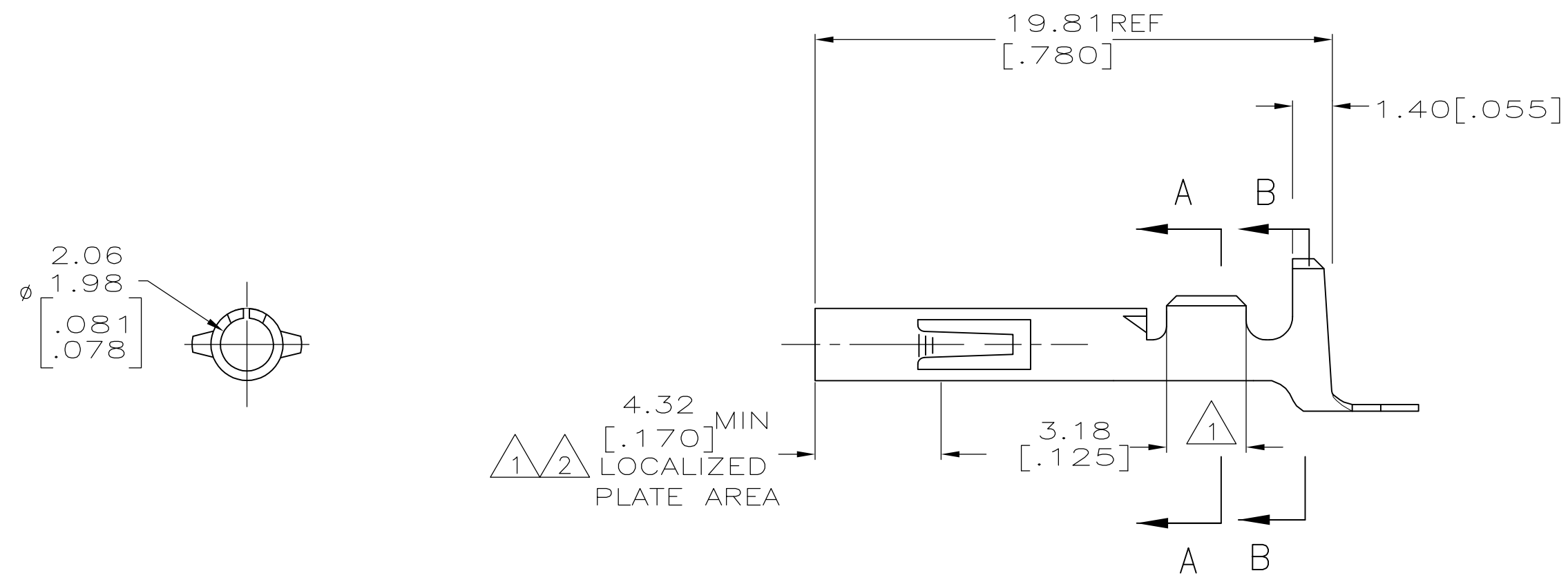
| LOC | DIST | REVISIONS                 |         |     |      |
|-----|------|---------------------------|---------|-----|------|
| P   | LTR  | DESCRIPTION               | DATE    | DWN | APVD |
| CM  | 53   | REVISED PER ECR-12-013323 | 09AUG12 | KH  | TM   |

D

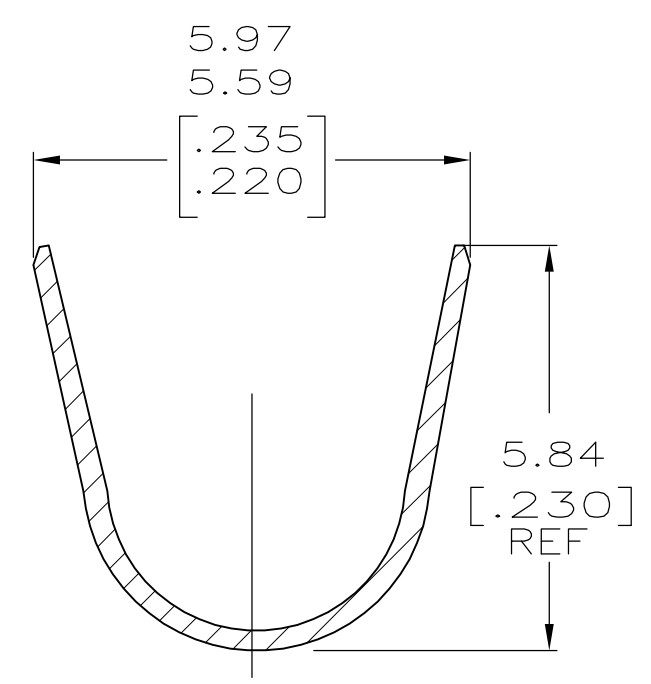
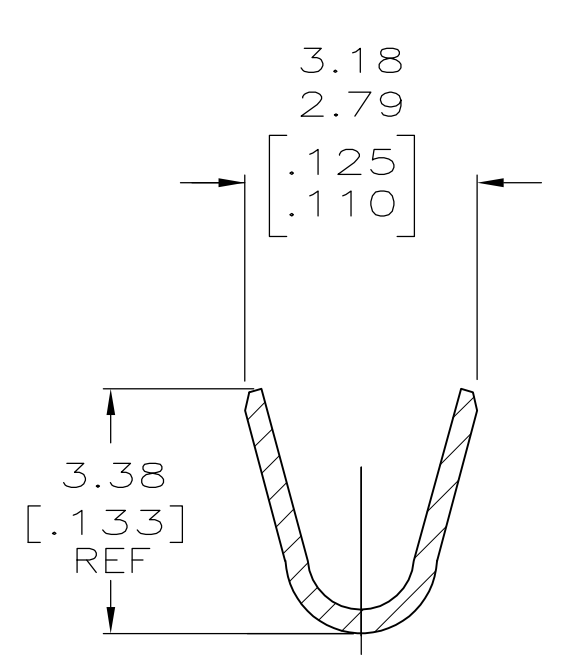


- 1 0.00076[.000030] THK GOLD OVER NICKEL ON INSIDE OF RECEPTACLE AND WIRE BARREL; REMAINDER OF CONTACT IS NICKEL PLATED.
- 2 0.00076[.000030] THK GOLD ON INSIDE OF RECEPTACLE; REMAINDER OF CONTACT IS NICKEL PLATED.
- 3 DIMENSIONS IN BRACKETS ARE IN INCHES.
- 4 PACKAGED AND SOLD IN PALLET LOADS ONLY. 44 REELS PER PALLET (110,000 CONTACTS).
- 5 LUBRICATED.
- 6 WIRE RANGE: 20-14 AWG  
INSULATION RANGE: 3.30-5.08 [.130-.200] DIA.

C



B



NOTE 5

| ITEM NO           | DESCRIPTION | FINISH | MATERIAL           | PART NO    |
|-------------------|-------------|--------|--------------------|------------|
| 350551-1          | TIN         |        | 350537-1           | 1-350537-2 |
| -                 | TIN         |        | MAKE FROM 350537-1 | 1-350537-1 |
| 350551-7          | GOLD        | 2      | 0.30 [.012] BRASS  | 350537-7   |
| 350551-6          | GOLD        | 2      | 0.30 [.012] PH BZ  | 350537-6   |
| 350551-3          | TIN         |        | 0.30 [.012] PH BZ  | 350537-3   |
| 350551-2          | GOLD        | 1      | 0.30 [.012] BRASS  | 350537-2   |
| 350551-1          | TIN         |        | 0.30 [.012] BRASS  | 350537-1   |
| LOOSE PIECE (REF) | FINISH      |        | MATERIAL           | PART NO    |

THIS DRAWING IS A CONTROLLED DOCUMENT.

|                             |   |              |                 |                    |                        |               |
|-----------------------------|---|--------------|-----------------|--------------------|------------------------|---------------|
| DWN<br>K. SALMON<br>6-11-91 | <br>TE Connectivity<br>SOCKET,<br>UNIVERSAL MATE-N-LOK™ |              |                 |                    |                        |               |
| CHK<br>R. SWING<br>6-11-91  |   |              |                 |                    |                        |               |
| APVD<br>D. SELF<br>6-11-91  |   |              |                 |                    |                        |               |
| PRODUCT SPEC                |   |              |                 |                    |                        |               |
| MATERIAL                    | FINISH  | WEIGHT       | SIZE<br>A2      | CAGE CODE<br>00779 | DRAWING NO<br>C=350537 | RESTRICTED TO |
| CUSTOMER DRAWING            |   | SCALE<br>1:1 | SHEET<br>1 OF 1 | REV<br>AF          |                        |               |

350537

## X-ON Electronics

Largest Supplier of Electrical and Electronic Components

*Click to view similar products for [Pin & Socket Connectors](#) category:*

*Click to view products by [TE Connectivity](#) manufacturer:*

Other Similar products are found below :

[6450822-1](#) [770392-1](#) [794042-1](#) [796885-1](#) [8-794535-1](#) [PLR3455ACS-222](#) [R929991004](#) [R929993003](#) [1403611-1](#) [1-480349-5](#) [152302-5](#)  
[153211-2](#) [1586092-1](#) [1586129-1](#) [1586681-4](#) [1586700-1](#) [1586368-1](#) [1586380-1](#) [1586616-1](#) [1586680-5](#) [16-06-0038](#) [164164-5](#) [1-6609930-1](#)  
[172296-1](#) [19-09-2035](#) [200503-1](#) [200788-2](#) [2029090-4](#) [2029095-4](#) [925061-7](#) [293734-4](#) [293737-2](#) [1-765362-4](#) [1871534-1](#) [200833-4](#)  
[2008625-2](#) [2029027-2](#) [2029096-4](#) [R929991000](#) [R929991002](#) [R929993000](#) [319-10-101-00-005000](#) [319-10-102-00-001000](#) [319-10-104-00-001000](#) [319-10-105-00-001000](#) [319-10-108-00-001000](#) [319-10-112-00-006000](#) [39-01-8019](#) [319-10-101-00-001000](#) [319-10-102-00-005000](#)