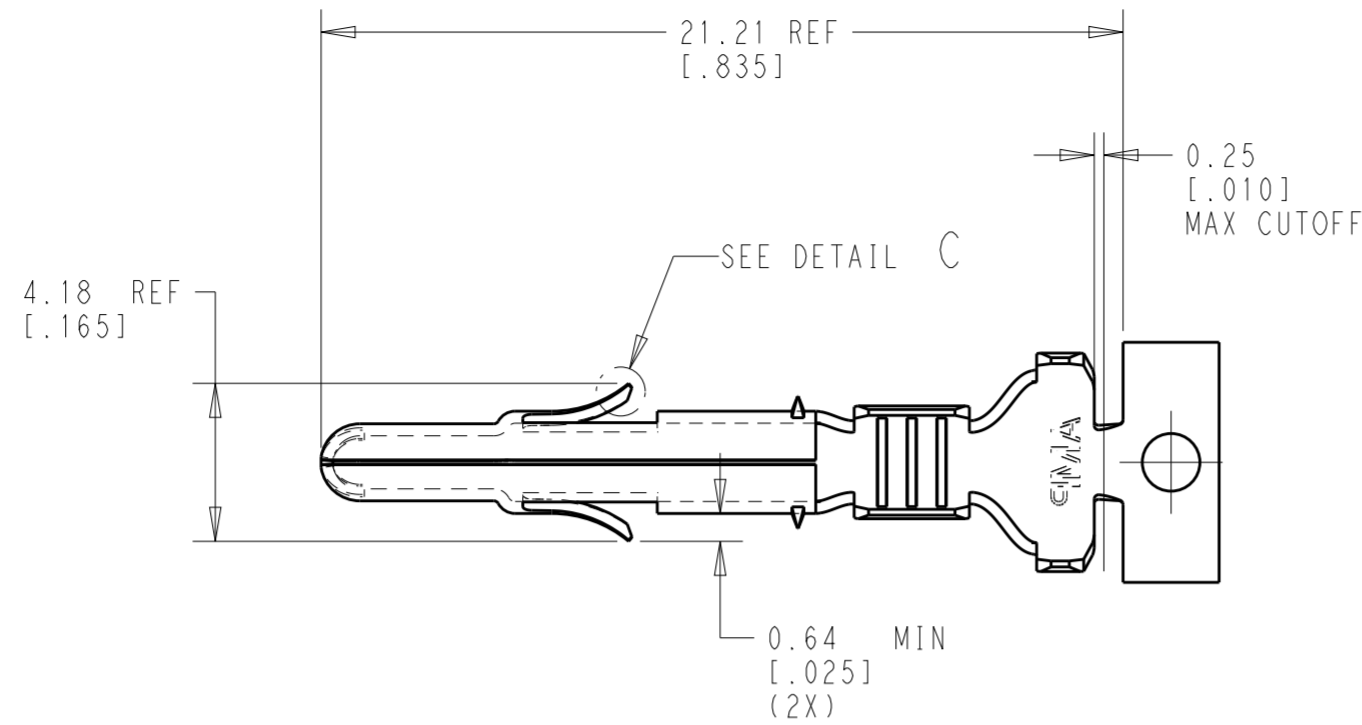
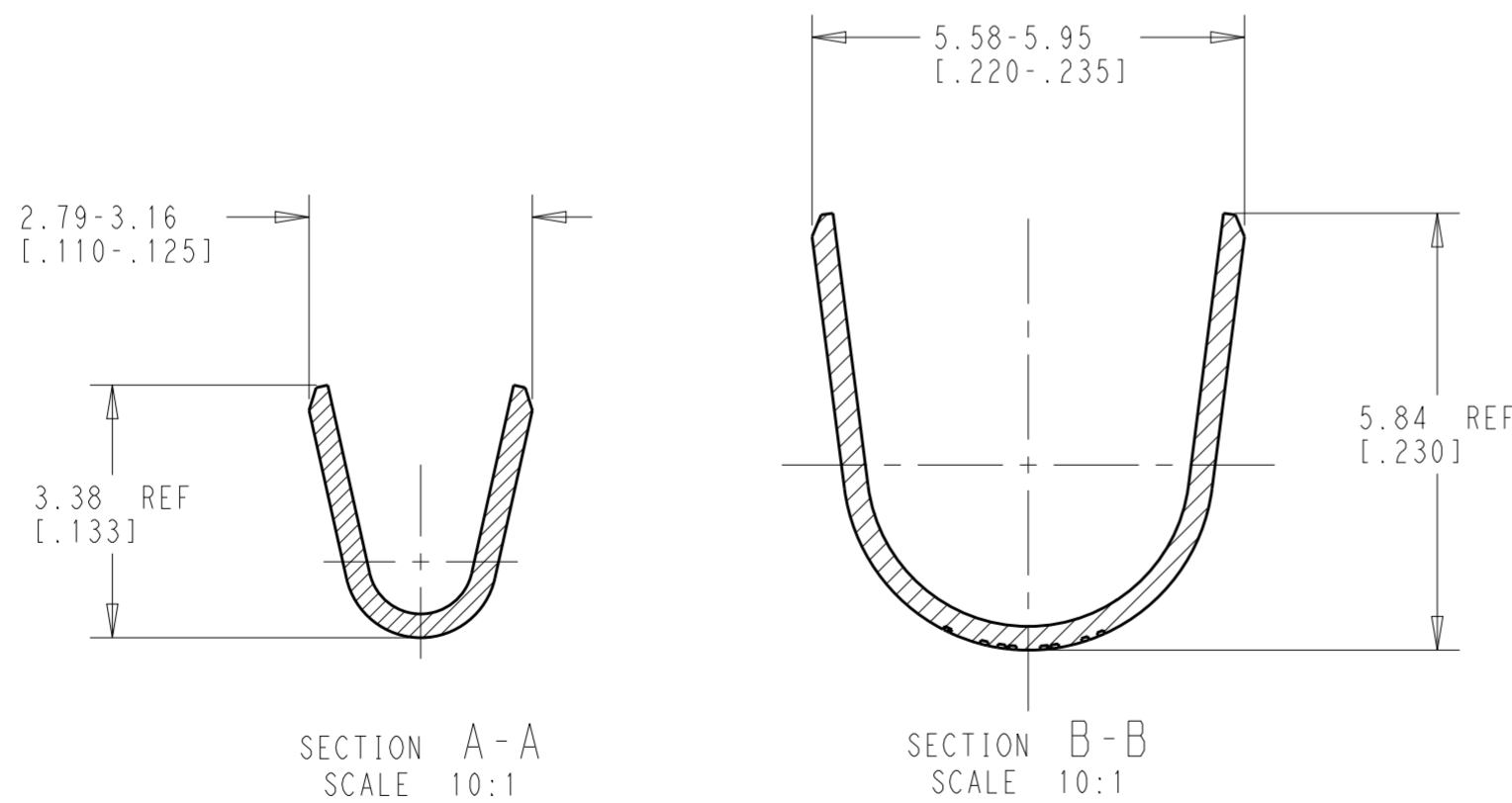
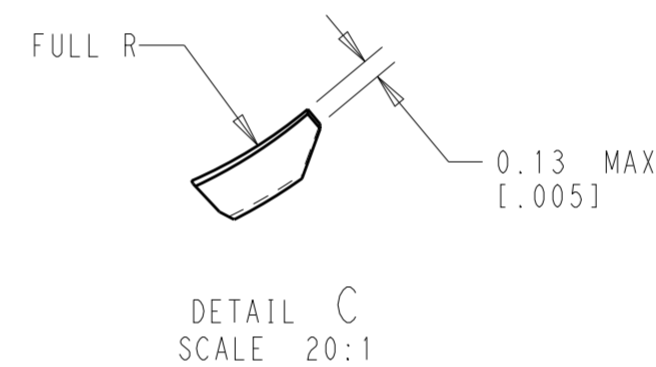
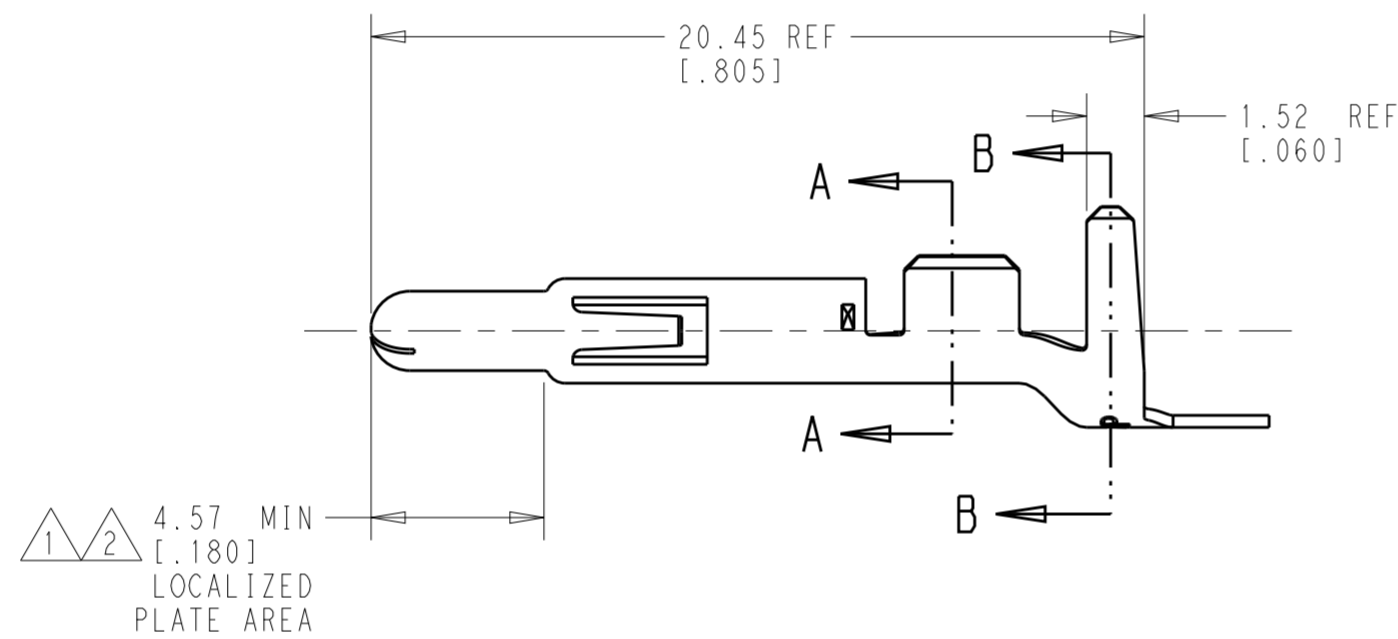
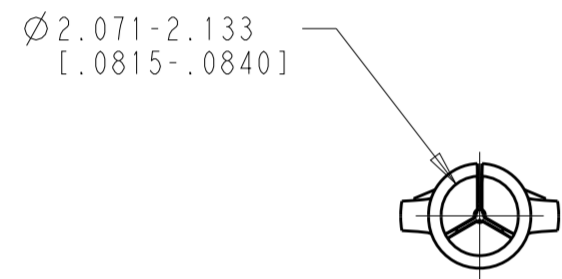


REVISIONS					
P	LTR	DESCRIPTION	DATE	DWN	APVD
	AC	REVISED PER ECO-19-006997	15MAY2019	BKW	SF
	AC1	REVISED PER ECO-19-006997	24JUL2019	BKW	SF



- 1 0.00076 [.000030] MIN THK GOLD IN LOCALIZED PLATE AREA AND 0.000127 [.000005] MIN THK GOLD FLASH ON REMAINDER OF CONTACT OVER 0.00127 [.000050] MIN THK NICKEL UNDERPLATE.
- 2 0.00076 [.000030] MIN THK GOLD IN LOCALIZED PLATE AREA OVER 0.00127 [.000050] MIN THK NICKEL UNDERPLATE.
- 3. DIMENSIONS IN BRACKETS ARE IN INCHES.
- 4. WIRE RANGE: 20-14 AWG  
INSULATION RANGE: 3.30-5.08 [.130-.200] DIAMETER



LOOSE PIECE (REF)	FINISH	MATERIAL	PART NUMBER
350552-7	GOLD $\frac{2}{2}$	0.30 [.012] BRASS	350538-7
350552-6	GOLD $\frac{2}{2}$	0.30 [.012] PH BZ	350538-6
350552-3	TIN	0.30 [.012] PH BZ	350538-3
350552-2	GOLD $\frac{1}{1}$	0.30 [.012] BRASS	350538-2
350552-1	TIN	0.30 [.012] BRASS	350538-1

THIS DRAWING IS A CONTROLLED DOCUMENT.		DWN B. WEAVER 15MAY2019	TE Connectivity	
DIMENSIONS: mm [IN]		CHK S. FERNANDES 15MAY2019		
TOLERANCES UNLESS OTHERWISE SPECIFIED:		APVD T. BENCHOFF 15MAY2019	NAME PIN, MATE-N-LOK, UNIVERSAL	
0 PLC ±		PRODUCT SPEC 108-1031	SIZE A2	
1 PLC ±		APPLICATION SPEC 114-1010	CAGE CODE 00779	DRAWING NO C-350538
2 PLC ±		WEIGHT -	RESTRICTED TO -	
3 PLC ±0.20 [.008]		CUSTOMER DRAWING	SCALE 5:1	SHEET 1 OF 1
4 PLC ±				REV AC1
ANGLES ±				
FINISH				
MATERIAL SEE TABLE				

## X-ON Electronics

Largest Supplier of Electrical and Electronic Components

*Click to view similar products for [Pin & Socket Connectors](#) category:*

*Click to view products by [TE Connectivity](#) manufacturer:*

Other Similar products are found below :

[6450822-1](#) [770392-1](#) [794042-1](#) [796885-1](#) [8-794535-1](#) [PLR3455ACS-222](#) [R929991004](#) [R929993003](#) [1403611-1](#) [1-480349-5](#) [152302-5](#)  
[153211-2](#) [1586092-1](#) [1586129-1](#) [1586681-4](#) [1586700-1](#) [1586368-1](#) [1586380-1](#) [1586616-1](#) [1586680-5](#) [16-06-0038](#) [164164-5](#) [1-6609930-1](#)  
[172296-1](#) [19-09-2035](#) [200503-1](#) [200788-2](#) [2029090-4](#) [2029095-4](#) [925061-7](#) [293734-4](#) [293737-2](#) [1-765362-4](#) [1871534-1](#) [200833-4](#)  
[2008625-2](#) [2029027-2](#) [2029096-4](#) [R929991000](#) [R929991002](#) [R929993000](#) [319-10-101-00-005000](#) [319-10-102-00-001000](#) [319-10-104-00-001000](#) [319-10-105-00-001000](#) [319-10-108-00-001000](#) [319-10-112-00-006000](#) [39-01-8019](#) [319-10-101-00-001000](#) [319-10-102-00-005000](#)