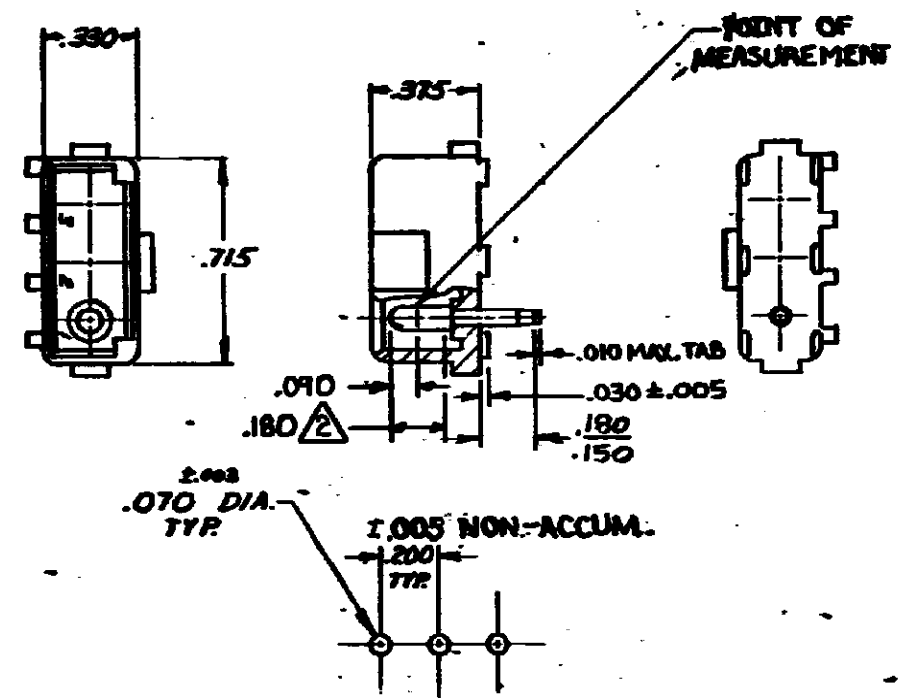


DRAWING MADE IN AMERICAN PROJECTION

WAS P-79-G102



RECOMMENDED LAYOUT FOR  
.062 THICK P.C. BOARD

1. PARTS COMPLY WITH TE SOLDERABILITY SPEC. 109-11-3  
 2. CONTACT IS PLATED OVERALL WITH .000050 NIKKEL, THEN .000030 GOLD OVER CONTACT LENGTH INDICATED AND TIN PLATED ON SOLDER TAIL END.

SUPERSEDED BY  
1586532-2

5-350541-2	NYLON - GREEN	COPPER ALLOY - GOLD
350541-2	NYLON NATURAL	COPPER ALLOY GOLD
350541-1	NYLON - NATURAL	COPPER ALLOY - PRE-TIN
ASSEMBLY NO	HSG. MATL & COLOR	PIN MATL & FINISH

L2	REVISED PER ECR-18-008156	JB/DZ	19 JUN 2018
L1	REVISED PER ECR-13-008342	AV/RS	12 NOV 2013
L	OBSOLETE 1-21 3-1,4,5,6,7,8 8-1,9,10,11,12,13 12,13,14,15,16,17,18	AV/RS	4-21-86

M	RESTORED	RS	11/76
K	REV. PER M-7375	RS	7/76
J	REV. PER M-7285	DH	7/76
H	ADDED NOTE 2 R-6197	DH	7/76
G	REVISED DIM FOR M-5134	DH	7/76
F	REV. TAIL LENGTH M-5334	DH	4/76
E	REVISED M-3932	DH	2-76
D	ECN M-3877	DW	9-76
C	RELEASED	DW	7/76
B	ECN M-3452	GV	7/76
A	ECN M-3152	EC	7/76

REQUIRED PER ASSEMBLY	DESCRIPTION

© 1973 BY AMP INCORPORATED. ALL RIGHTS RESERVED.  
AMP PRODUCTS COVERED BY PATENTS AND/OR PATENTS PENDING.

DR 5-20-73  
9. Eckman

CHK 4/1/73  
L. H. H. H. H. H.

DE 1/10/73  
J. H. H. H. H.

MP 4/10/73  
J. H. H. H. H.

MATERIAL AND FINISH  
SEE TABLE

WIRE RANGE - INSULATION  
H

TOLERANCE EXCEPT AS NOTED  
± .015 ± .10°

SCALE  
H

TYPE POSITIVE LOCK

CLASS .084 DIA. PIN

CM B NO 350541 L2

NAME 3 CIRCUIT MATE-N-LOK P.C. BOARD HEADER

DIMENSIONS IN INCHES, UNLESS OTHERWISE SPECIFIED

## X-ON Electronics

Largest Supplier of Electrical and Electronic Components

*Click to view similar products for [Pin & Socket Connectors](#) category:*

*Click to view products by [TE Connectivity](#) manufacturer:*

Other Similar products are found below :

[6450822-1](#) [770392-1](#) [794042-1](#) [796885-1](#) [8-794535-1](#) [PLR3455ACS-222](#) [R929991004](#) [R929993003](#) [1403611-1](#) [1-480349-5](#) [152302-5](#)  
[153211-2](#) [1586092-1](#) [1586129-1](#) [1586681-4](#) [1586700-1](#) [1586368-1](#) [1586380-1](#) [1586616-1](#) [1586680-5](#) [16-06-0038](#) [164164-5](#) [1-6609930-1](#)  
[172296-1](#) [19-09-2035](#) [200503-1](#) [200788-2](#) [2029090-4](#) [2029095-4](#) [925061-7](#) [293734-4](#) [293737-2](#) [1-765362-4](#) [1871534-1](#) [200833-4](#)  
[2008625-2](#) [2029027-2](#) [2029096-4](#) [R929991000](#) [R929991002](#) [R929993000](#) [319-10-101-00-005000](#) [319-10-102-00-001000](#) [319-10-104-00-001000](#) [319-10-105-00-001000](#) [319-10-108-00-001000](#) [319-10-112-00-006000](#) [39-01-8019](#) [319-10-101-00-001000](#) [319-10-102-00-005000](#)