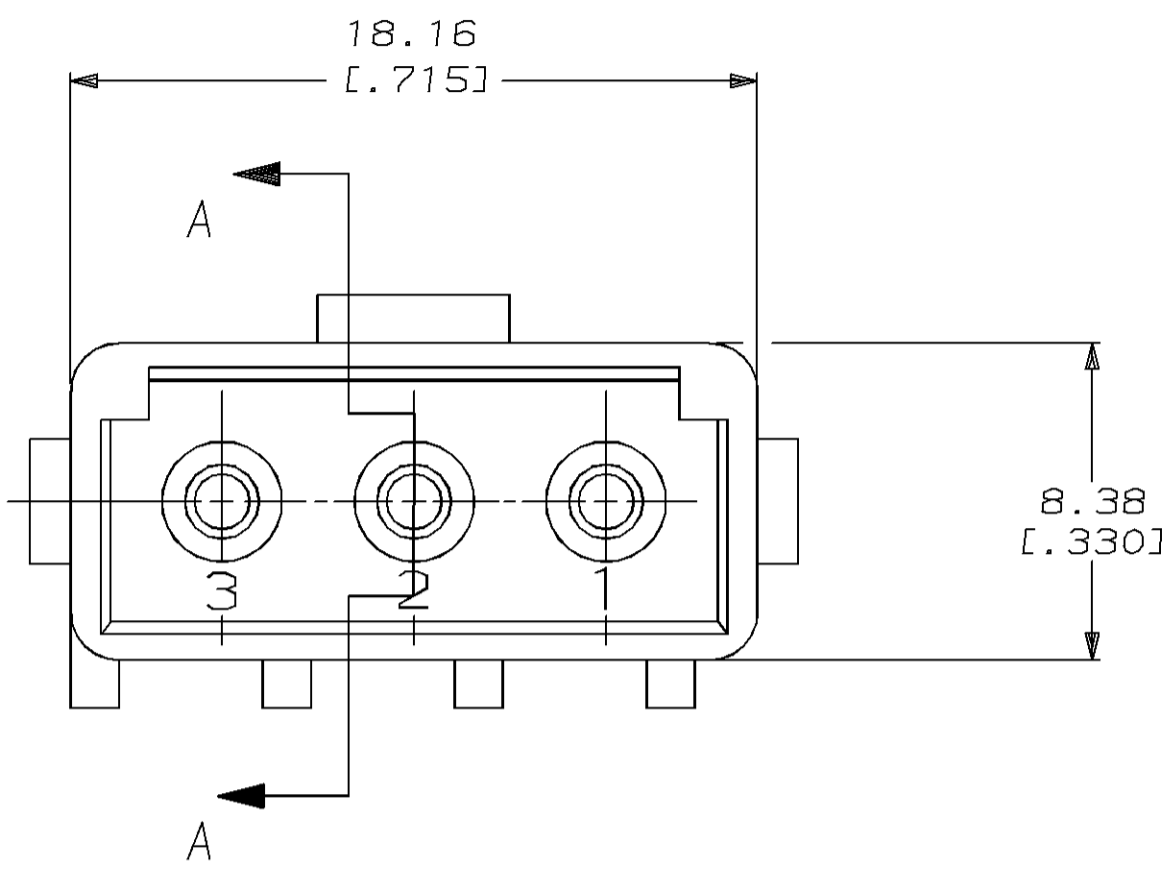
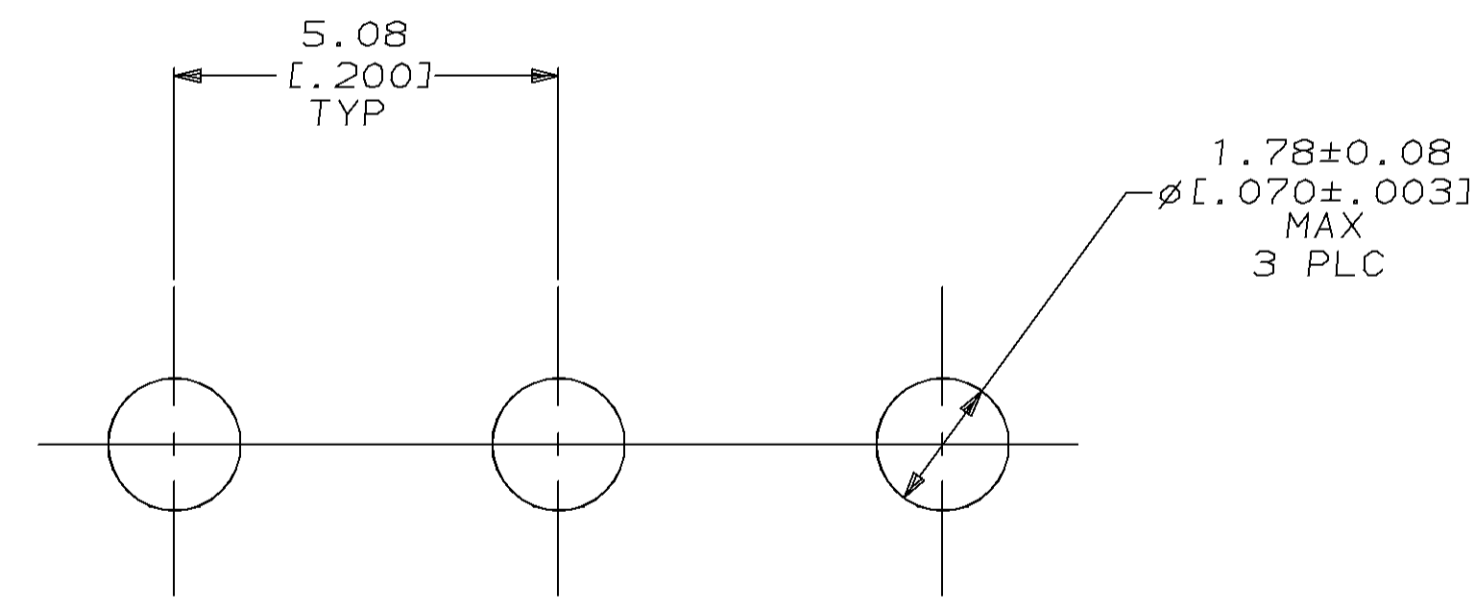


THIS DRAWING IS UNPUBLISHED.
 RELEASED FOR PUBLICATION
 BY AMP INCORPORATED. ALL RIGHTS RESERVED.

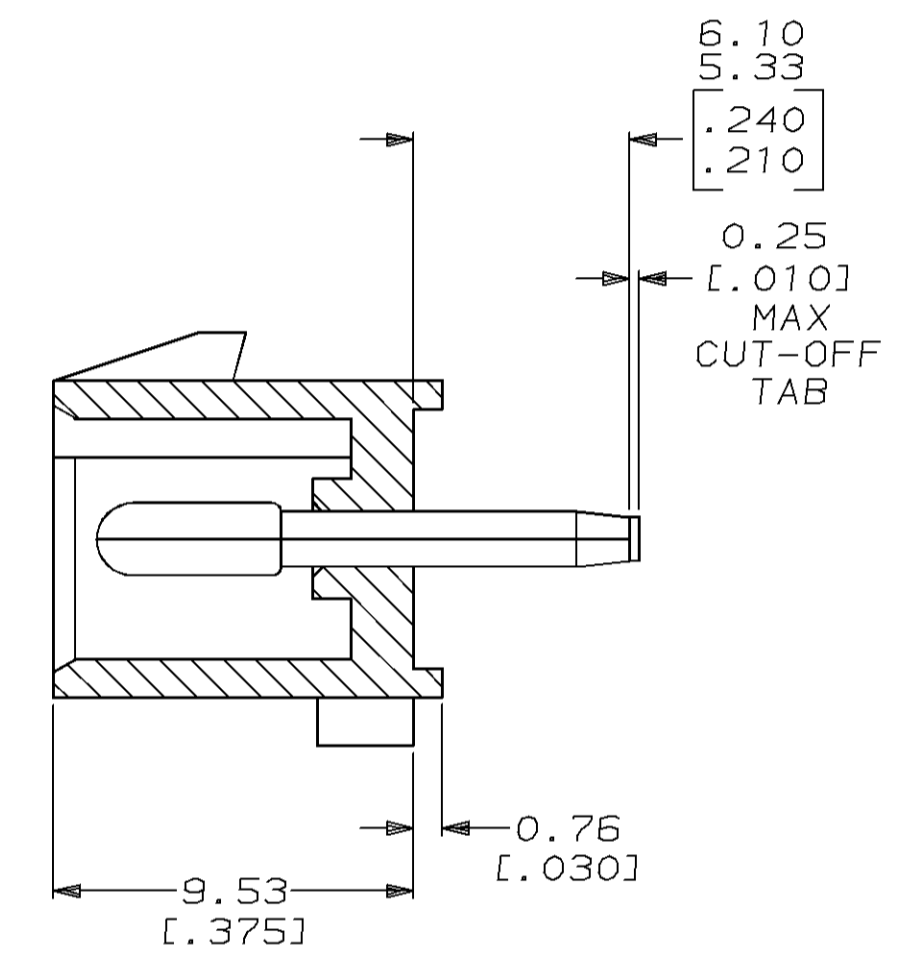
LOC		DST		REVISIONS			
P	LTR	DESCRIPTION		DATE	DWN	APVD	
CM	53	N		REACTIVATED -1 PER PR CM 94-73	7-25-94	KS	RS
				REV & REDWN PER EC 0730-0121-94			



- PARTS MUST COMPLY WITH AMP SOLDERABILITY SPECIFICATION 109-11-3.
- DIMENSIONS IN BRACKETS ARE IN INCHES.



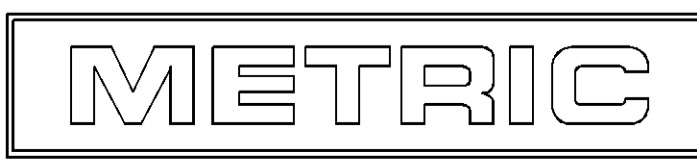
RECOMMENDED P.C. BOARD LAYOUT
 FOR 3.18 [0.125] THICK P.C. BOARD
 SCALE 10:1



SECTION A-A

COPPER ALLOY, PRE-TIN	NYLON 6/6, NATURAL	350542-1
PIN CONTACT MATERIAL & FINISH	HOUSING MATERIAL & COLOR	PART NUMBER

<small>THIS DRAWING IS A CONTROLLED DOCUMENT FOR AMP INCORPORATED. IT IS SUBJECT TO CHANGE AND THE CONTROLLING ENGINEERING ORGANIZATION SHOULD BE CONTACTED FOR THE LATEST REVISION.</small>		DWN	7-25-94	AMP Incorporated Harrisburg, PA 17105-3608		
DIMENSIONS:		CHK	7-25-94			
mm [INCHES]		APVD	7-28-94			
		NAME	C. MARTIN			
TOLERANCES UNLESS OTHERWISE SPECIFIED:		PRODUCT SPEC		HEADER ASSEMBLY, 3 CIRCUIT, COMMERCIAL MATE-N-LOK		
0 PLC ±- 1 PLC ±- 2 PLC ±0.13(.005) 3 PLC ±- 4 PLC ±-		APPLICATION SPEC		SIZE	CAGE CODE	DRAWING NO
ANGLES ±0°30'		WEIGHT	-	A2	00779	©=350542
FINISH		CUSTOMER DRAWING		SCALE	SHEET	REV
SEE TABLE				5:1	1 OF 1	N



X-ON Electronics

Largest Supplier of Electrical and Electronic Components

Click to view similar products for [Pin & Socket Connectors](#) category:

Click to view products by [TE Connectivity](#) manufacturer:

Other Similar products are found below :

[6450822-1](#) [770392-1](#) [794042-1](#) [796885-1](#) [8-794535-1](#) [PLR3455ACS-222](#) [R929991004](#) [R929993003](#) [1403611-1](#) [1-480349-5](#) [152302-5](#)
[153211-2](#) [1586092-1](#) [1586129-1](#) [1586681-4](#) [1586700-1](#) [1586368-1](#) [1586380-1](#) [1586616-1](#) [1586680-5](#) [16-06-0038](#) [164164-5](#) [1-6609930-1](#)
[172296-1](#) [19-09-2035](#) [200503-1](#) [200788-2](#) [2029090-4](#) [2029095-4](#) [925061-7](#) [293734-4](#) [293737-2](#) [1-765362-4](#) [1871534-1](#) [200833-4](#)
[2008625-2](#) [2029027-2](#) [2029096-4](#) [R929991000](#) [R929991002](#) [R929993000](#) [319-10-101-00-005000](#) [319-10-102-00-001000](#) [319-10-104-00-001000](#) [319-10-105-00-001000](#) [319-10-108-00-001000](#) [319-10-112-00-006000](#) [39-01-8019](#) [319-10-101-00-001000](#) [319-10-102-00-005000](#)