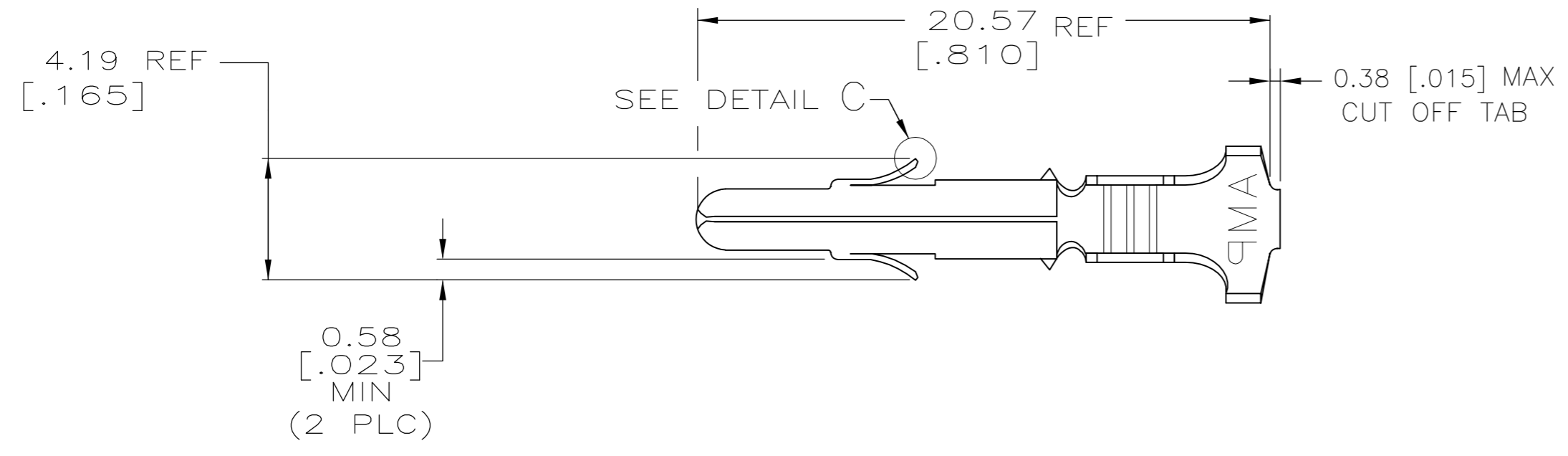
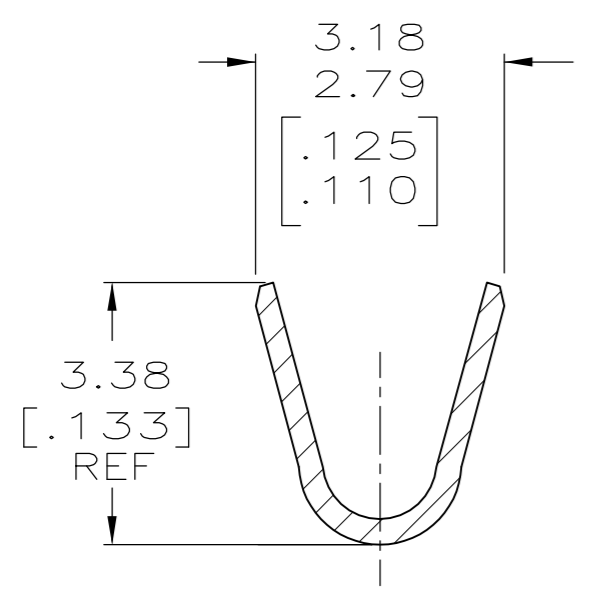
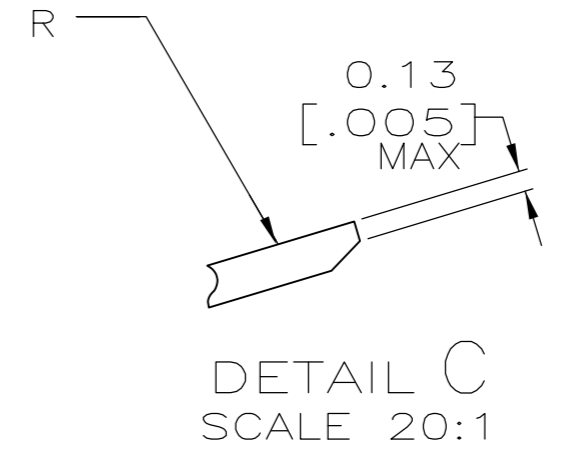
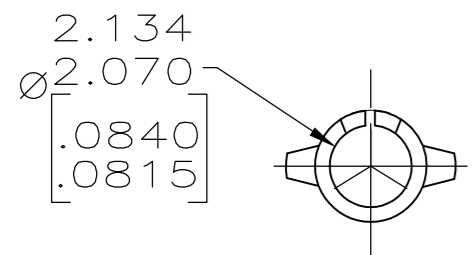
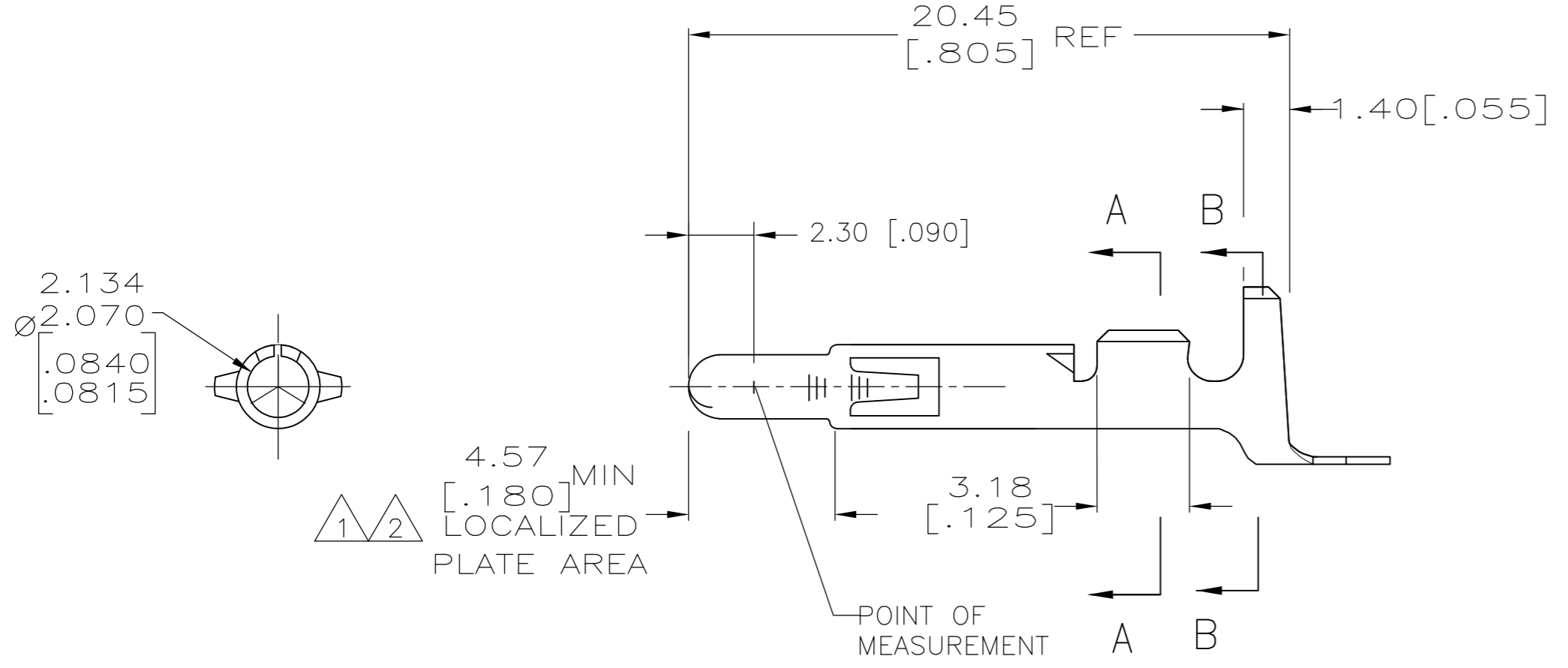


THIS DRAWING IS UNPUBLISHED. RELEASED FOR PUBLICATION
 © COPYRIGHT - By - ALL RIGHTS RESERVED.

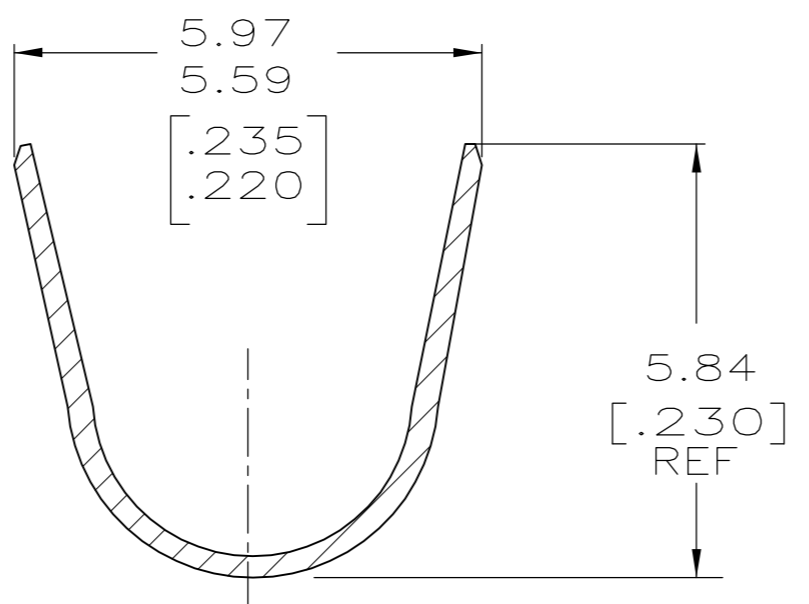
LOC		DIST		REVISIONS			
P	LTR	DESCRIPTION	DATE	DWN	APVD		
	T	REVISED PER ECR-12-013323	09AUG12	KH	TM		
	T1	REVISED PER ECR-14-001607	11FEB14	AV	GK		



- 1 PLATED WITH 0.00076[.000030] GOLD OVER 0.00127[.000050] MIN THK NICKEL UNDERPLATE.
- 2 GOLD OVER NICKEL ON ENTIRE STAMPING; 0.00076[.000030] GOLD MINIMUM AT OINT OF MEASUREMENT IN CONTACT AREA, GOLD FLASH MINIMUM IN WIRE BARREL.
- 3 DIMENSIONS IN BRACKETS ARE IN INCHES.
- 4 WIRE RANGE: 20-14 AWG
INSULATION RANGE : 3.30-5.08 [.130-.200] DIA.



SECTION A-A
SCALE 10:1



SECTION B-B
SCALE 10:1

FINISH	MATERIAL	PART NO
GOLD 2	0.30 [.012] BRASS	350552-7
GOLD 2	0.30 [.012] PH BZ	350552-6
TIN	0.30 [.012] PH BZ	350552-3
GOLD 1	0.30 [.012] BRASS	350552-2
TIN	0.30 [.012] BRASS	350552-1

THIS DRAWING IS A CONTROLLED DOCUMENT.

DIMENSIONS: mm [INCHES]	TOLERANCES UNLESS OTHERWISE SPECIFIED: 0 PLC ± - 1 PLC ± - 2 PLC ± 0.13 [.005] 3 PLC ± - 4 PLC ± - ANGLES ± 0°30'	DWN K. WHITAKER 12NOV2004 CHK S. RIDGILL 12NOV2004 APVD S. RIDGILL 12NOV2004	NAME PIN, (LOOSE PIECE), UNIVERSAL MATE-N-LOK™
MATERIAL	FINISH	WEIGHT	SIZE CAGE CODE DRAWING NO RESTRICTED TO A2 00779 C=350552 -
CUSTOMER DRAWING		SCALE 5:1	SHEET 1 OF 1 REV T1

X-ON Electronics

Largest Supplier of Electrical and Electronic Components

Click to view similar products for [Pin & Socket Connectors](#) category:

Click to view products by [TE Connectivity](#) manufacturer:

Other Similar products are found below :

[6450822-1](#) [770392-1](#) [794042-1](#) [796885-1](#) [8-794535-1](#) [PLR3455ACS-222](#) [R929991004](#) [R929993003](#) [1403611-1](#) [1-480349-5](#) [152302-5](#)
[153211-2](#) [1586092-1](#) [1586129-1](#) [1586681-4](#) [1586700-1](#) [1586368-1](#) [1586380-1](#) [1586616-1](#) [1586680-5](#) [16-06-0038](#) [164164-5](#) [1-6609930-1](#)
[172296-1](#) [19-09-2035](#) [200503-1](#) [200788-2](#) [2029090-4](#) [2029095-4](#) [925061-7](#) [293734-4](#) [293737-2](#) [1-765362-4](#) [1871534-1](#) [200833-4](#)
[2008625-2](#) [2029027-2](#) [2029096-4](#) [R929991000](#) [R929991002](#) [R929993000](#) [319-10-101-00-005000](#) [319-10-102-00-001000](#) [319-10-104-00-001000](#) [319-10-105-00-001000](#) [319-10-108-00-001000](#) [319-10-112-00-006000](#) [39-01-8019](#) [319-10-101-00-001000](#) [319-10-102-00-005000](#)