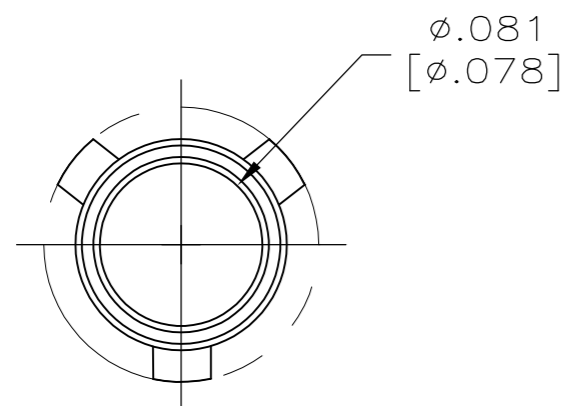
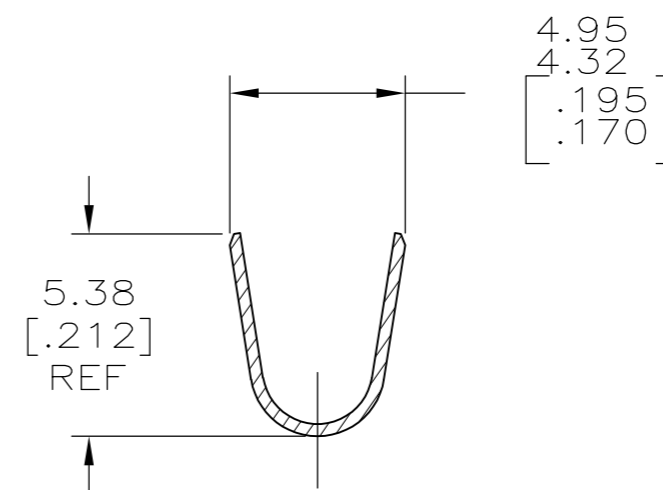
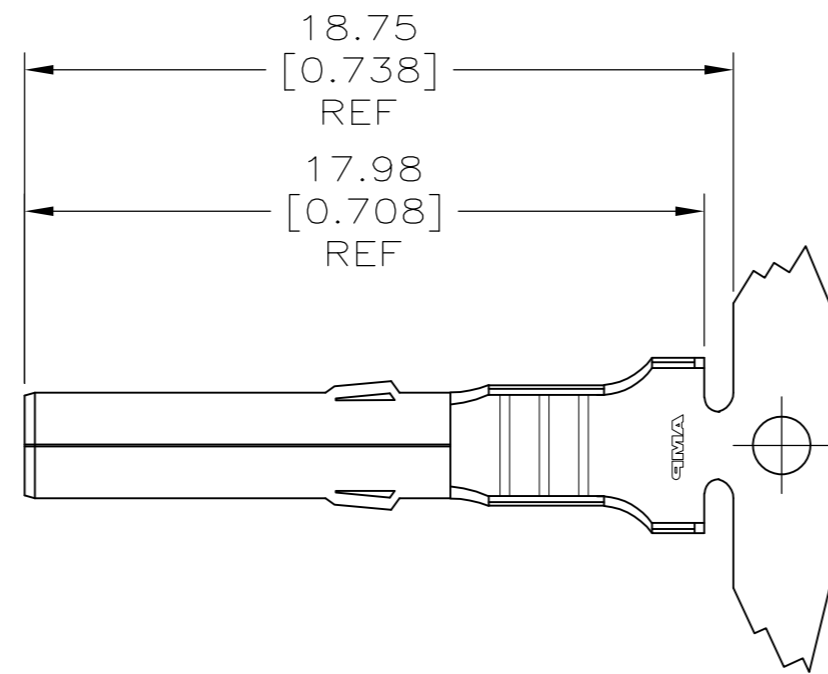


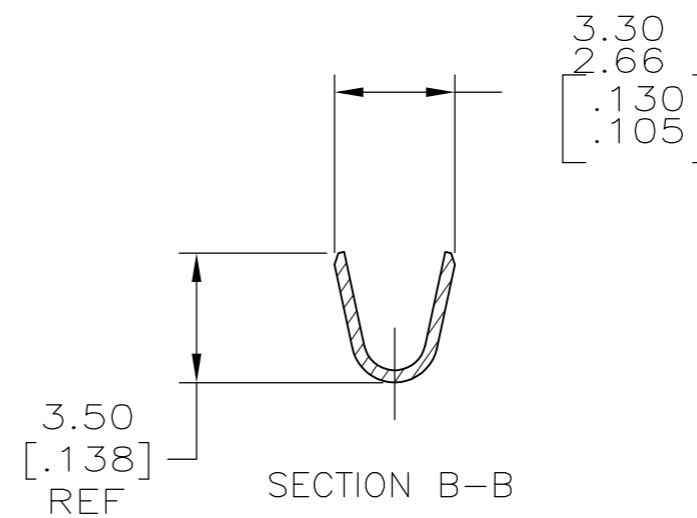
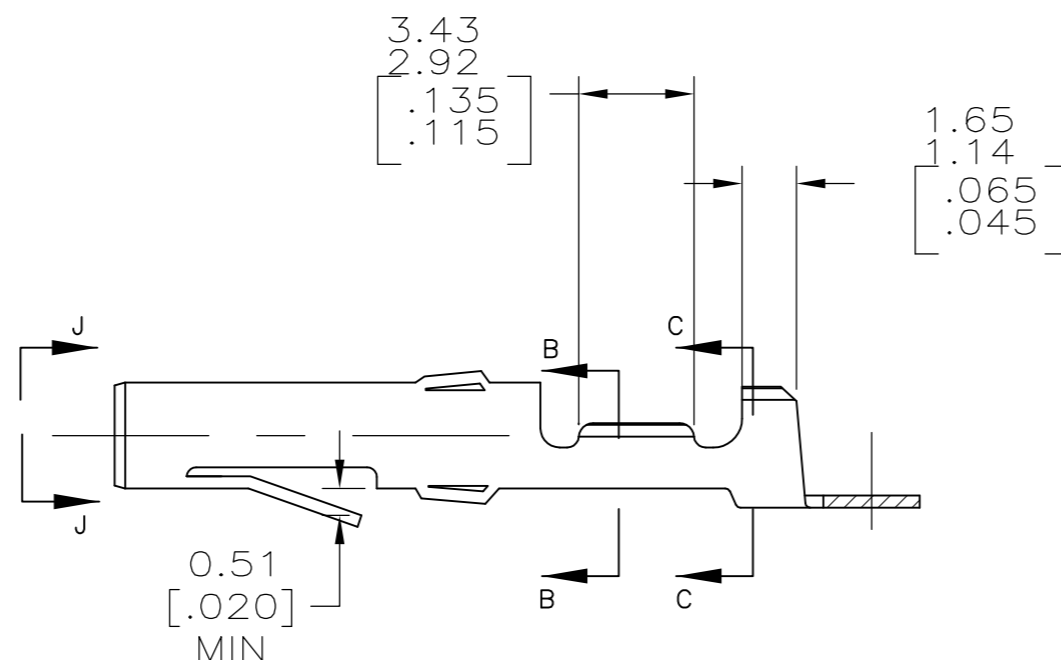
THIS DRAWING IS UNPUBLISHED. RELEASED FOR PUBLICATION  
 © COPYRIGHT - By - ALL RIGHTS RESERVED.

LOC		DIST		REVISIONS			
P	LTR	DESCRIPTION		DATE	DWN	APVD	
CM	00	H		REVISED PER ECR-12-001565	31JAN12	KH	TM

- 1 WIRE RANGE: 2 WIRES OF 0.8 – 0.9 mm<sup>2</sup> [18 AWG] OR 1 WIRE OF 0.8 – 0.9 mm<sup>2</sup> [18 AWG] AND 1 WIRE OF 1.25 – 1.4 mm<sup>2</sup> [16 AWG].
- 2 INSULATION RANGE: 2 WIRES OF 2.92 [.115] MAX DIA EACH, STACKED.
- 3 DIMENSIONS IN BRACKETS ARE IN INCHES.



VIEW J-J  
SCALE 20:1



PRE-TIN	PH.BRONZE	350557-4
PRE-TIN	BRASS	350557-1
FINISH	MATERIAL	PART NO

THIS DRAWING IS A CONTROLLED DOCUMENT.		DWN RAGHAVENDRA 23OCT2008	TE Connectivity																			
DIMENSIONS: mm [INCHES]		CHK CASH CHRIS 23OCT2008	MATE-N-LOK SOCKET																			
TOLERANCES UNLESS OTHERWISE SPECIFIED:		APVD CASH CHRIS 23OCT2008																				
<table border="0"> <tr><td>0 PLC</td><td>±</td><td>-</td></tr> <tr><td>1 PLC</td><td>±</td><td>-</td></tr> <tr><td>2 PLC</td><td>±</td><td>-</td></tr> <tr><td>3 PLC</td><td>±</td><td>0.01</td></tr> <tr><td>4 PLC</td><td>±</td><td>-</td></tr> <tr><td>ANGLES</td><td>±</td><td>1°0'</td></tr> </table>		0 PLC	±	-	1 PLC	±	-	2 PLC	±	-	3 PLC	±	0.01	4 PLC	±	-	ANGLES	±	1°0'	PRODUCT SPEC -	NAME	
0 PLC	±	-																				
1 PLC	±	-																				
2 PLC	±	-																				
3 PLC	±	0.01																				
4 PLC	±	-																				
ANGLES	±	1°0'																				
MATERIAL SEE TABLE	FINISH SEE TABLE	APPLICATION SPEC -	SIZE A2	CAGE CODE 00779	DRAWING NO C-350557	RESTRICTED TO -																
CUSTOMER DRAWING			SCALE 5:1	SHEET 1 of 1	REV H																	

## X-ON Electronics

Largest Supplier of Electrical and Electronic Components

*Click to view similar products for [Pin & Socket Connectors](#) category:*

*Click to view products by [TE Connectivity](#) manufacturer:*

Other Similar products are found below :

[6450822-1](#) [770392-1](#) [794042-1](#) [796885-1](#) [8-794535-1](#) [PLR3455ACS-222](#) [R929991004](#) [R929993003](#) [1403611-1](#) [1-480349-5](#) [152302-5](#)  
[153211-2](#) [1586092-1](#) [1586129-1](#) [1586681-4](#) [1586700-1](#) [1586368-1](#) [1586380-1](#) [1586616-1](#) [1586680-5](#) [16-06-0038](#) [164164-5](#) [1-6609930-1](#)  
[172296-1](#) [19-09-2035](#) [200503-1](#) [200788-2](#) [2029090-4](#) [2029095-4](#) [925061-7](#) [293734-4](#) [293737-2](#) [1-765362-4](#) [1871534-1](#) [200833-4](#)  
[2008625-2](#) [2029027-2](#) [2029096-4](#) [R929991000](#) [R929991002](#) [R929993000](#) [319-10-101-00-005000](#) [319-10-102-00-001000](#) [319-10-104-00-001000](#) [319-10-105-00-001000](#) [319-10-108-00-001000](#) [319-10-112-00-006000](#) [39-01-8019](#) [319-10-101-00-001000](#) [319-10-102-00-005000](#)