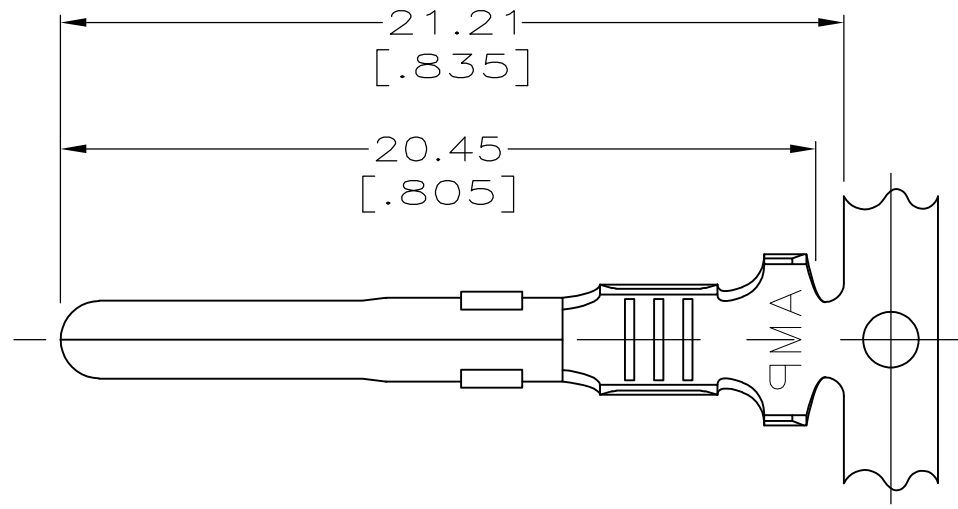
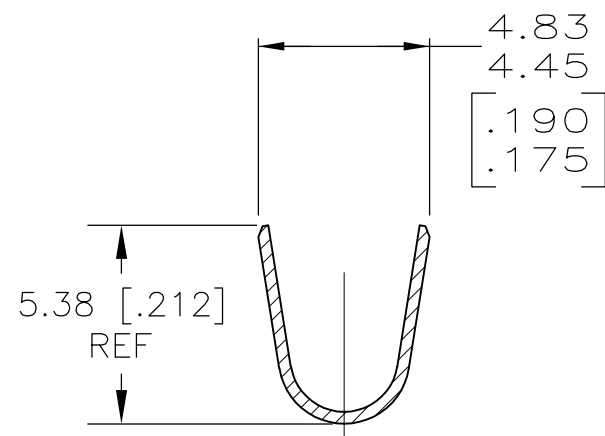
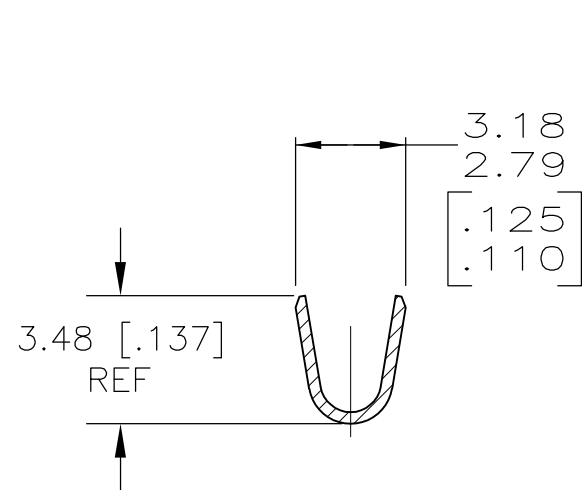
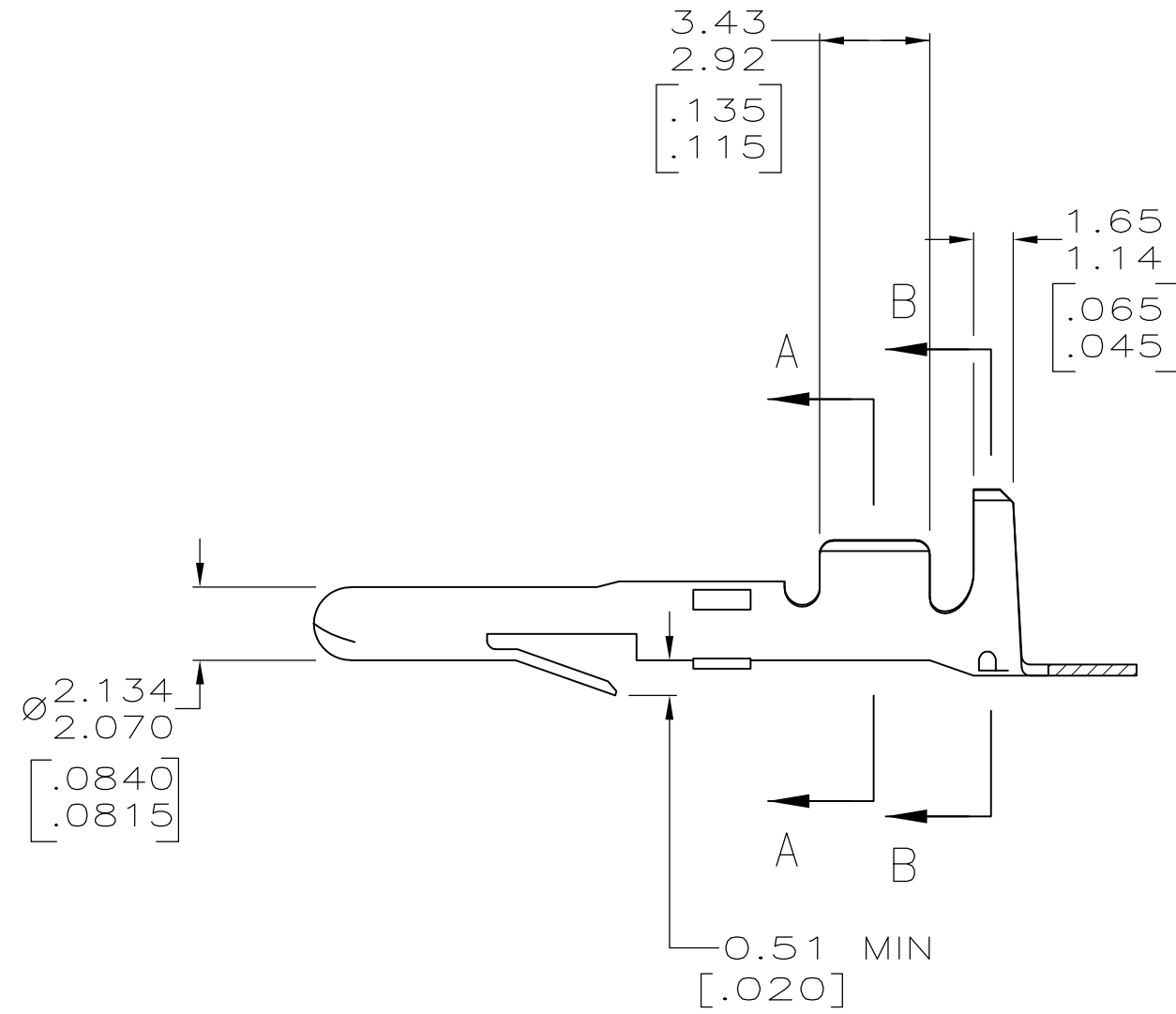


THIS DRAWING IS UNPUBLISHED. RELEASED FOR PUBLICATION
 © COPYRIGHT - By - ALL RIGHTS RESERVED.

LOC	DIST	REVISIONS			
P	LTR	DESCRIPTION	DATE	DWN	APVD
CM	53	L1	REV PER ECR 12-013810	24SEPT12	JR TM



1. WIRE RANGE: 2 WIRES OF 0.8 – 0.9 mm² [18 AWG] OR 1 WIRE OF 0.8 – 0.9 mm² [18 AWG] AND 1 WIRE OF 1.25 – 1.4 mm² [16 AWG].
2. INSULATION RANGE: 2 WIRES OF 2.92 [.115] MAX DIA EACH, STACKED.
3. DIMENSIONS IN BRACKETS ARE IN INCHES.



SECTION A-A

SECTION B-B

METRIC

PRE-TIN	0.30 [.012] PH BRZ	350558-4
PRE-TIN	0.30 [.012] BRASS	350558-1
FINISH	MATERIAL	PART NO.

THIS DRAWING IS A CONTROLLED DOCUMENT.		DWN T. BECK 1-20-93	STE TE Connectivity	
DIMENSIONS: MM [INCHES]		CHK R. SWING 1-20-93		
TOLERANCES UNLESS OTHERWISE SPECIFIED:		APVD C. MARTIN 1-25-93	NAME PIN, MATE-N-LOK	
0 PLC ± -		PRODUCT SPEC	-	
1 PLC ± -		APPLICATION SPEC	-	
2 PLC ± 0.25 [.010]		WEIGHT	-	
3 PLC ± -		SIZE	A2	RESTRICTED TO
4 PLC ± -		CAGE CODE	00779	DRAWING NO 350558
ANGLES ± -		SCALE	5:1	
FINISH		SHEET	1 of 1	REV L1
MATERIAL SEE TABLE	FINISH SEE TABLE	CUSTOMER DRAWING		

X-ON Electronics

Largest Supplier of Electrical and Electronic Components

Click to view similar products for [Pin & Socket Connectors](#) category:

Click to view products by [TE Connectivity](#) manufacturer:

Other Similar products are found below :

[6450822-1](#) [770392-1](#) [794042-1](#) [796885-1](#) [8-794535-1](#) [PLR3455ACS-222](#) [R929991004](#) [R929993003](#) [1403611-1](#) [1-480349-5](#) [152302-5](#)
[153211-2](#) [1586092-1](#) [1586129-1](#) [1586681-4](#) [1586700-1](#) [1586368-1](#) [1586380-1](#) [1586616-1](#) [1586680-5](#) [16-06-0038](#) [164164-5](#) [1-6609930-1](#)
[172296-1](#) [19-09-2035](#) [200503-1](#) [200788-2](#) [2029090-4](#) [2029095-4](#) [925061-7](#) [293734-4](#) [293737-2](#) [1-765362-4](#) [1871534-1](#) [200833-4](#)
[2008625-2](#) [2029027-2](#) [2029096-4](#) [R929991000](#) [R929991002](#) [R929993000](#) [319-10-101-00-005000](#) [319-10-102-00-001000](#) [319-10-104-00-001000](#) [319-10-105-00-001000](#) [319-10-108-00-001000](#) [319-10-112-00-006000](#) [39-01-8019](#) [319-10-101-00-001000](#) [319-10-102-00-005000](#)