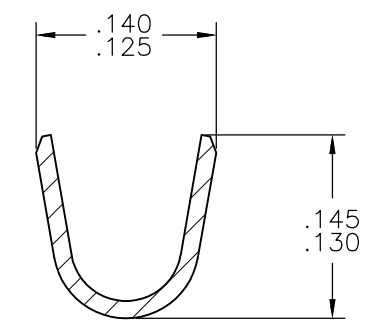
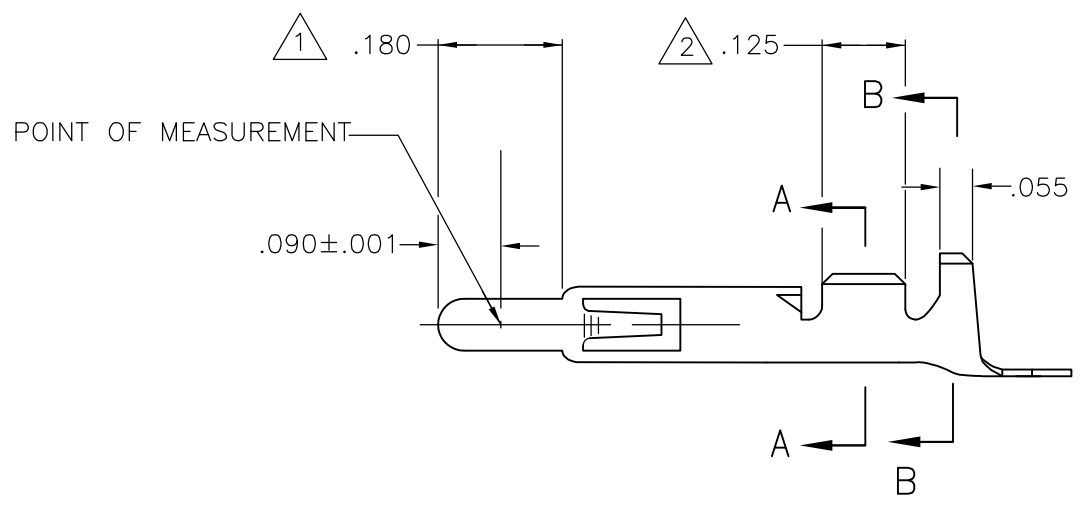
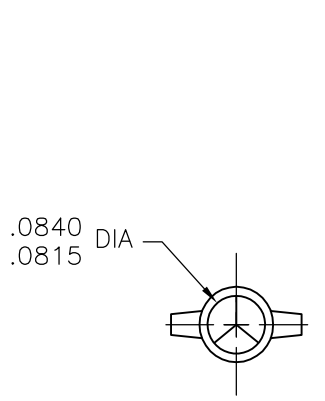
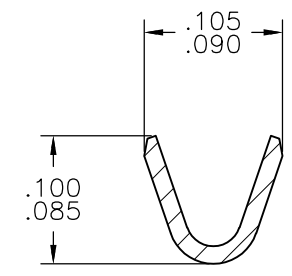
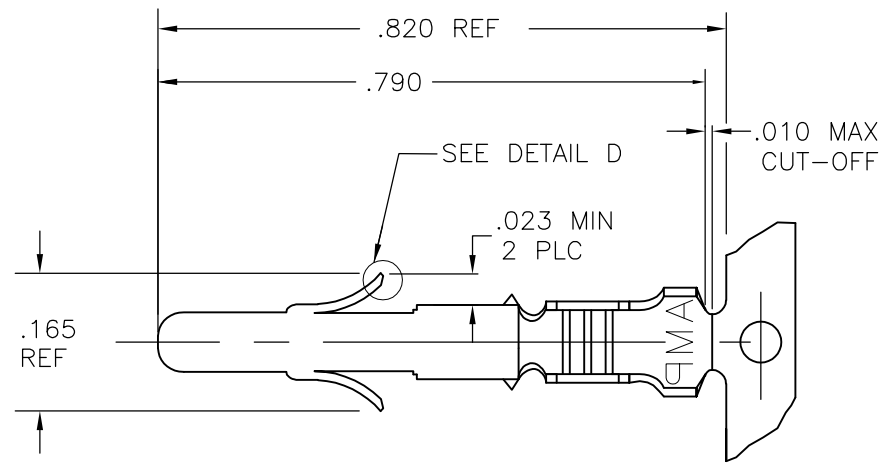
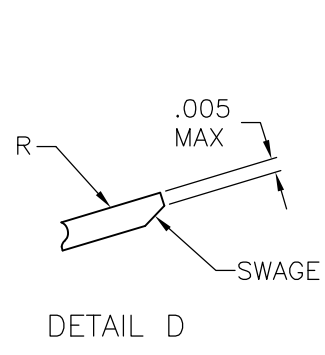


THIS DRAWING IS UNPUBLISHED. RELEASED FOR PUBLICATION  
 © COPYRIGHT - By - ALL RIGHTS RESERVED.

LOC		DIST		REVISIONS			
P	LTR	DESCRIPTION		DATE	DWN	APVD	
	Z	REVISED PER ECR-12-013323		10AUG2012	KH	TM	
	Z1	REVISED PER ECR-14-008840		08JUL2014	AV	KD	



- 1 PLATED WITH .000030 GOLD, OVER .000050 NICKEL UNDERPLATE.
- 2 PLATED INTERNALLY WITH .000030 GOLD.
- 3 WIRE RANGE: 24-18 AWG AND INSULATION RANGE: .040-.100 DIA.

LOOSE PIECE (REF)	FINISH	MATERIAL	PART NUMBER
350690-7	GOLD 1	.012 BRASS	350561-7
350690-3	PRE-TIN	.012 PH. BRZ.	350561-3
350690-2	GOLD 1 2	.012 BRASS	350561-2
350690-1	PRE-TIN		350561-1

THIS DRAWING IS A CONTROLLED DOCUMENT.

DIMENSIONS: INCHES	TOLERANCES UNLESS OTHERWISE SPECIFIED:	DWN M.FEHER 05JUN81	TE Connectivity	
	0 PLC ± - 1 PLC ± - 2 PLC ± - 3 PLC ± .010 4 PLC ± - ANGLES ± 1°	CHK DSH 09JUN81	PIN, UNIVERSAL MATE-N-LOK	
MATERIAL	FINISH	APVD RPL 10JUN81	SIZE A2	CAGE CODE 00779
-	-	PRODUCT SPEC 108-1031	DRAWING NO C=350561	RESTRICTED TO -
		APPLICATION SPEC 114-1010	SCALE 4:1	SHEET 1 of 1
		WEIGHT -	REV Z1	
		CUSTOMER DRAWING		

350561

## X-ON Electronics

Largest Supplier of Electrical and Electronic Components

*Click to view similar products for [Pin & Socket Connectors](#) category:*

*Click to view products by [TE Connectivity](#) manufacturer:*

Other Similar products are found below :

[6450822-1](#) [770392-1](#) [794042-1](#) [796885-1](#) [8-794535-1](#) [PLR3455ACS-222](#) [R929991004](#) [R929993003](#) [1403611-1](#) [1-480349-5](#) [152302-5](#)  
[153211-2](#) [1586092-1](#) [1586129-1](#) [1586681-4](#) [1586700-1](#) [1586368-1](#) [1586380-1](#) [1586616-1](#) [1586680-5](#) [16-06-0038](#) [164164-5](#) [1-6609930-1](#)  
[172296-1](#) [19-09-2035](#) [200503-1](#) [200788-2](#) [2029090-4](#) [2029095-4](#) [925061-7](#) [293734-4](#) [293737-2](#) [1-765362-4](#) [1871534-1](#) [200833-4](#)  
[2008625-2](#) [2029027-2](#) [2029096-4](#) [R929991000](#) [R929991002](#) [R929993000](#) [319-10-101-00-005000](#) [319-10-102-00-001000](#) [319-10-104-00-001000](#) [319-10-105-00-001000](#) [319-10-108-00-001000](#) [319-10-112-00-006000](#) [39-01-8019](#) [319-10-101-00-001000](#) [319-10-102-00-005000](#)