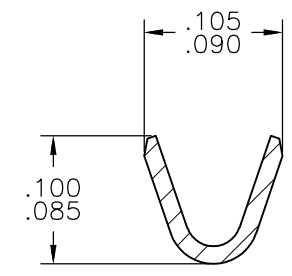
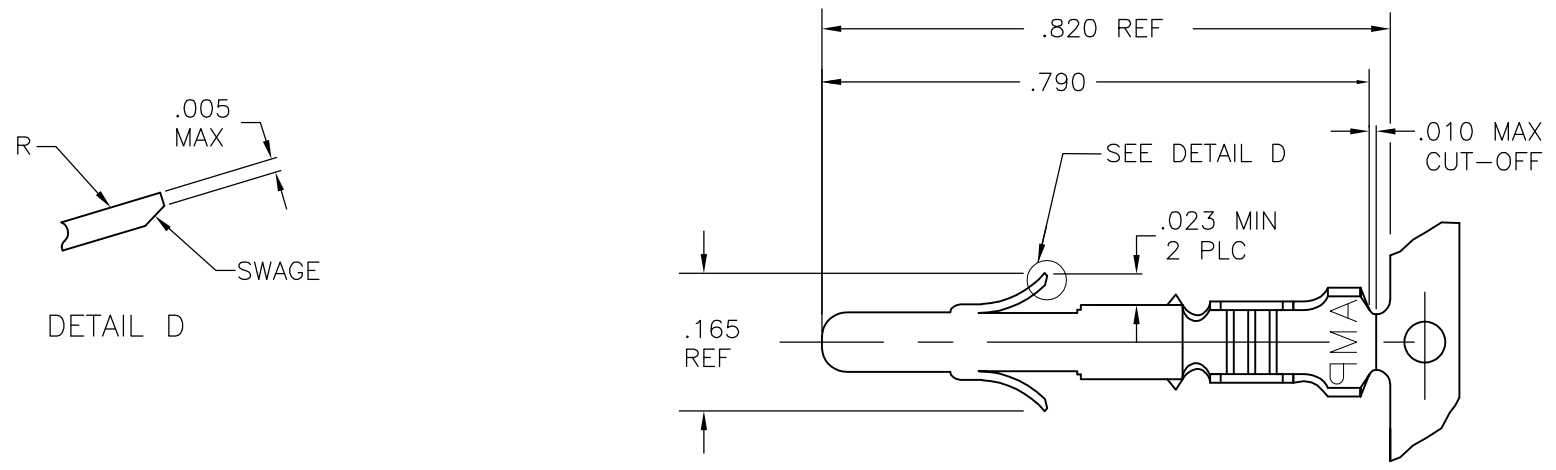
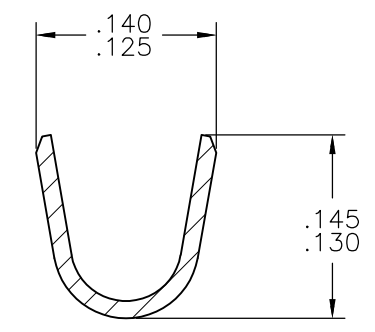
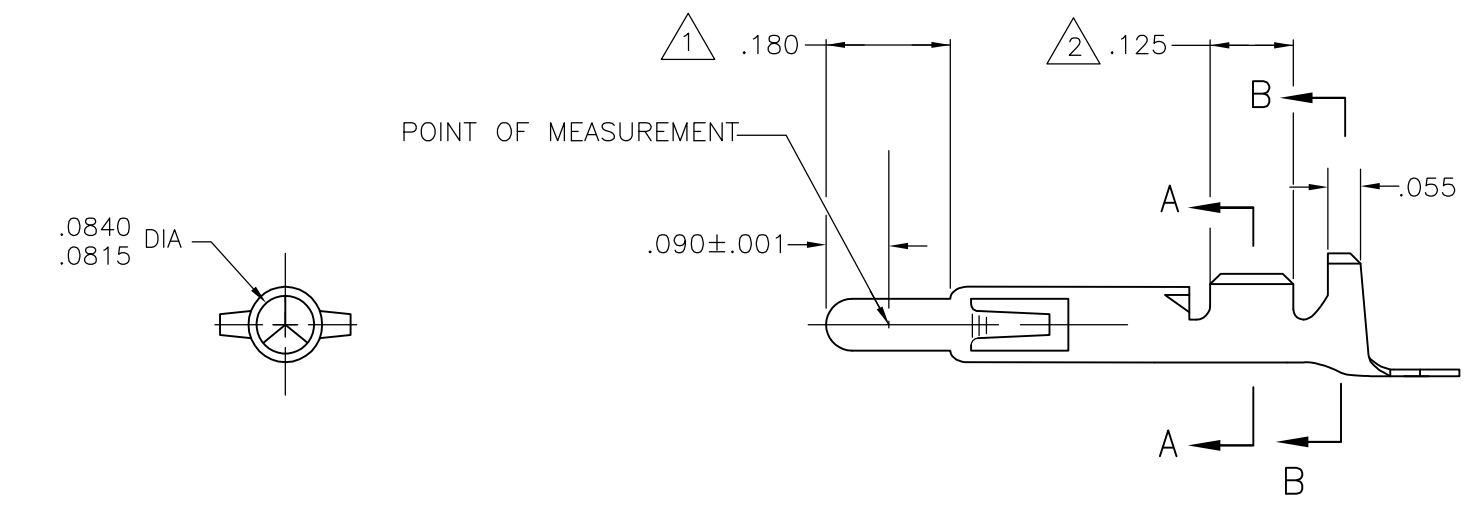


THIS DRAWING IS UNPUBLISHED. RELEASED FOR PUBLICATION  
 © COPYRIGHT - By - ALL RIGHTS RESERVED.

| LOC |     | DIST                      |  | REVISIONS |     |      |  |
|-----|-----|---------------------------|--|-----------|-----|------|--|
| P   | LTR | DESCRIPTION               |  | DATE      | DWN | APVD |  |
|     | Z   | REVISED PER ECR-12-013323 |  | 10AUG2012 | KH  | TM   |  |
|     | Z1  | REVISED PER ECR-14-008840 |  | 08JUL2014 | AV  | KD   |  |



SECTION A-A



SECTION B-B

- 1 PLATED WITH .000030 GOLD, OVER .000050 NICKEL UNDERPLATE.
- 2 PLATED INTERNALLY WITH .000030 GOLD.
- 3 WIRE RANGE: 24-18 AWG AND INSULATION RANGE: .040-.100 DIA.

| LOOSE PIECE (REF) | FINISH   | MATERIAL      | PART NUMBER |
|-------------------|----------|---------------|-------------|
| 350690-7          | GOLD 1   | .012 BRASS    | 350561-7    |
| 350690-3          | PRE-TIN  | .012 PH. BRZ. | 350561-3    |
| 350690-2          | GOLD 1 2 | .012 BRASS    | 350561-2    |
| 350690-1          | PRE-TIN  |               | 350561-1    |

|  |  |                     |                               |  |
|--|--|---------------------|-------------------------------|--|
| THIS DRAWING IS A CONTROLLED DOCUMENT. |  | DWN M.FEHER 05JUN81 | <b>STE</b> TE Connectivity    |  |
| DIMENSIONS: INCHES                     |  | CHK DSH 09JUN81     |                               |  |
| TOLERANCES UNLESS OTHERWISE SPECIFIED: |  | APVD RPL 10JUN81    | NAME                          |  |
| 0 PLC ± -                              |  | PRODUCT SPEC        | PIN, UNIVERSAL MATE-N-LOK     |  |
| 1 PLC ± -                              |  | 108-1031            | SIZE CAGE CODE DRAWING NO     |  |
| 2 PLC ± -                              |  | APPLICATION SPEC    | A2 00779 C=350561             |  |
| 3 PLC ± .010                           |  | 114-1010            | RESTRICTED TO                 |  |
| 4 PLC ± -                              |  | WEIGHT -            | -                             |  |
| ANGLES ± 1°                            |  | CUSTOMER DRAWING    | SCALE 4:1 SHEET 1 of 1 REV Z1 |  |

## X-ON Electronics

Largest Supplier of Electrical and Electronic Components

*Click to view similar products for [Pin & Socket Connectors](#) category:*

*Click to view products by [TE Connectivity](#) manufacturer:*

Other Similar products are found below :

[6450822-1](#) [770392-1](#) [794042-1](#) [796885-1](#) [8-794535-1](#) [PLR3455ACS-222](#) [R929991004](#) [R929993003](#) [1403611-1](#) [1-480349-5](#) [152302-5](#)  
[153211-2](#) [1586092-1](#) [1586129-1](#) [1586681-4](#) [1586700-1](#) [1586368-1](#) [1586380-1](#) [1586616-1](#) [1586680-5](#) [16-06-0038](#) [164164-5](#) [1-6609930-1](#)  
[172296-1](#) [19-09-2035](#) [200503-1](#) [200788-2](#) [2029090-4](#) [2029095-4](#) [925061-7](#) [293734-4](#) [293737-2](#) [1-765362-4](#) [1871534-1](#) [200833-4](#)  
[2008625-2](#) [2029027-2](#) [2029096-4](#) [R929991000](#) [R929991002](#) [R929993000](#) [319-10-101-00-005000](#) [319-10-102-00-001000](#) [319-10-104-00-001000](#) [319-10-105-00-001000](#) [319-10-108-00-001000](#) [319-10-112-00-006000](#) [39-01-8019](#) [319-10-101-00-001000](#) [319-10-102-00-005000](#)