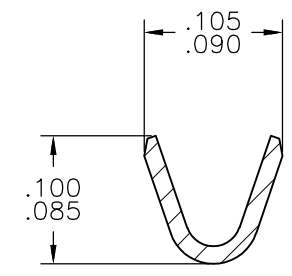
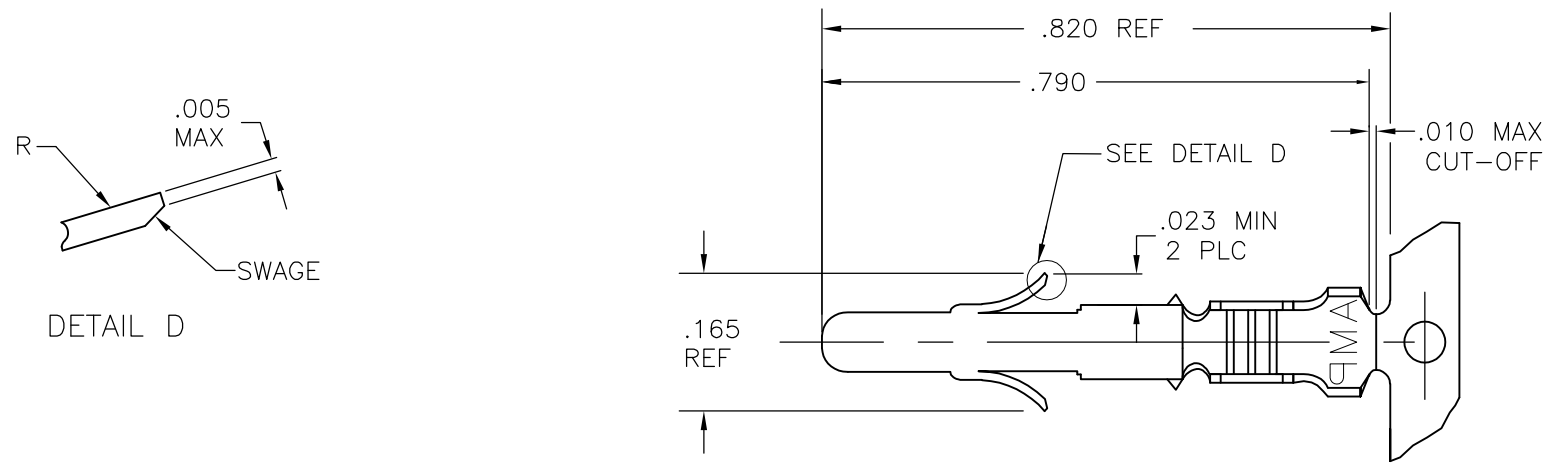
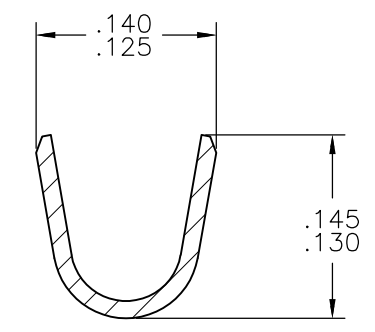
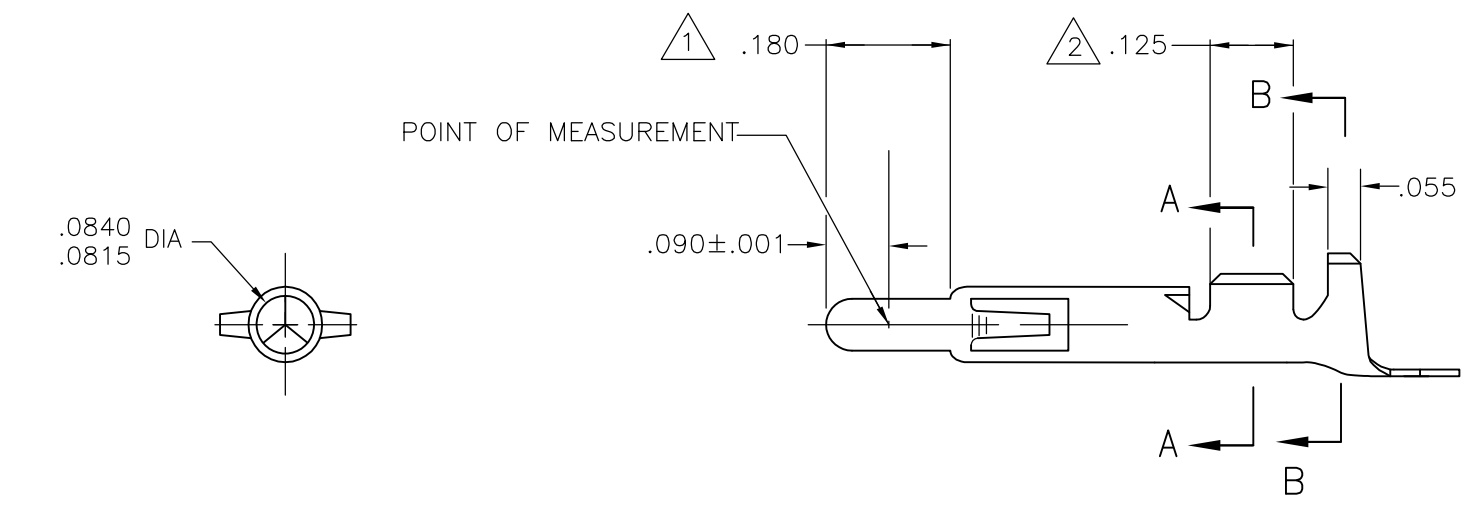


THIS DRAWING IS UNPUBLISHED. RELEASED FOR PUBLICATION
 © COPYRIGHT - By - ALL RIGHTS RESERVED.

| LOC | | DIST | | REVISIONS | | | |
|-----|-----|-------------|--|---------------------------|-----------|------|----|
| P | LTR | DESCRIPTION | | DATE | DWN | APVD | |
| CM | 00 | Z | | REVISED PER ECR-12-013323 | 10AUG2012 | KH | TM |
| | | Z1 | | REVISED PER ECR-14-008840 | 08JUL2014 | AV | KD |



SECTION A-A



SECTION B-B

- 1 PLATED WITH .000030 GOLD, OVER .000050 NICKEL UNDERPLATE.
- 2 PLATED INTERNALLY WITH .000030 GOLD.
- 3 WIRE RANGE: 24-18 AWG AND INSULATION RANGE: .040-.100 DIA.

| LOOSE PIECE (REF) | FINISH | MATERIAL | PART NUMBER |
|-------------------|----------|---------------|-------------|
| 350690-7 | GOLD 1 | .012 BRASS | 350561-7 |
| 350690-3 | PRE-TIN | .012 PH. BRZ. | 350561-3 |
| 350690-2 | GOLD 1 2 | .012 BRASS | 350561-2 |
| 350690-1 | PRE-TIN | | 350561-1 |

| | | | | |
|--|--|---------------------|-------------------------------|--|
| THIS DRAWING IS A CONTROLLED DOCUMENT. | | DWN M.FEHER 05JUN81 | STE TE Connectivity | |
| DIMENSIONS: INCHES | | CHK DSH 09JUN81 | | |
| TOLERANCES UNLESS OTHERWISE SPECIFIED: | | APVD RPL 10JUN81 | NAME | |
| 0 PLC ± - | | PRODUCT SPEC | PIN, UNIVERSAL MATE-N-LOK | |
| 1 PLC ± - | | 108-1031 | SIZE CAGE CODE DRAWING NO | |
| 2 PLC ± - | | APPLICATION SPEC | A2 00779 C=350561 | |
| 3 PLC ± .010 | | 114-1010 | RESTRICTED TO | |
| 4 PLC ± - | | WEIGHT - | - | |
| ANGLES ± 1° | | CUSTOMER DRAWING | SCALE 4:1 SHEET 1 OF 1 REV Z1 | |

X-ON Electronics

Largest Supplier of Electrical and Electronic Components

Click to view similar products for [Pin & Socket Connectors](#) category:

Click to view products by [TE Connectivity](#) manufacturer:

Other Similar products are found below :

[6450822-1](#) [770392-1](#) [794042-1](#) [796885-1](#) [8-794535-1](#) [PLR3455ACS-222](#) [R929991004](#) [R929993003](#) [1403611-1](#) [1-480349-5](#) [152302-5](#)
[153211-2](#) [1586092-1](#) [1586129-1](#) [1586681-4](#) [1586700-1](#) [1586368-1](#) [1586380-1](#) [1586616-1](#) [1586680-5](#) [16-06-0038](#) [164164-5](#) [1-6609930-1](#)
[172296-1](#) [19-09-2035](#) [200503-1](#) [200788-2](#) [2029090-4](#) [2029095-4](#) [925061-7](#) [293734-4](#) [293737-2](#) [1-765362-4](#) [1871534-1](#) [200833-4](#)
[2008625-2](#) [2029027-2](#) [2029096-4](#) [R929991000](#) [R929991002](#) [R929993000](#) [319-10-101-00-005000](#) [319-10-102-00-001000](#) [319-10-104-00-001000](#) [319-10-105-00-001000](#) [319-10-108-00-001000](#) [319-10-112-00-006000](#) [39-01-8019](#) [319-10-101-00-001000](#) [319-10-102-00-005000](#)