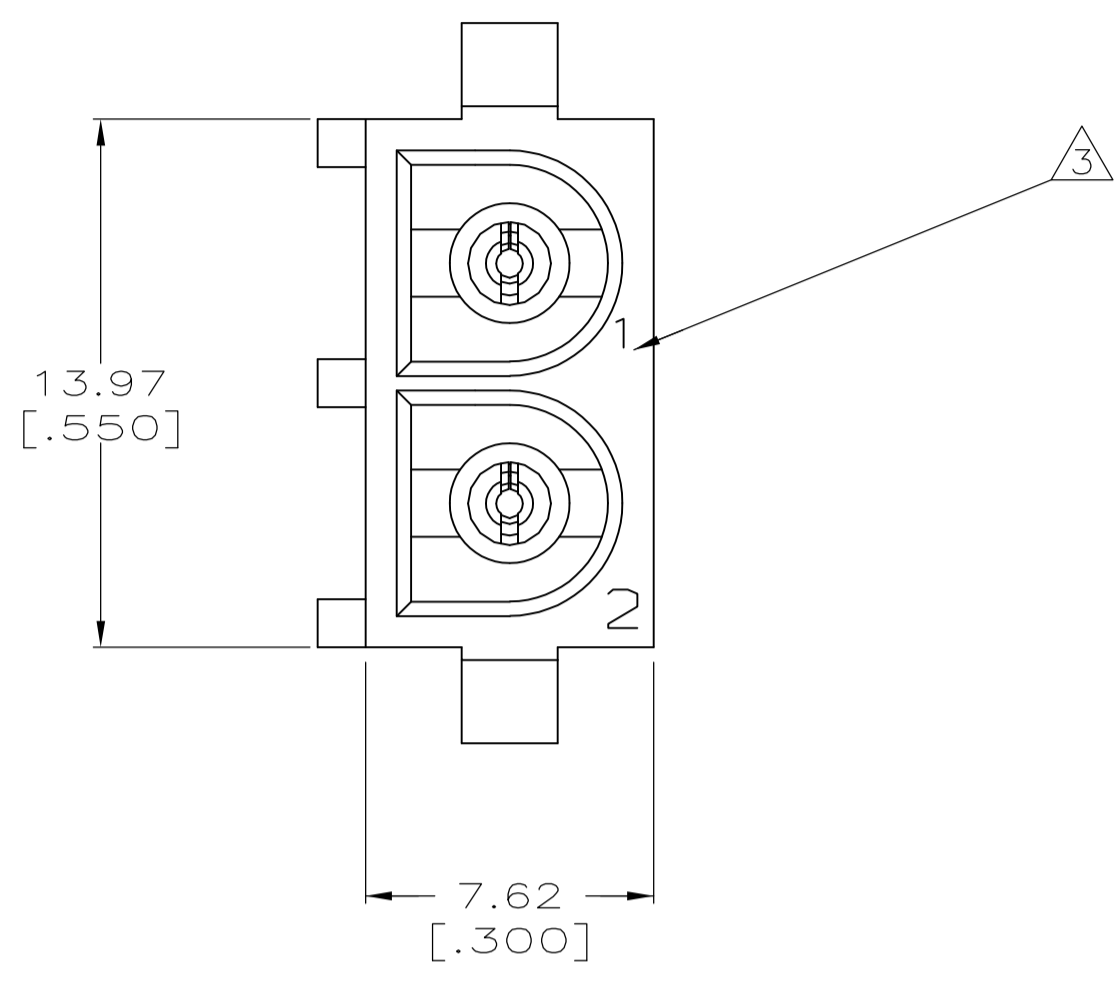
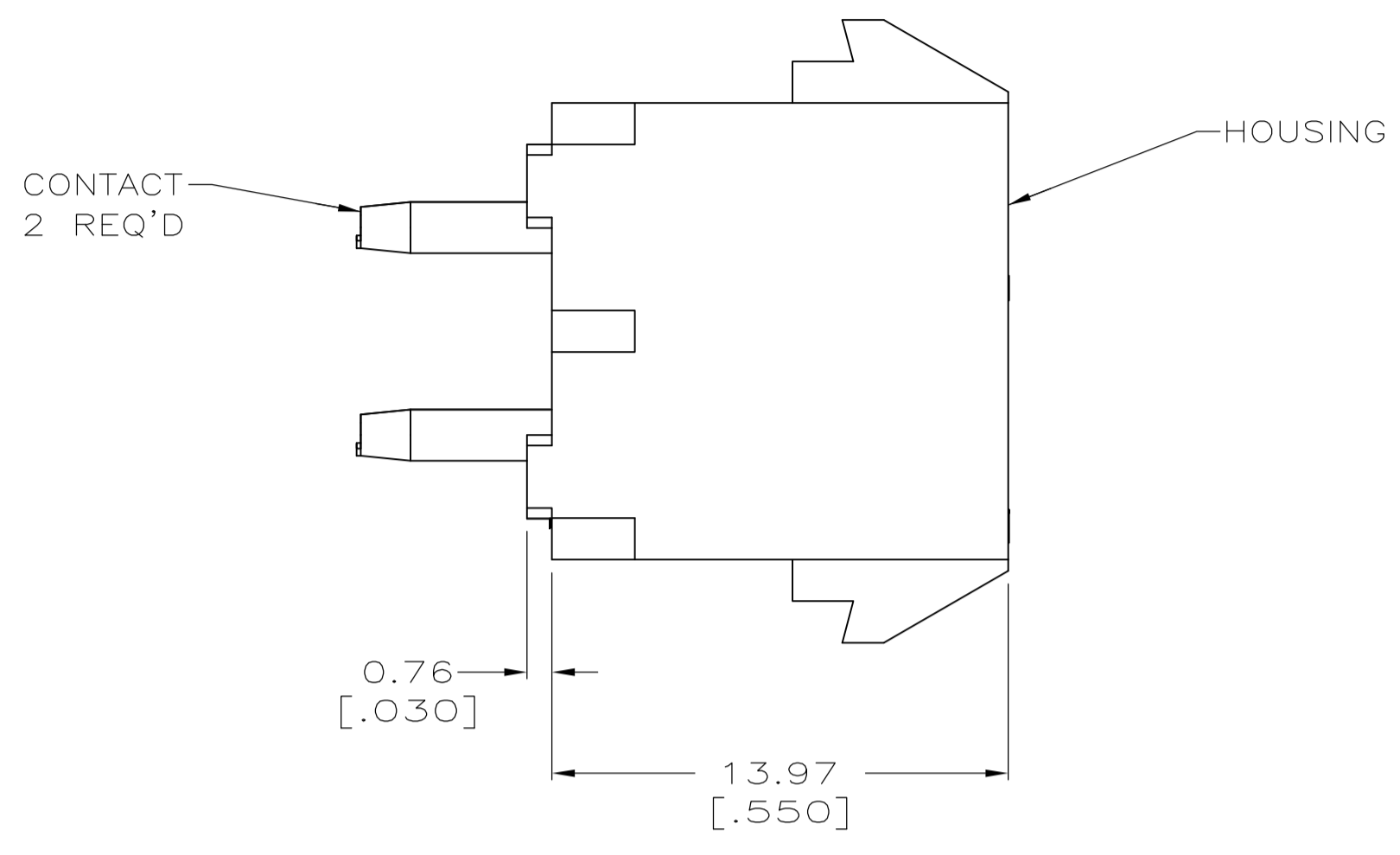
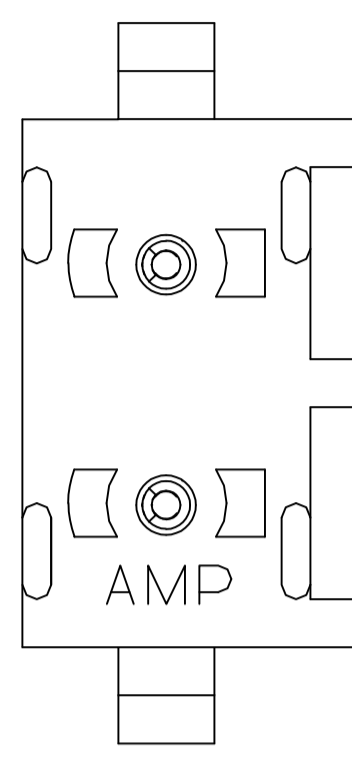
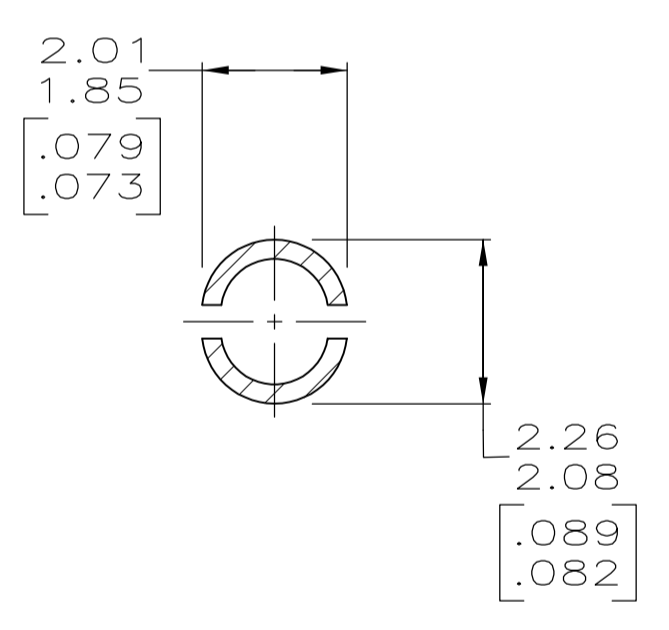
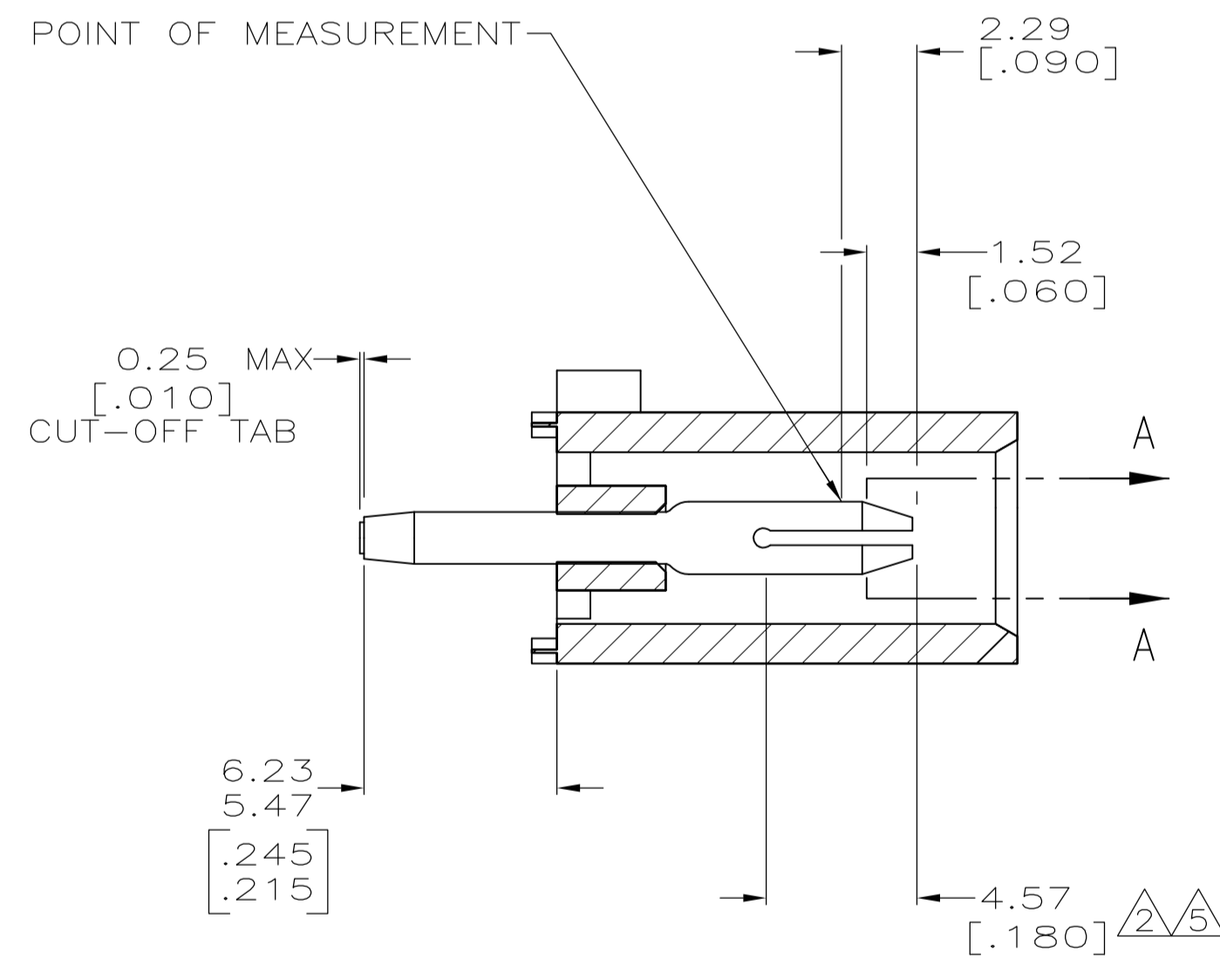


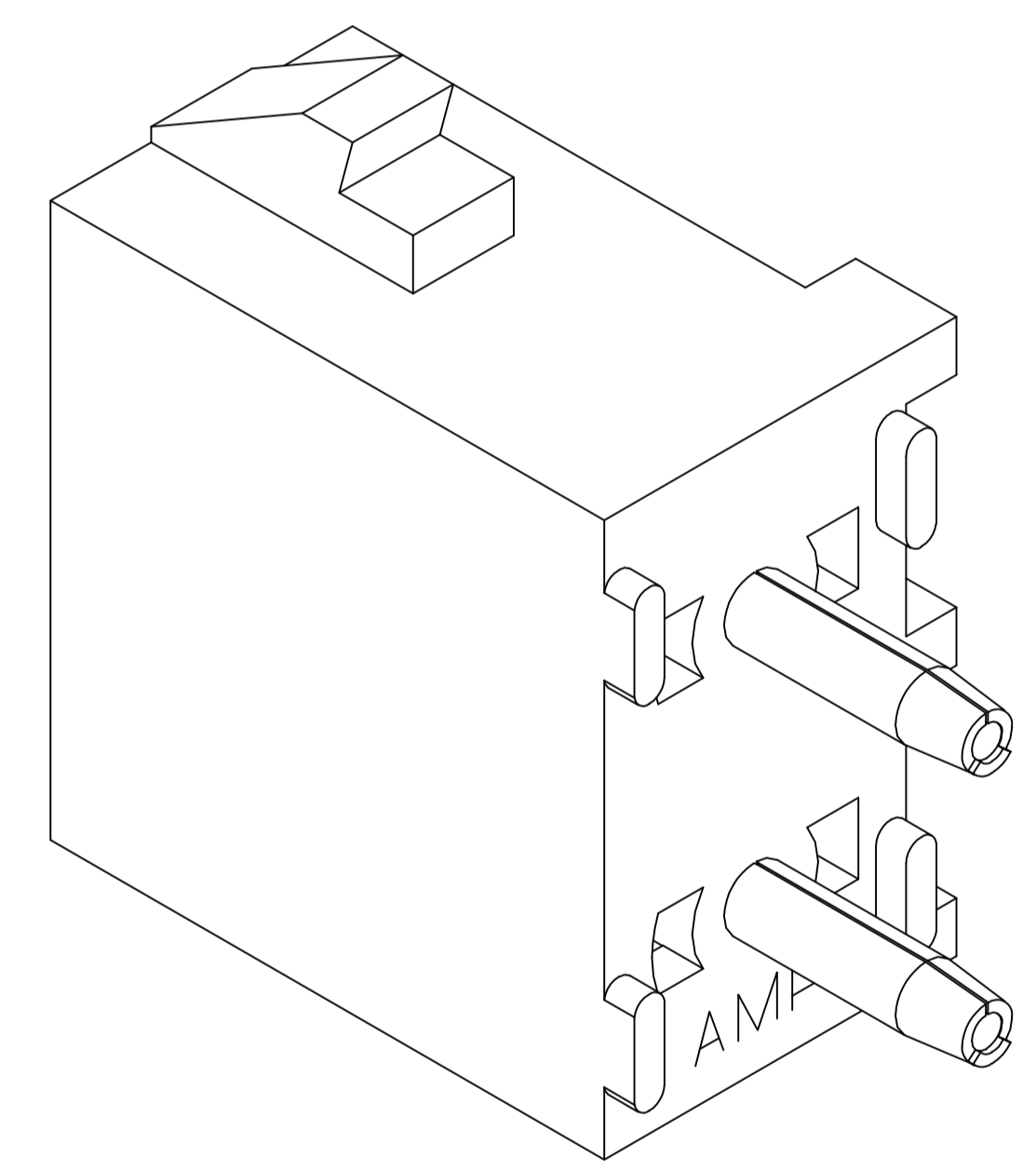
| LOC |    | DIST                      |         | REVISIONS |     |      |  |
|-----|----|---------------------------|---------|-----------|-----|------|--|
| CM  | 00 | REV                       | DATE    | BY        | CHK | APPV |  |
| T2  |    | REVISED PER ECR-12-011660 | 24JAN13 | KH        |     | TM   |  |



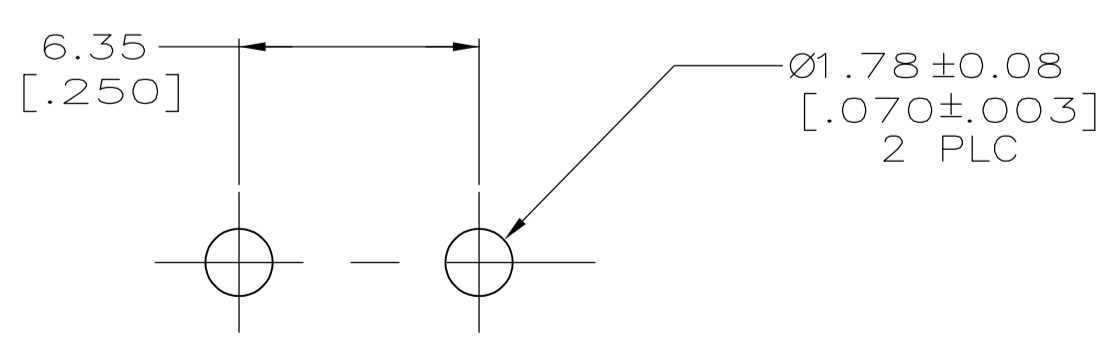
- 1 PARTS COMPLY TO AMP SOLDERABILITY SPECIFICATION 109-11-3.
- 2 CONTACT IS PLATED OVERALL WITH 0.00127 [.000050] NICKEL, THEN 0.00076 [.000030] GOLD OVER CONTACT LENGTH INDICATED AND MATTE TIN LEAD ON SOLDER TAIL END.
- 3 CIRCUIT IDENTIFICATION CHARACTERS ARE ADJACENT TO THE INDICATED CAVITIES, BUT LOCATION AND ORIENTATION MAY DIFFER FROM PRINT.
- 4 DIMENSIONS IN BRACKETS ARE IN INCHES.
- 5 CONTACT IS PLATED OVERALL WITH 0.00127 [.000050] NICKEL, THEN 0.00076 [.000030] GOLD OVER CONTACT LENGTH INDICATED AND MATTE TIN ON SOLDER TAIL END.
- 6 SUPERSEDED BY 350582-4



SECTION A-A  
SCALE 10:1



3-DIMENSIONAL MODEL  
NTS



RECOMMENDED MOUNTING HOLE PATTERN  
FOR 3.18 [.125] THICK P.C. BOARD

|                                 |                         |             |
|---------------------------------|-------------------------|-------------|
| PHOSPHOR BRONZE, GOLD           | NYLON, UL94V-2, NATURAL | 350582-4    |
| PHOSPHOR BRONZE, GOLD           | NYLON, UL94V-2, NATURAL | 350582-2    |
| PHOSPHOR BRONZE, PRE-TIN        | NYLON, UL94V-2, NATURAL | 350582-1    |
| PIN CONTACT MATERIAL AND FINISH | HOUSING MATERIAL        | PART NUMBER |

| DIMENSIONS: |           | TOLERANCES UNLESS OTHERWISE SPECIFIED: |           | APPROVED |         | NAME    |                  |
|-------------|-----------|--|-----------|----------|---------|---------|------------------|
| mm          | [INCHES]  | 0 PLC                                  | ±         | 8-20-98  | 8-20-98 | 8-20-98 |                  |
| 1 PLC       | ±         | ±                                      |           |          |         |         |                  |
| 2 PLC       | ±         | ± 0.13                                 | [.005]    |          |         |         |                  |
| 3 PLC       | ±         | ±                                      |           |          |         |         |                  |
| 4 PLC       | ±         | ±                                      |           |          |         |         |                  |
| ANGLES      | ±         | ±                                      | 0° 30'    |          |         |         |                  |
| MATERIAL    | SEE TABLE | FINISH                                 | SEE TABLE | WEIGHT   | —       | SIZE    | CAGE CODE        |
|             |           |  |           |          |         | A1      | 00779            |
|             |           |  |           |          |         |         | DRAWING NO       |
|             |           |  |           |          |         |         | 350582           |
|             |           |  |           |          |         |         | RESTRICTED TO    |
|             |           |  |           |          |         |         | —                |
|             |           |  |           |          |         |         | CUSTOMER DRAWING |
|             |           |  |           |          |         |         | SCALE 5:1        |
|             |           |  |           |          |         |         | SHEET 1 OF 1     |
|             |           |  |           |          |         |         | REV T2           |

## X-ON Electronics

Largest Supplier of Electrical and Electronic Components

*Click to view similar products for [Pin & Socket Connectors](#) category:*

*Click to view products by [TE Connectivity](#) manufacturer:*

Other Similar products are found below :

[6450822-1](#) [770392-1](#) [794042-1](#) [796885-1](#) [8-794535-1](#) [PLR3455ACS-222](#) [R929991004](#) [R929993003](#) [1403611-1](#) [1-480349-5](#) [152302-5](#)  
[153211-2](#) [1586092-1](#) [1586129-1](#) [1586681-4](#) [1586700-1](#) [1586368-1](#) [1586380-1](#) [1586616-1](#) [1586680-5](#) [16-06-0038](#) [164164-5](#) [1-6609930-1](#)  
[172296-1](#) [19-09-2035](#) [200503-1](#) [200788-2](#) [2029090-4](#) [2029095-4](#) [925061-7](#) [293734-4](#) [293737-2](#) [1-765362-4](#) [1871534-1](#) [200833-4](#)  
[2008625-2](#) [2029027-2](#) [2029096-4](#) [R929991000](#) [R929991002](#) [R929993000](#) [319-10-101-00-005000](#) [319-10-102-00-001000](#) [319-10-104-00-001000](#) [319-10-105-00-001000](#) [319-10-108-00-001000](#) [319-10-112-00-006000](#) [39-01-8019](#) [319-10-101-00-001000](#) [319-10-102-00-005000](#)