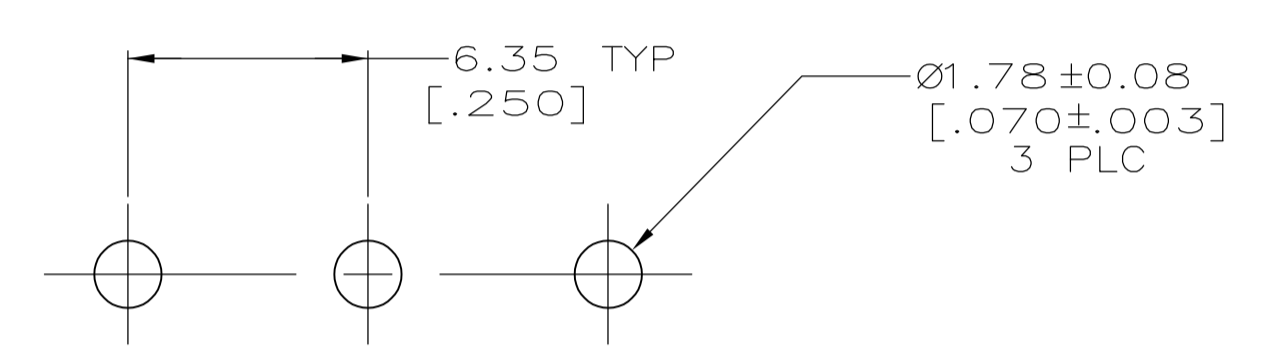
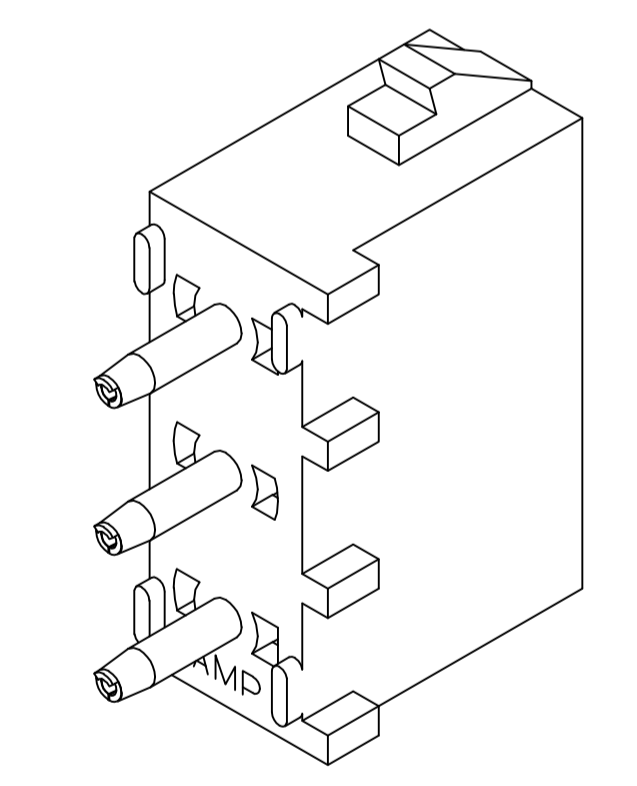
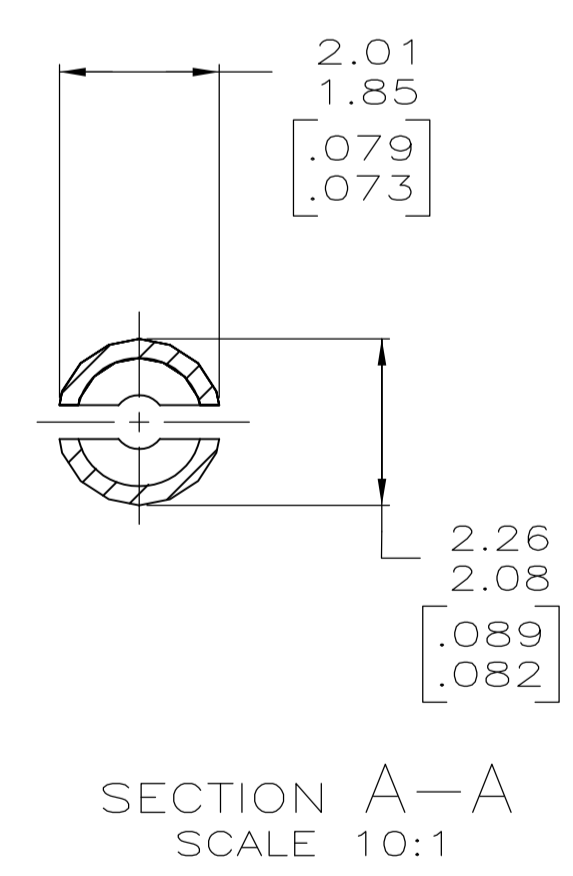
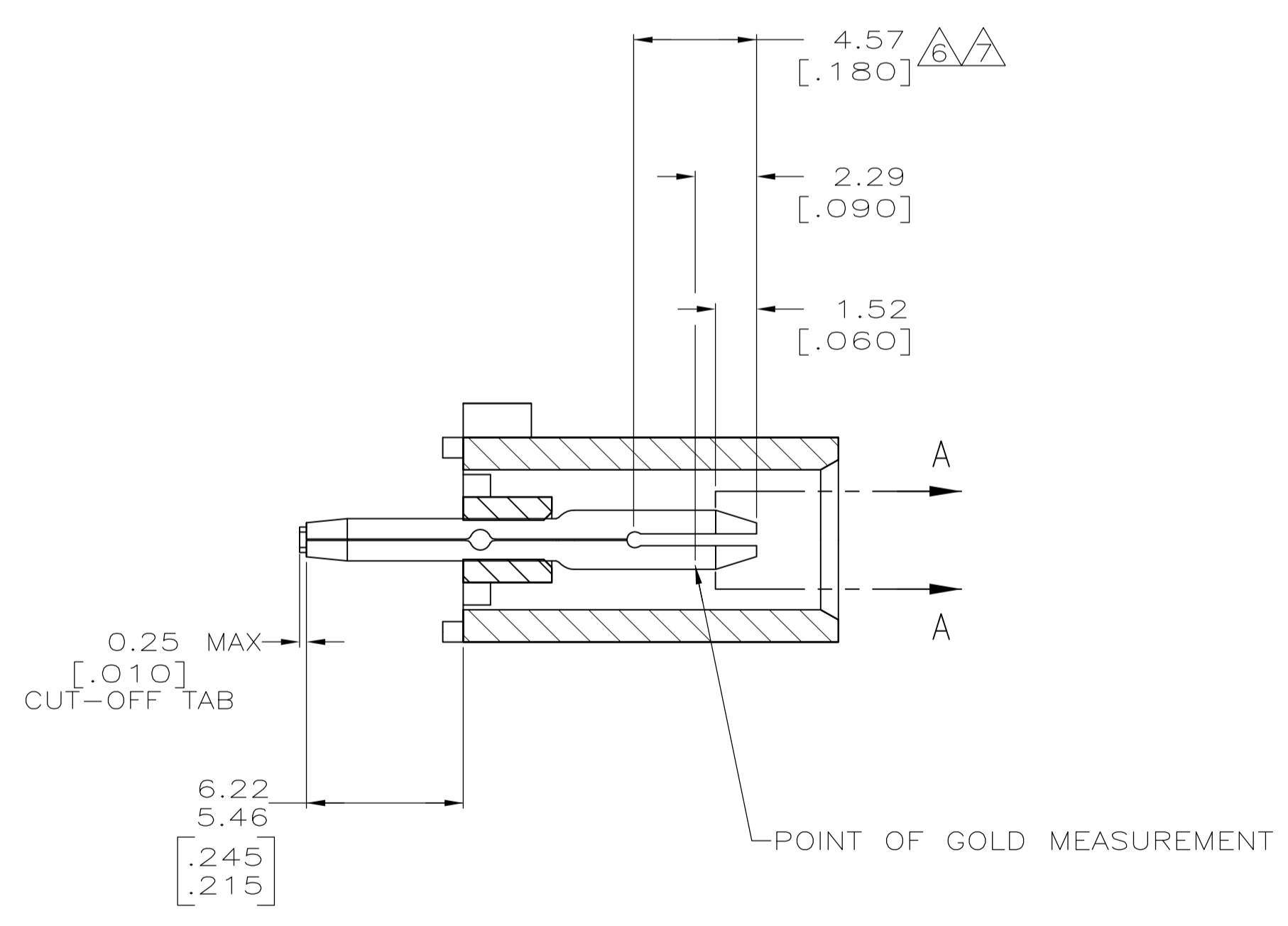


- 1 PARTS COMPLY WITH AMP SOLDERABILITY SPECIFICATION 109-11-3.
- 4 DIMENSIONS IN BRACKETS ARE IN INCHES.
- 5 CIRCUIT IDENTIFICATION CHARACTERS ARE ADJACENT TO THE INDICATED CAVITIES, BUT LOCATION AND ORIENTATION MAY DIFFER FROM PRINT.
- 6 CONTACT IS PLATED OVERALL WITH .000050[0.00127] NICKEL, THEN .000030[0.00076] GOLD OVER CONTACT LENGTH INDICATED AND MATTE TIN LEAD ON SOLDER TAIL END.
- 7 CONTACT IS PLATED OVERALL WITH .000050[0.00127] NICKEL, THEN .000030[0.00076] GOLD OVER CONTACT LENGTH INDICATED AND MATTE TIN ON SOLDER TAIL END.
- 8 SUPERSEDED BY 350583-4



RECOMMENDED MOUNTING HOLE PATTERN FOR 3.18 [.125] THICK P.C. BOARD



3-DIMENSIONAL MODEL NTS

PHOSPHOR BRONZE, GOLD	NYLON,UL94V-2,NATURAL	350583-4
PHOSPHOR BRONZE, GOLD	NYLON,UL94V-2,NATURAL	350583-2
PHOSPHOR BRONZE, PRE-TIN	NYLON,UL94V-2,NATURAL	350583-1
PIN CONTACT MATERIAL AND FINISH	HOUSING MATERIAL	PART NUMBER

THIS DRAWING IS A CONTROLLED DOCUMENT.		DIN R VESTAL 2-19-97	TE Connectivity	
DIMENSIONS: mm [INCHES]		CHK R SWING 2-19-97	NAME	
TOLERANCES UNLESS OTHERWISE SPECIFIED:		APVD	PRODUCT SPEC	
0 PLC ± -	1 PLC ± -	APPLICATION SPEC		
2 PLC ± 0.13 [.005]	3 PLC ± -	SIZE CAGE CODE DRAWING NO		
4 PLC ± -	ANGLES ± -	RESTRICTED TO		
MATERIAL SEE TABLE	FINISH SEE TABLE	WEIGHT	A1 00779 C=350583	SCALE 5:1 SHEET 1 OF 1 REV U1
CUSTOMER DRAWING		SCALE 5:1 SHEET 1 OF 1 REV U1		

X-ON Electronics

Largest Supplier of Electrical and Electronic Components

Click to view similar products for [Pin & Socket Connectors](#) category:

Click to view products by [TE Connectivity](#) manufacturer:

Other Similar products are found below :

[6450822-1](#) [770392-1](#) [794042-1](#) [796885-1](#) [8-794535-1](#) [PLR3455ACS-222](#) [R929991004](#) [R929993003](#) [1403611-1](#) [1-480349-5](#) [152302-5](#)
[153211-2](#) [1586092-1](#) [1586129-1](#) [1586681-4](#) [1586700-1](#) [1586368-1](#) [1586380-1](#) [1586616-1](#) [1586680-5](#) [16-06-0038](#) [164164-5](#) [1-6609930-1](#)
[172296-1](#) [19-09-2035](#) [200503-1](#) [200788-2](#) [2029090-4](#) [2029095-4](#) [925061-7](#) [293734-4](#) [293737-2](#) [1-765362-4](#) [1871534-1](#) [200833-4](#)
[2008625-2](#) [2029027-2](#) [2029096-4](#) [R929991000](#) [R929991002](#) [R929993000](#) [319-10-101-00-005000](#) [319-10-102-00-001000](#) [319-10-104-00-001000](#) [319-10-105-00-001000](#) [319-10-108-00-001000](#) [319-10-112-00-006000](#) [39-01-8019](#) [319-10-101-00-001000](#) [319-10-102-00-005000](#)