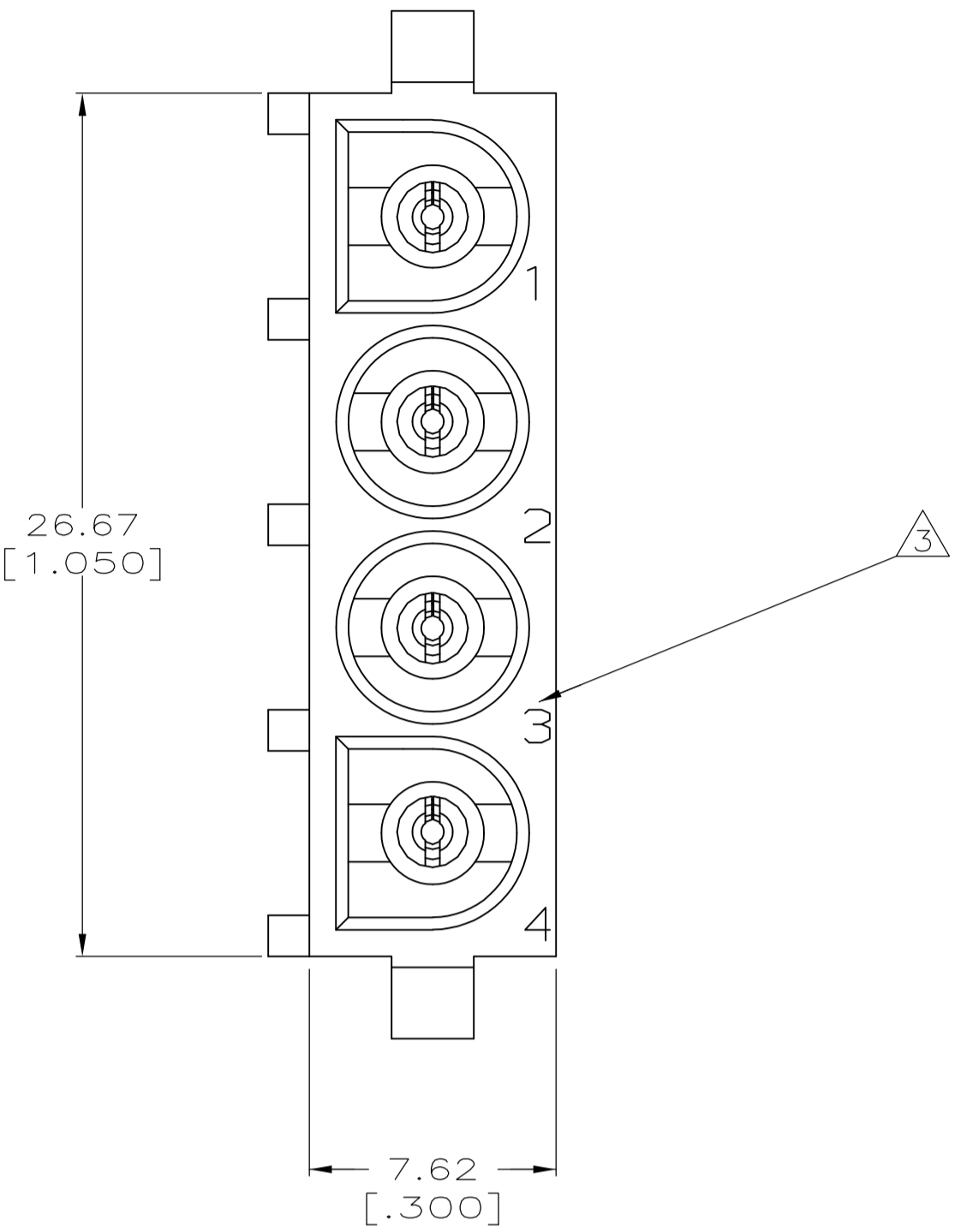
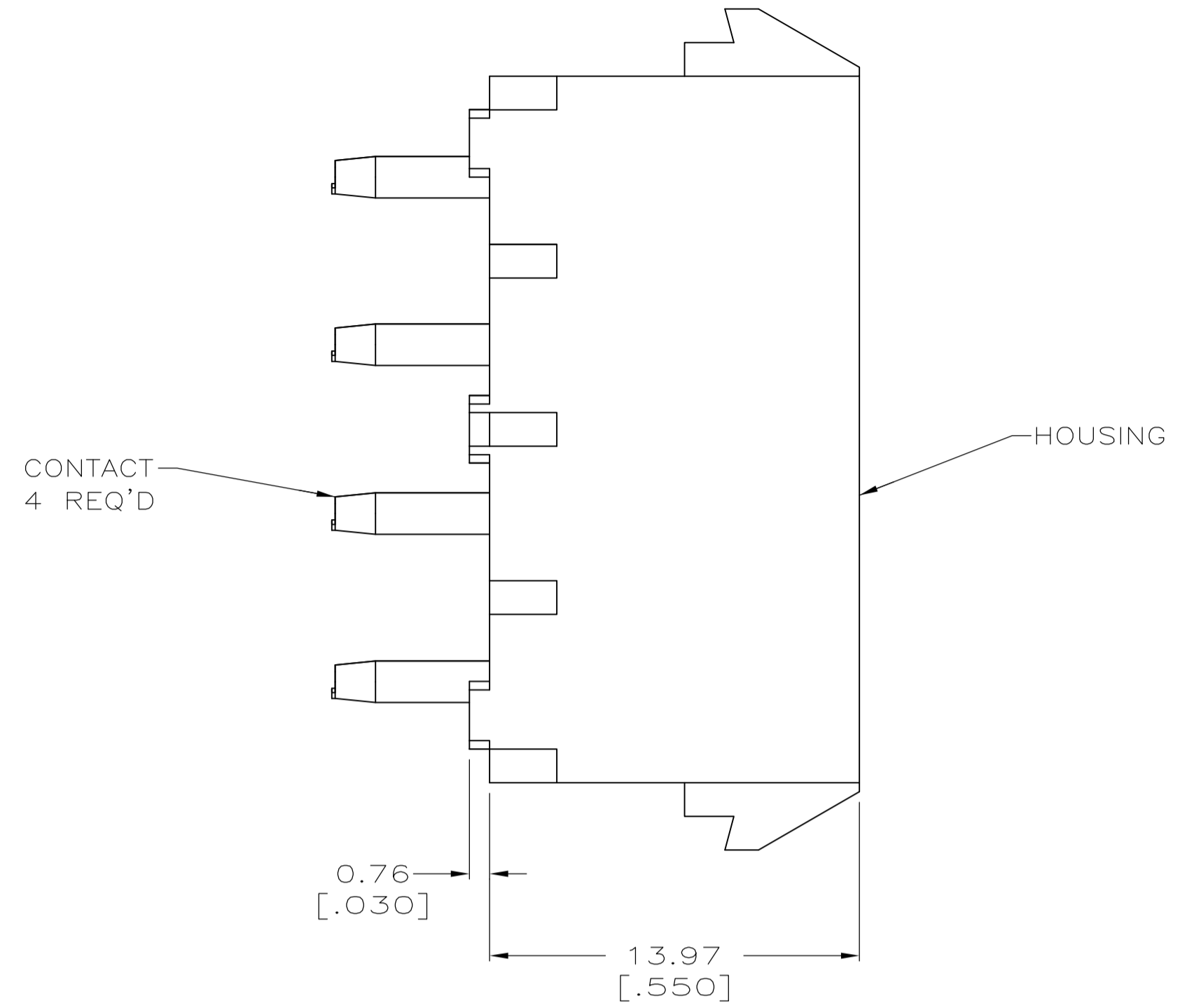
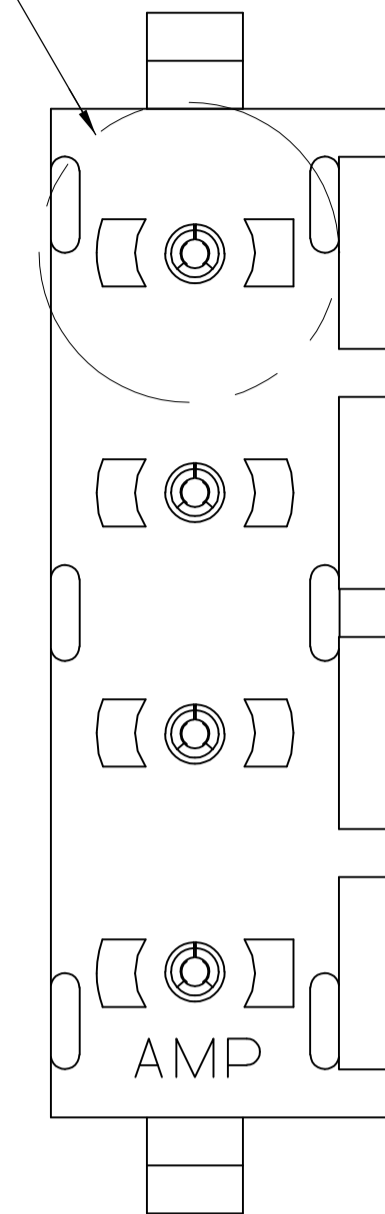
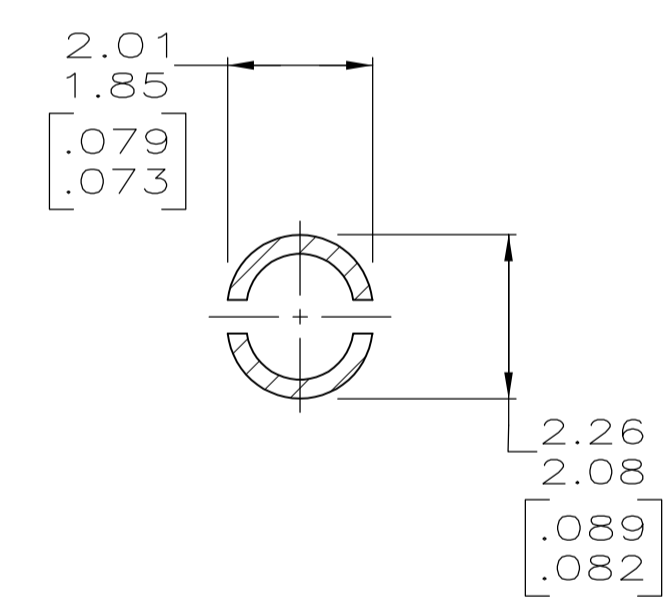
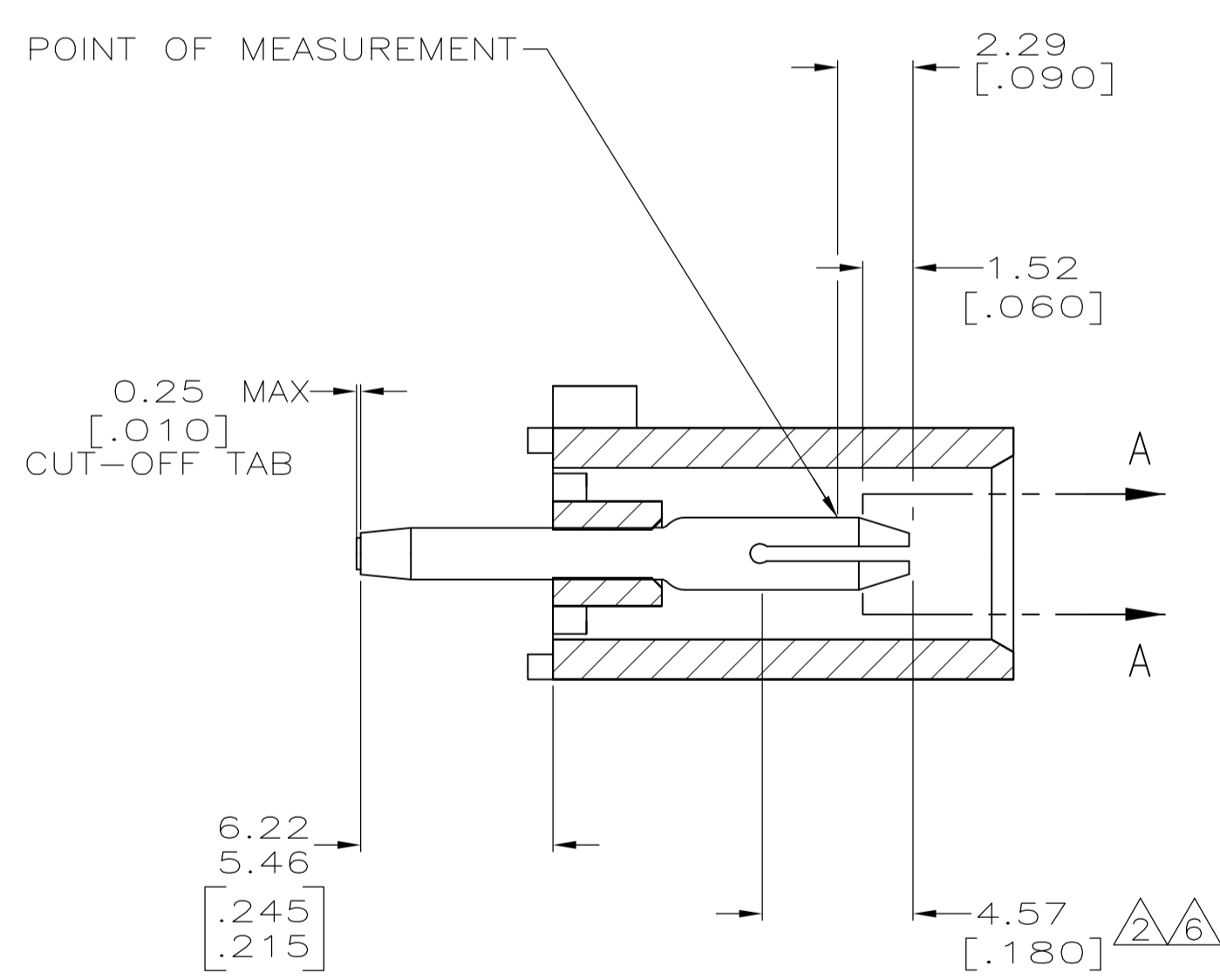


LOC		DIST		REVISIONS			
CM	00	REV	DATE	BY	CHK	APPV	
V1		REVISED PER ECR-12-011660	24JAN13	KH	TM		

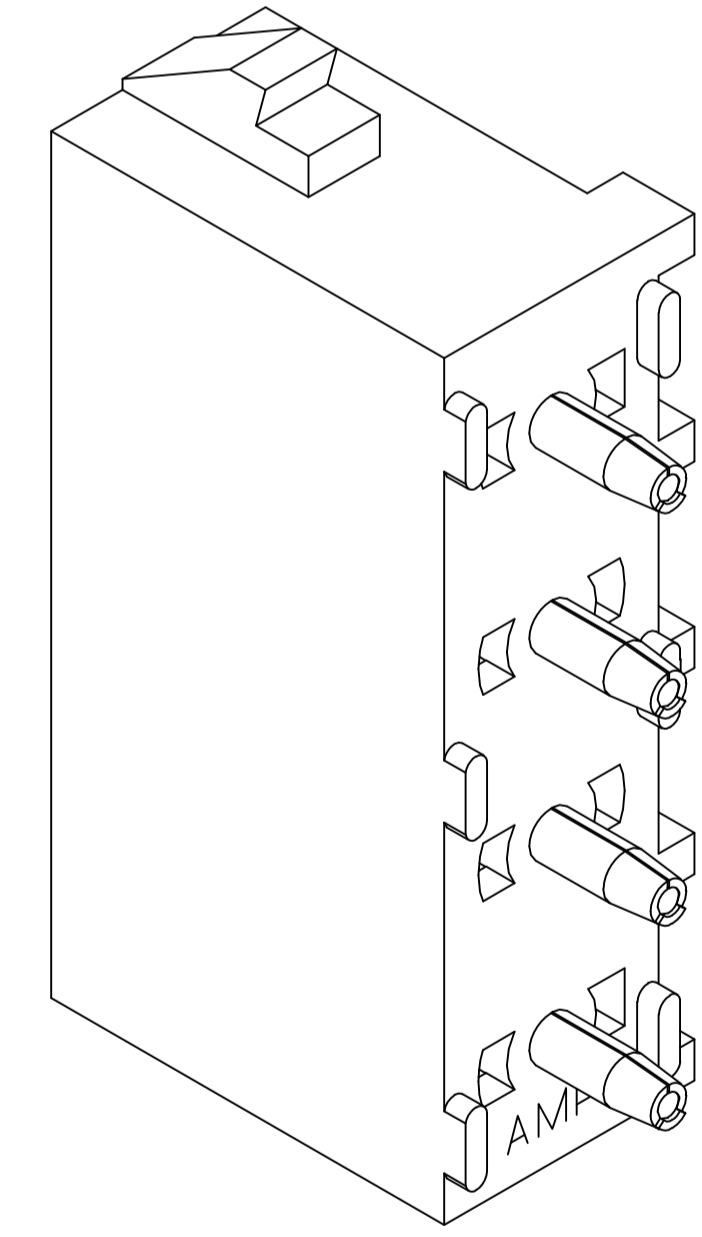
SEE DETAIL A



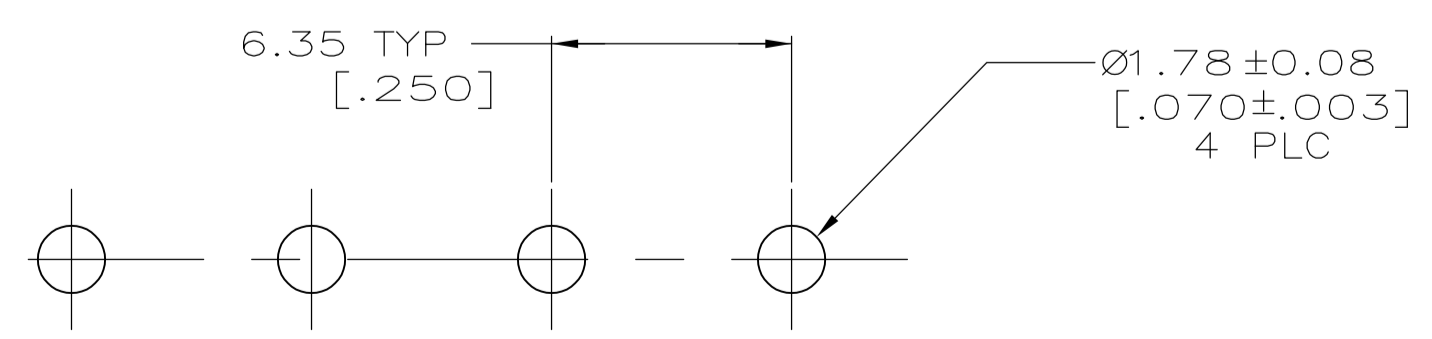
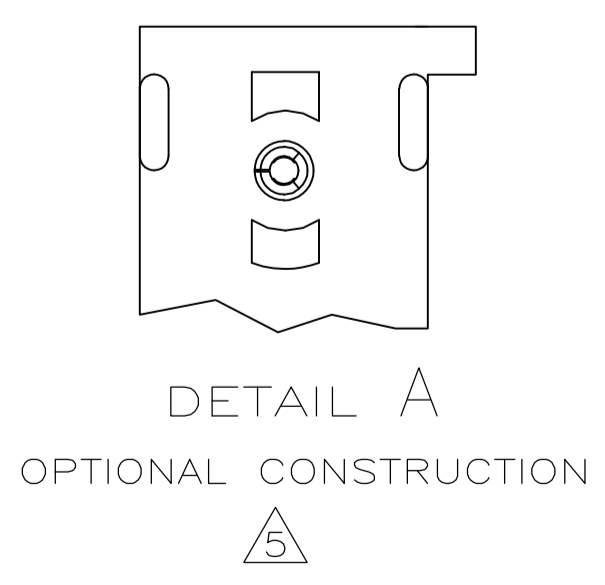
- 1 PARTS COMPLY TO AMP SOLDERABILITY SPECIFICATION 109-11-3.
- 2 CONTACT IS PLATED OVERALL WITH 0.00127 [.000050] NICKEL, THEN 0.00076 [.000030] GOLD OVER CONTACT LENGTH INDICATED AND MATTE TIN LEAD ON SOLDER TAIL END.
- 3 CIRCUIT IDENTIFICATION CHARACTERS ARE ADJACENT TO THE INDICATED CAVITIES, BUT LOCATION AND ORIENTATION MAY DIFFER FROM PRINT.
- 4 DIMENSIONS IN BRACKETS ARE IN INCHES.
- 5 DRAIN HOLES LOCATED AS SHOWN. OPTIONAL CONSTRUCTION - ALL DRAIN HOLES LOCATED 90° AS SHOWN IN DETAIL A.
- 6 CONTACT IS PLATED OVERALL WITH 0.00127 [.000050] NICKEL, THEN 0.00076 [.000030] GOLD OVER CONTACT LENGTH INDICATED AND MATTE TIN ON SOLDER TAIL END.
- 7 SUPERSEDED BY 350584-4



SECTION A-A  
SCALE 10:1



3-DIMENSIONAL MODEL  
NTS



RECOMMENDED MOUNTING HOLE PATTERN  
FOR 3.18 [.125] THICK P.C. BOARD

MATERIAL	FINISH	HOUSING MATERIAL	PART NUMBER
PHOSPHOR BRONZE, GOLD	2	NYLON, UL94-V-2, NATURAL	350584-4
PHOSPHOR BRONZE, GOLD	2	NYLON, UL94-V-2, NATURAL	350584-2
PHOSPHOR BRONZE, PRE-TIN	2	NYLON, UL94-V-2, NATURAL	350584-1

THIS DRAWING IS A CONTROLLED DOCUMENT.		DIN 8-25-98	TE Connectivity	
DIMENSIONS: mm [INCHES]		8-25-98	PIN HEADER ASSEMBLY, 4 CIRCUIT UNIVERSAL MATE-N-LOK™	
TOLERANCES UNLESS OTHERWISE SPECIFIED:		8-25-98	SCALE 5:1 SHEET 1 OF 1 REV V1	
0 PLC ± -	1 PLC ± -	2 PLC ± 0.13 [.005]	3 PLC ± -	4 PLC ± -
ANGLES ± 0°30'		SIZE	CAGE CODE	DRAWING NO
MATERIAL SEE TABLE		FINISH SEE TABLE	WEIGHT	RESTRICTED TO
		APPROVED	DATE	REV
		BY	DATE	REV
		CHK	DATE	REV
		APPV	DATE	REV
		NAME	DATE	REV
		PRODUCT SPEC	DATE	REV
		APPLICATION SPEC	DATE	REV
		SIZE	CAGE CODE	DRAWING NO
		WEIGHT	RESTRICTED TO	
		A1	00779	350584
		CUSTOMER DRAWING	SCALE	SHEET

## X-ON Electronics

Largest Supplier of Electrical and Electronic Components

*Click to view similar products for [Pin & Socket Connectors](#) category:*

*Click to view products by [TE Connectivity](#) manufacturer:*

Other Similar products are found below :

[6450822-1](#) [770392-1](#) [794042-1](#) [796885-1](#) [8-794535-1](#) [881459-2](#) [R929993003](#) [1-350779-3](#) [1403611-1](#) [1-480349-5](#) [1586092-1](#) [1586129-1](#)  
[1586487-1](#) [1586681-4](#) [1586700-1](#) [1586065-1](#) [1586077-1](#) [1586368-1](#) [1586380-1](#) [1586680-5](#) [1586681-2](#) [1604996-1](#) [16-06-0038](#) [164164-5](#) [1-](#)  
[6609930-1](#) [172296-1](#) [1-794714-6](#) [19-09-2035](#) [1969804-1](#) [200503-1](#) [200788-2](#) [201046-7](#) [202648-4](#) [2029076-2](#) [2029090-4](#) [2029095-4](#) [2-](#)  
[66102-6](#) [925061-7](#) [926681-1](#) [293734-4](#) [293737-2](#) [1-765362-4](#) [1-794606-3](#) [1871534-1](#) [1969795-1](#) [1969798-1](#) [1969800-1](#) [200833-4](#)  
[2008625-2](#) [2029027-2](#)