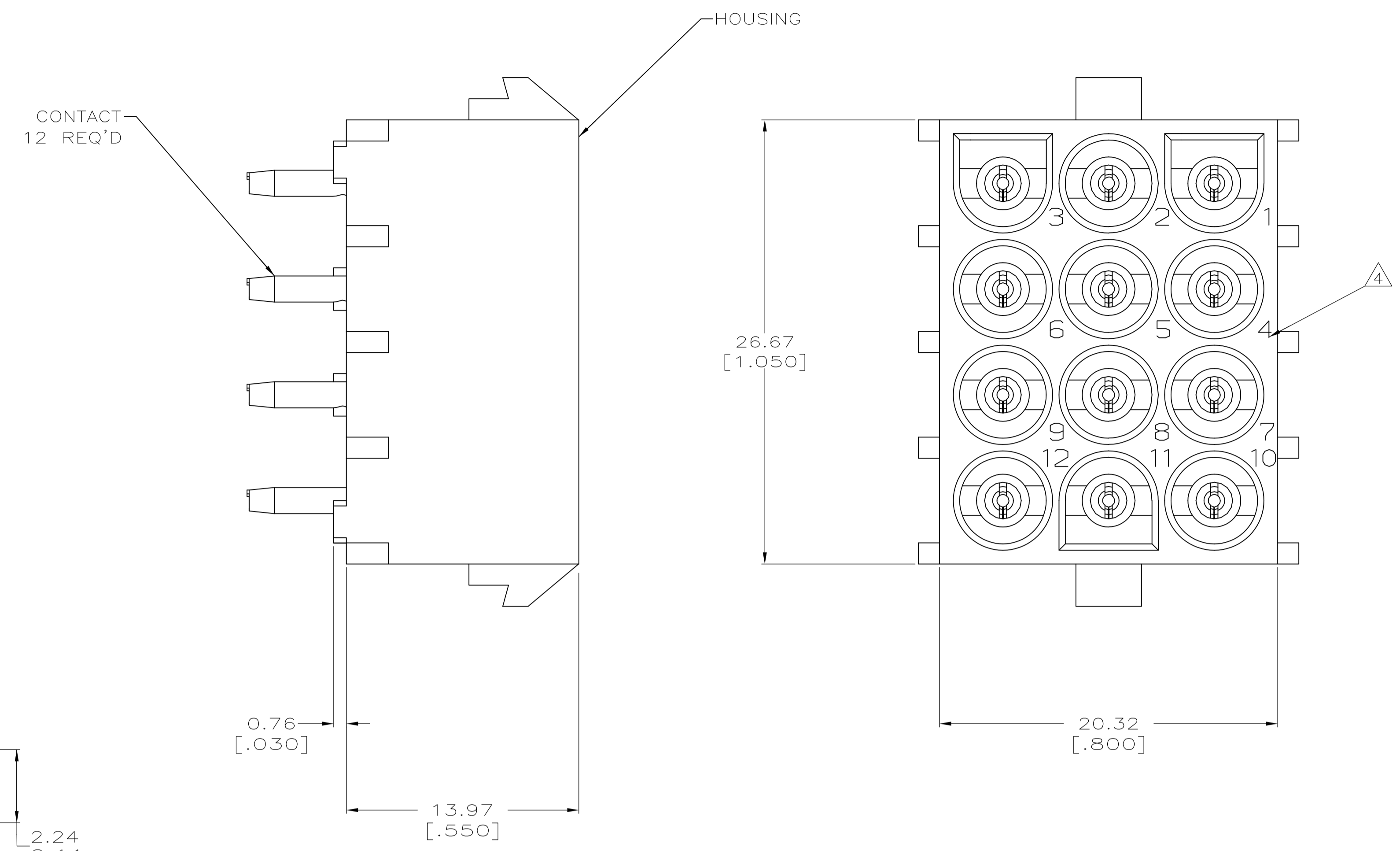
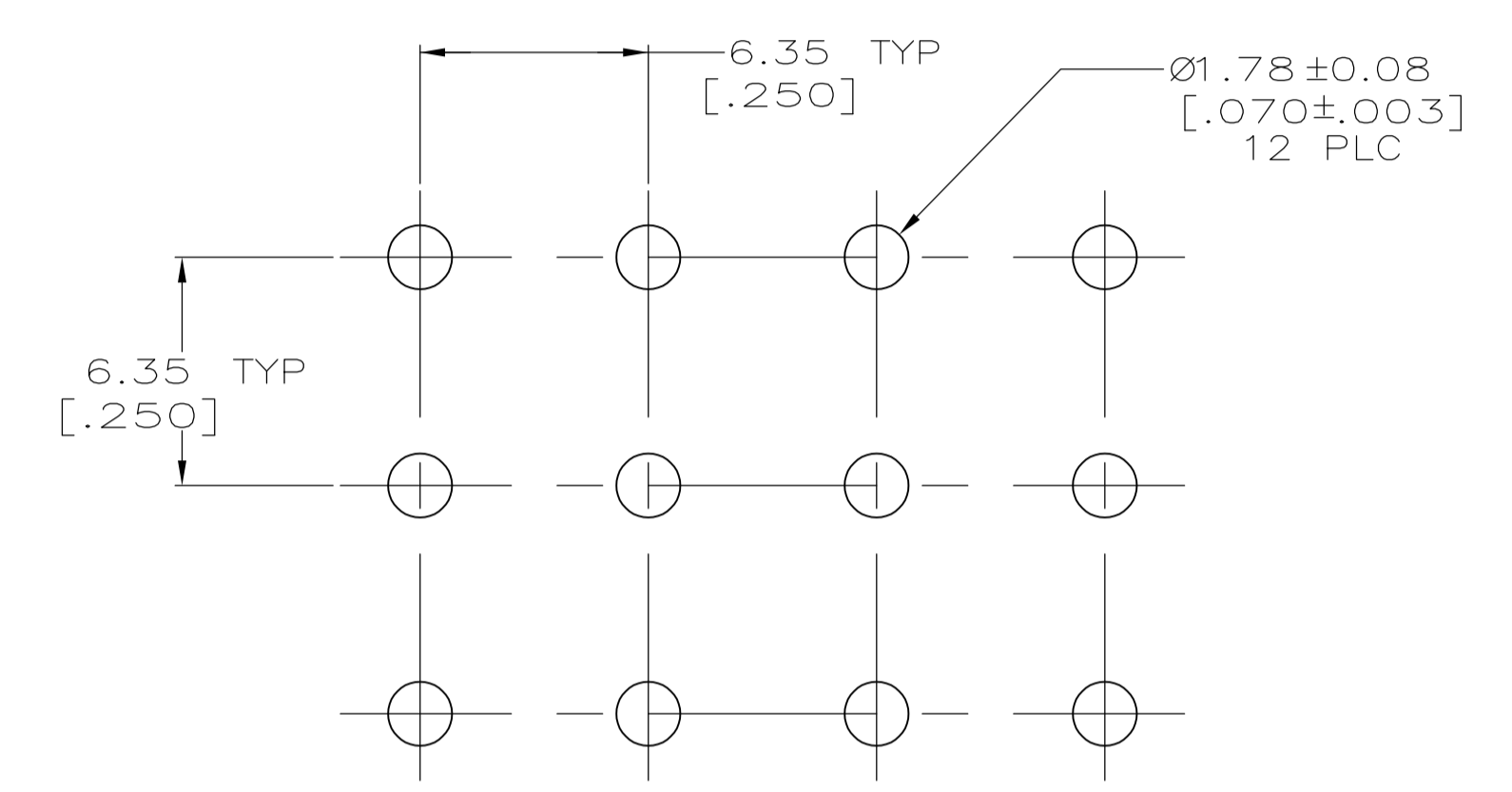


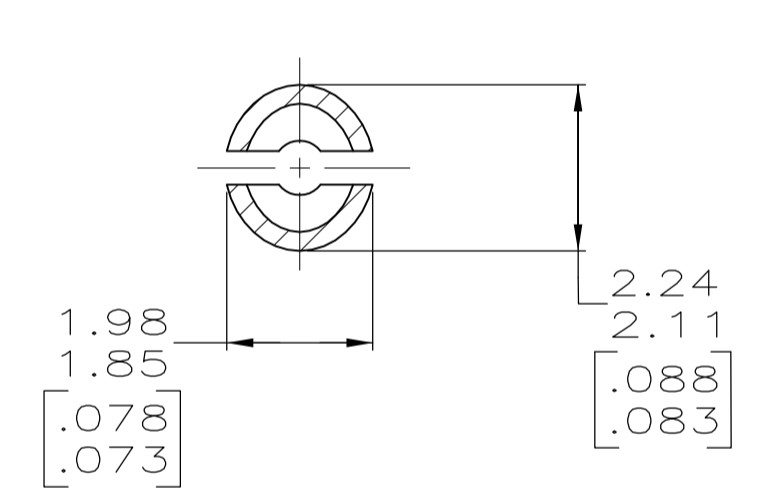
LOC	DIST	REVISIONS				
CM	00	REV	DESCRIPTION	DATE	BY	APPV
		T1	REVISED PER 0G1B-1094-04	24JAN05	KW	SR
		T1	REV PER ECO-09-021826	08SEP09	KK	AEG
		T2	REVISED PER ECR-14-012915	08SEP14	AV	KD



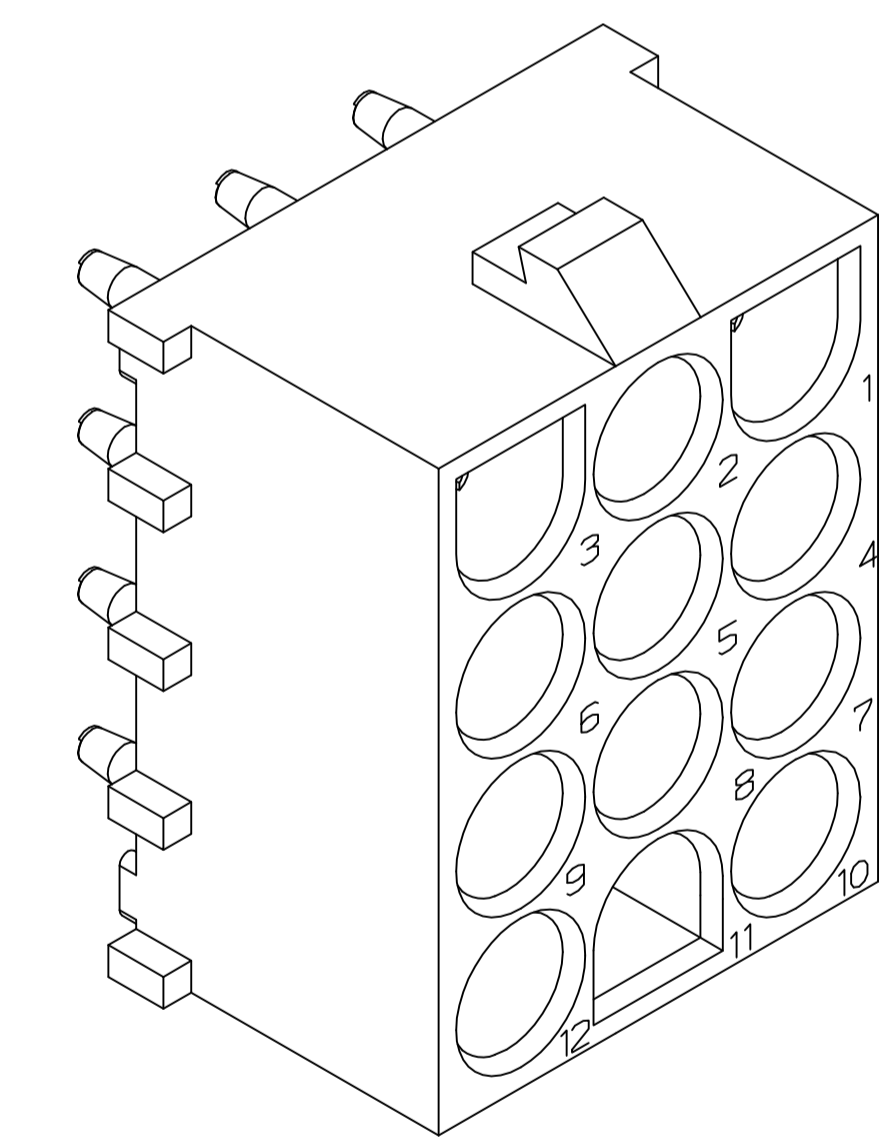
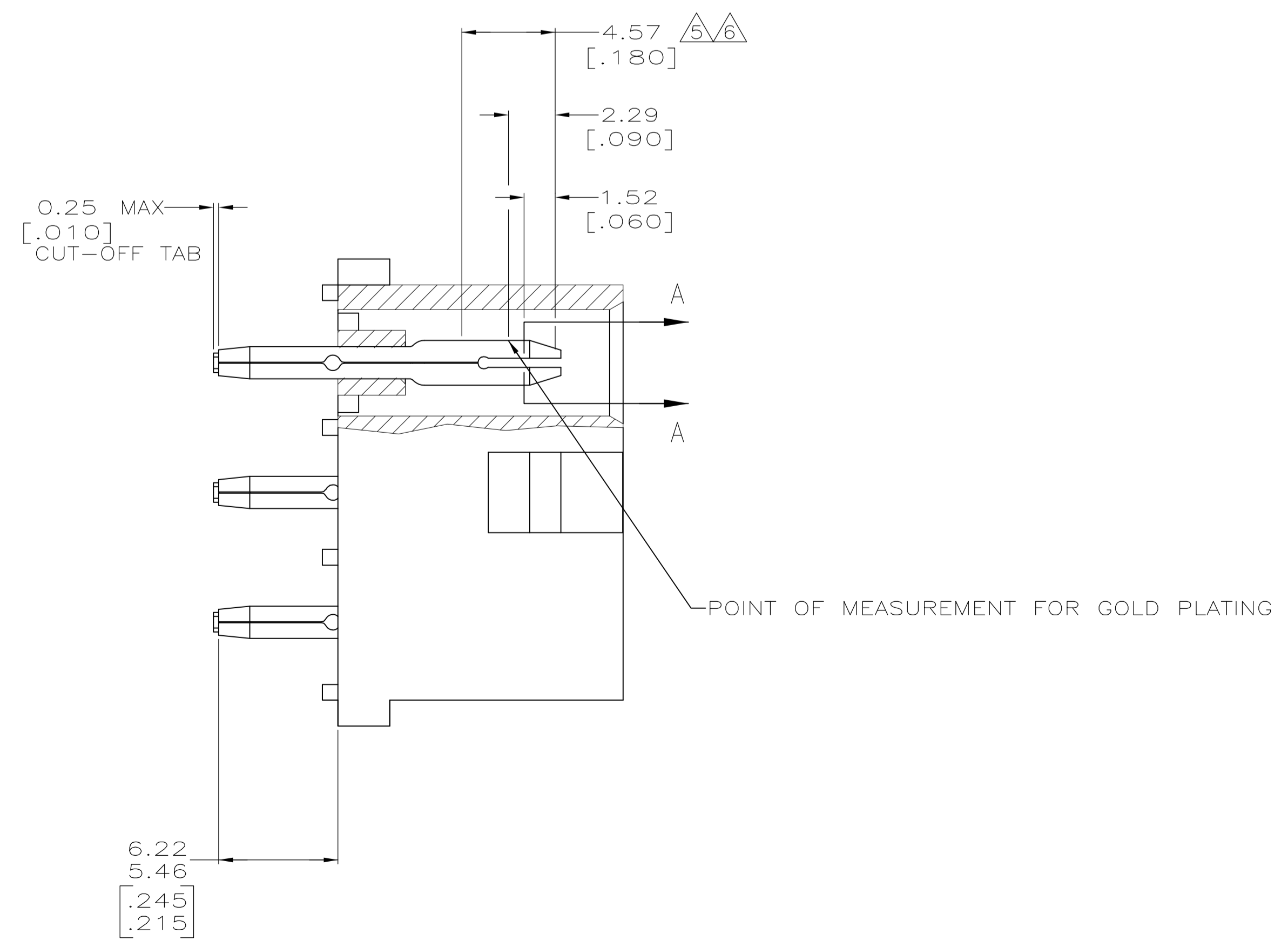
- PARTS COMPLY WITH TE SOLDERABILITY SPECIFICATION 109-11-3.
- MATES WITH 480708 USING SOCKET CONTACTS.
- DIMENSIONS IN BRACKETS ARE IN INCHES.
- CIRCUIT IDENTIFICATION CHARACTERS ARE ADJACENT TO THE INDICATED CAVITIES, BUT LOCATION AND ORIENTATION MAY DIFFER FROM PRINT.
- CONTACT IS PLATED OVERALL WITH 0.00127[.000050] NICKEL, THEN 0.00076[.000030] GOLD OVER CONTACT LENGTH INDICATED AND MATTE TIN ON SOLDER TAIL END.
- CONTACT IS PLATED OVERALL WITH 0.00127[.000050] NICKEL, THEN 0.00076[.000030] GOLD OVER CONTACT LENGTH INDICATED AND MATTE TIN ON SOLDER TAIL END.
- OBSOLETE PARTS: OBSOLETE CIS STREAMLINING PER D.RENAUD/D.SINISI



RECOMMENDED MOUNTING HOLE PATTERN FOR A 3.18 [.125] THK P.C. BOARD



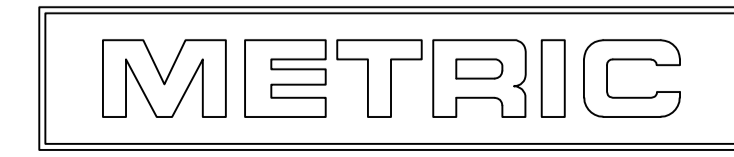
SECTION A-A  
SCALE 10:1



3-DIMENSIONAL MODEL NTS

	OBSOLETE	PH BRZ		NYLON, UL94V-2	NATURAL	-350587-4-
	OBSOLETE	PH BRZ		NYLON, UL94V-2	NATURAL	-350587-2-
		PH BRZ	PRE-TIN	NYLON, UL94V-2	NATURAL	350587-1

MATERIAL	FINISH	MATERIAL	COLOR	PART NO
PIN		HOUSING		
THIS DRAWING IS A CONTROLLED DOCUMENT.				
DIMENSIONS: mm [INCHES]		TOLERANCES UNLESS OTHERWISE SPECIFIED:		
0 PLC ± -		1 PLC ± -		
1 PLC ± -		2 PLC ± 0.13[.005]		
3 PLC ± -		4 PLC ± -		
4 PLC ± -		ANGLES ± -		
MATERIAL SEE TABLE		FINISH SEE TABLE		WEIGHT -
BIN K. WHITAKER 1-19-98		CHK R. SWING 1-19-98		APVD M. TRULL 1-19-98
NAME		NAME		
PRODUCT SPEC		PRODUCT SPEC		
108-1053		108-1053		
APPLICATION SPEC		APPLICATION SPEC		
114-1010		114-1010		
SIZE		CASE CODE		DRAWING NO
A1		00779		350587
CUSTOMER DRAWING		SCALE 5:1		SHEET 1 OF 1
				REV T2



## X-ON Electronics

Largest Supplier of Electrical and Electronic Components

*Click to view similar products for [Pin & Socket Connectors](#) category:*

*Click to view products by [TE Connectivity](#) manufacturer:*

Other Similar products are found below :

[6450822-1](#) [770392-1](#) [794042-1](#) [796885-1](#) [8-794535-1](#) [PLR3455ACS-222](#) [R929991004](#) [R929993003](#) [1403611-1](#) [1-480349-5](#) [152302-5](#)  
[153211-2](#) [1586092-1](#) [1586129-1](#) [1586681-4](#) [1586700-1](#) [1586368-1](#) [1586380-1](#) [1586616-1](#) [1586680-5](#) [16-06-0038](#) [164164-5](#) [1-6609930-1](#)  
[172296-1](#) [19-09-2035](#) [200503-1](#) [200788-2](#) [2029090-4](#) [2029095-4](#) [925061-7](#) [293734-4](#) [293737-2](#) [1-765362-4](#) [1871534-1](#) [200833-4](#)  
[2008625-2](#) [2029027-2](#) [2029096-4](#) [R929991000](#) [R929991002](#) [R929993000](#) [319-10-101-00-005000](#) [319-10-102-00-001000](#) [319-10-104-00-001000](#) [319-10-105-00-001000](#) [319-10-108-00-001000](#) [319-10-112-00-006000](#) [39-01-8019](#) [319-10-101-00-001000](#) [319-10-102-00-005000](#)