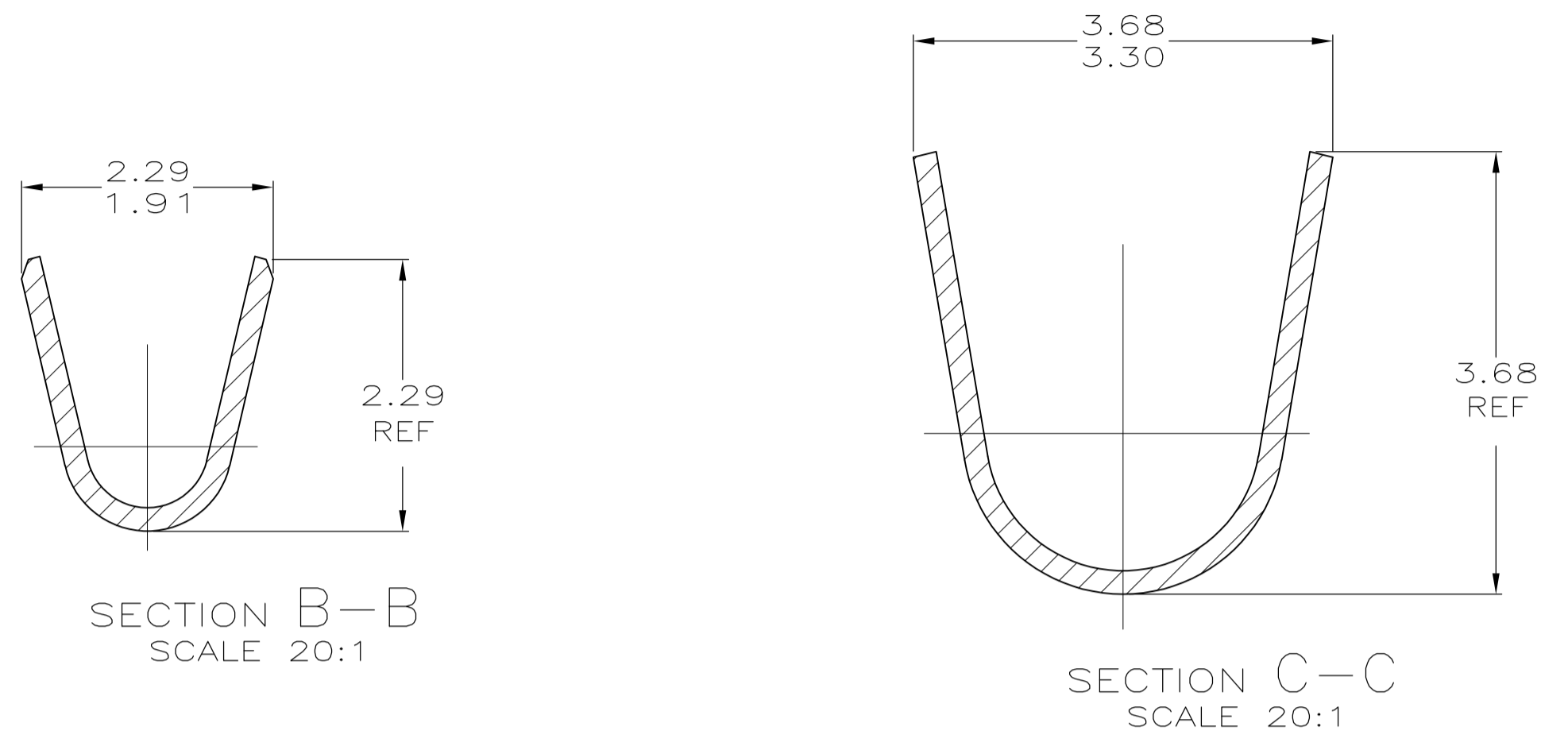
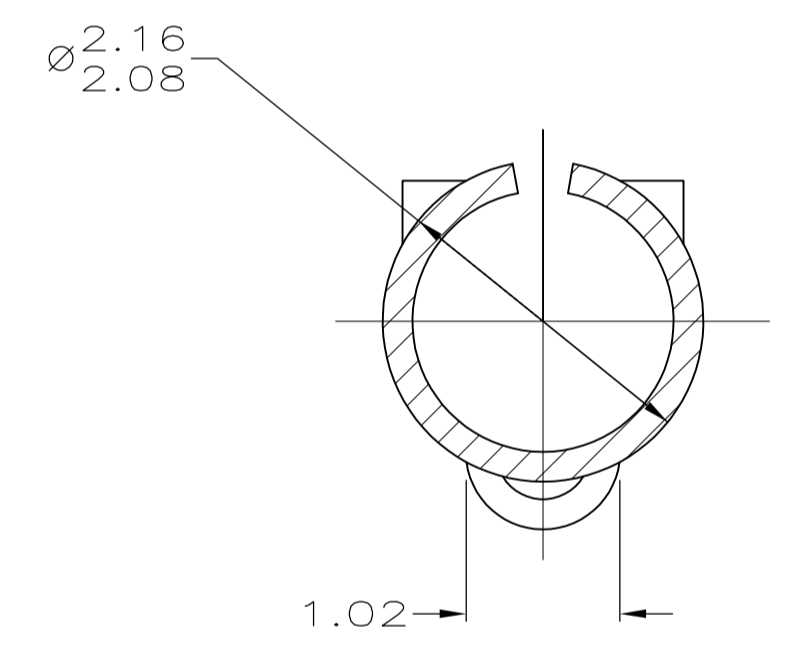


REVISIONS				
P	LTR	DESCRIPTION	DATE	APPV
S2		REVISED PER ECR-16-017000	07DEC16	N.L. D.Z

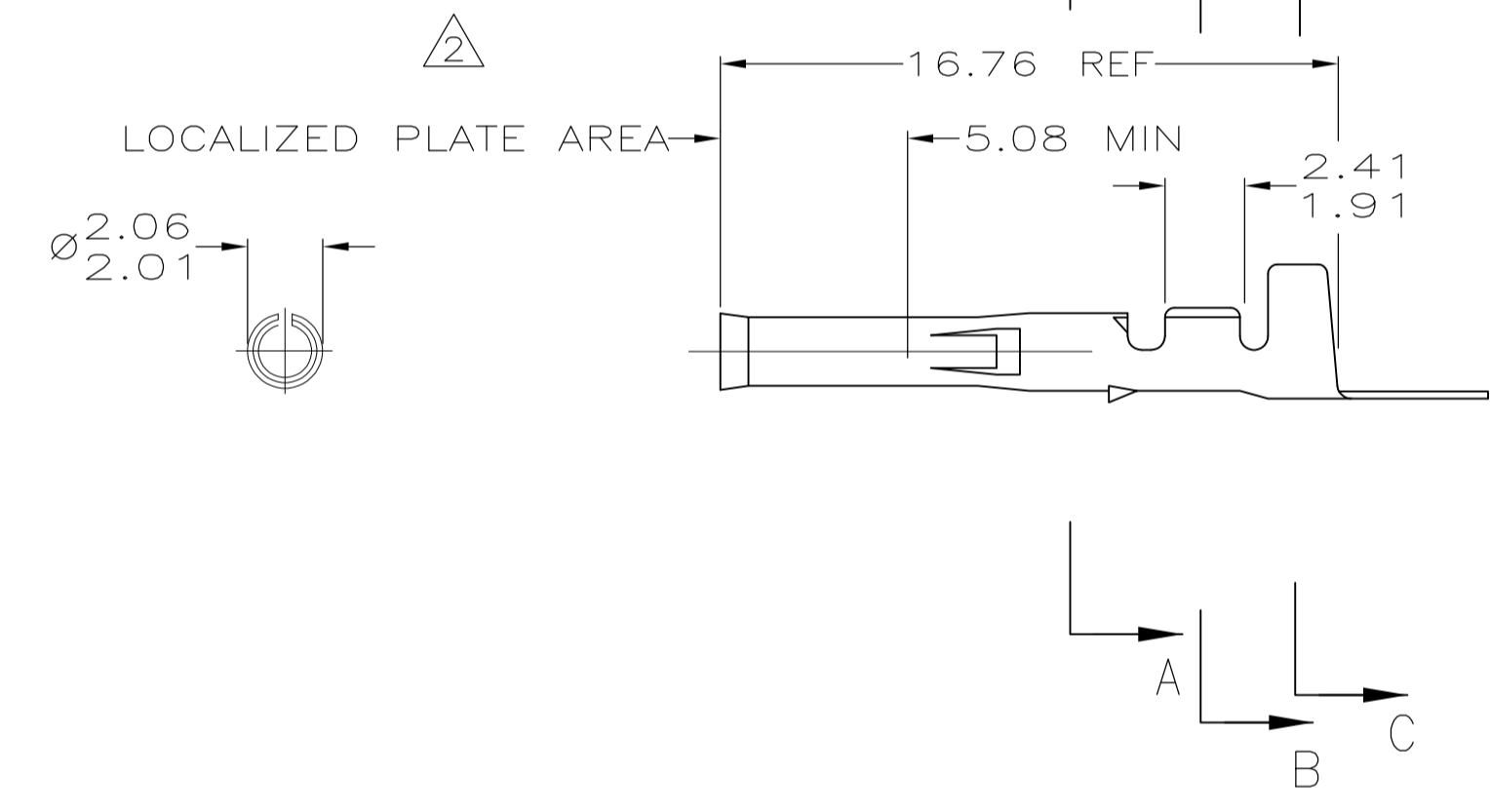
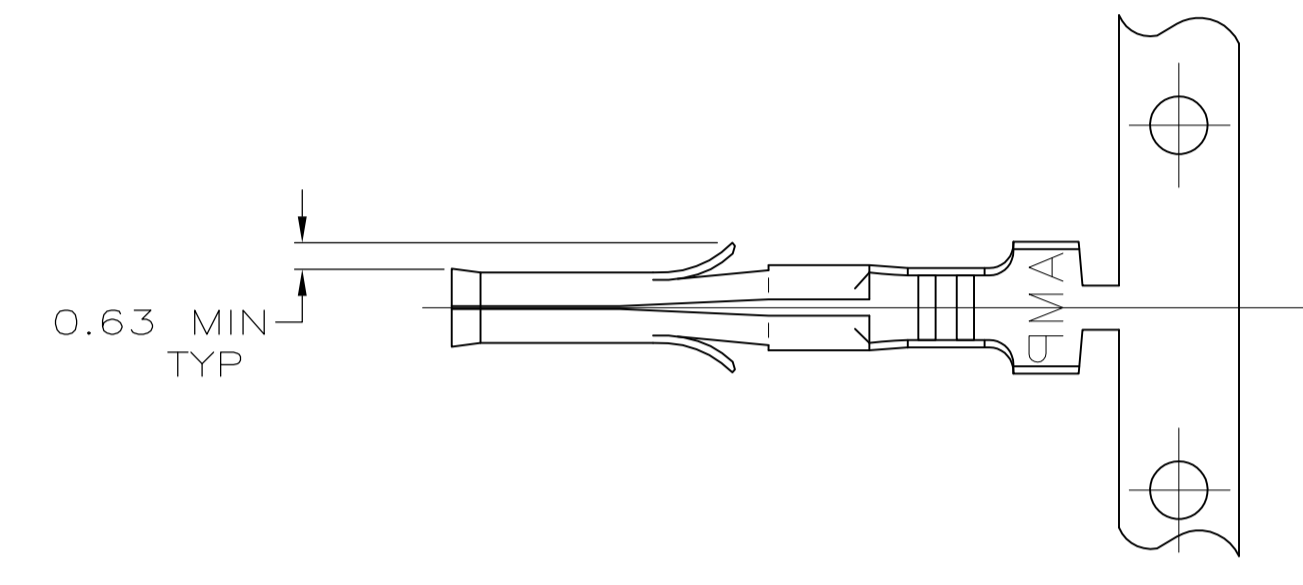


SECTION B-B
SCALE 20:1

SECTION C-C
SCALE 20:1



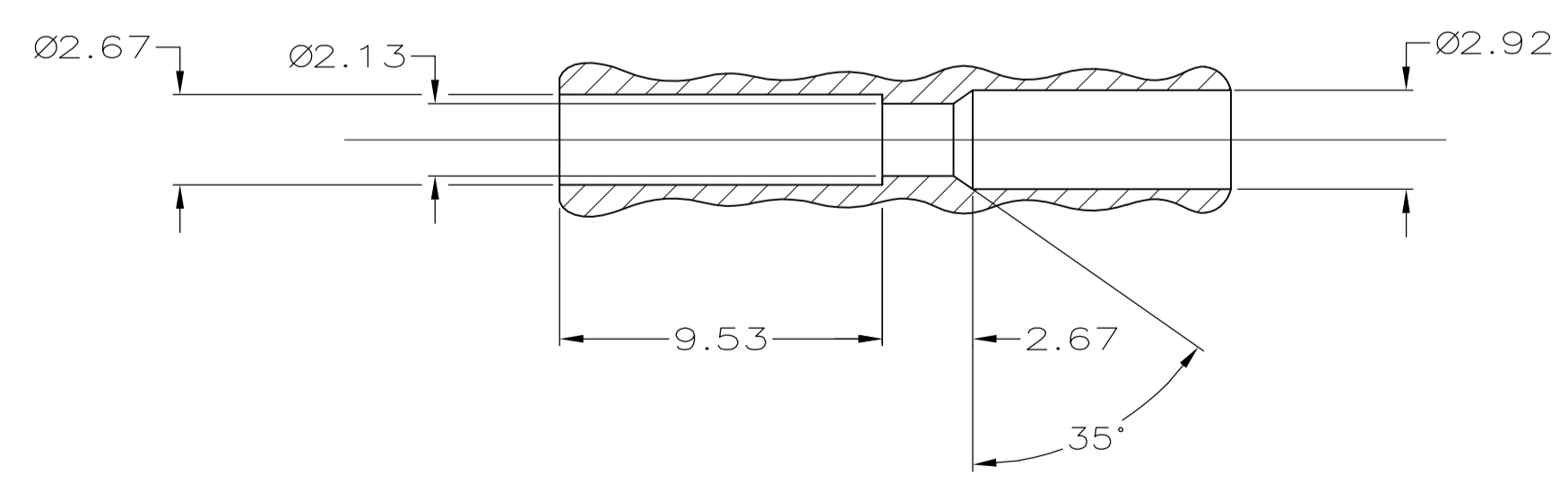
SECTION A-A
SCALE 20:1



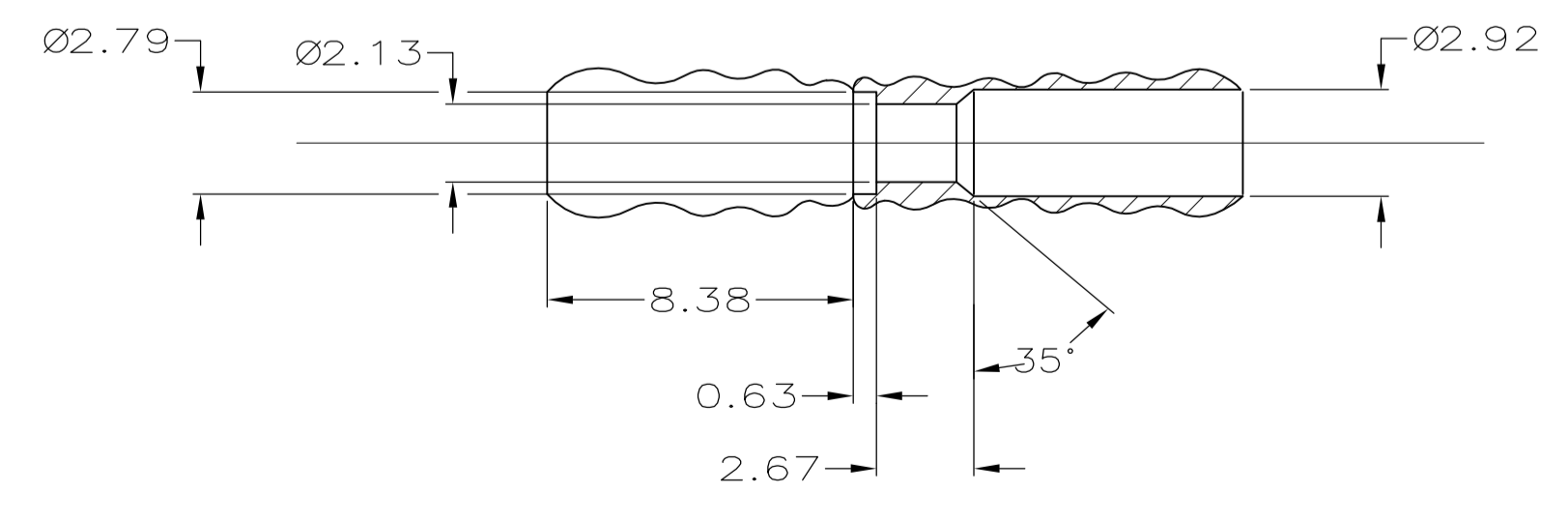
- ② 0.0008 MIN GOLD INSIDE RECEPTACLE IN LOCALIZED PLATE AREA, OVER 0.0008 MIN NICKEL.
- 3. EITHER CAVITY WILL ACCEPT RECEPTACLE 350628,640392 OR PIN 350629,640391.
- ④ REELED ON PLASTIC REELS.
- ③ DOUBLE BAGGED VERSION OF 350628-8

-	-
.660	16.76
.375	9.53
.330	8.38
.200	5.08
.145	3.68
.130	3.30
.115	2.92
.110	2.79
.105	2.67
.095	2.41
.090	2.29
.085	2.16
.084	2.13
.082	2.08
.081	2.06
.079	2.01
.075	1.91
.050	1.27
.040	1.02
.025	0.63
.008	0.20
.005	0.13
.000030	0.0008
IN	MM

CONVERSION TABLE



TYPICAL RECEPTACLE CAVITY SECTION
REFERENCE



TYPICAL PLUG CAVITY SECTION
REFERENCE

FINISH	MATERIAL	INSULATION DIAMETER	WIRE RANGE	PART NO
③ PRE-TIN	0.20 BRASS	1.27-2.79	24-18	350628-9
④ PRE-TIN	0.20 BRASS	1.27-2.79	24-18	350628-8
② ③	0.20 PH.BRZ.	1.27-2.79	24-18	350628-6
②	0.20 BRASS	1.27-2.79	24-18	350628-5
PRE-TIN	0.20 PH.BRZ.	1.27-2.79	24-18	350628-2
PRE-TIN	0.20 BRASS	1.27-2.79	24-18	350628-1

THIS DRAWING IS A CONTROLLED DOCUMENT.

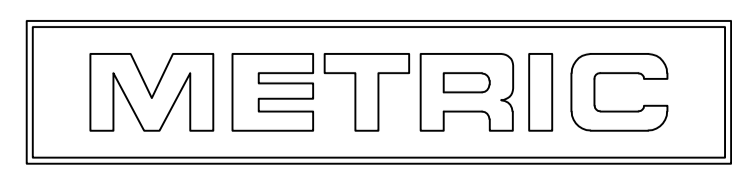
DIMENSIONS: INCHES	TOLERANCES UNLESS OTHERWISE SPECIFIED:	DWG: K. SALMON 9-30-91	CHK: R. SWING 9-30-91	APPRO: C. CASH 10-1-91	NAME: K. SALMON
0 PLC ± -	1 PLC ± -	2 PLC ± -	3 PLC ± 0.13	4 PLC ± -	ANGLES ± α° 30'
MATERIAL: SEE TABLE	FINISH: SEE TABLE	WEIGHT: 0	SIZE: A1	CAGE CODE: 00779	DRAWING NO: 350628
CUSTOMER DRAWING			SCALE: 5:1	SHEET: 1 OF 1	REV: S2

STE TE Connectivity

PRODUCT SPEC: 108-1037

APPLICATION SPEC: 114-1013

RESTRICTED TO: -



X-ON Electronics

Largest Supplier of Electrical and Electronic Components

Click to view similar products for [Pin & Socket Connectors](#) category:

Click to view products by [TE Connectivity](#) manufacturer:

Other Similar products are found below :

[6450822-1](#) [770392-1](#) [794042-1](#) [796885-1](#) [8-794535-1](#) [PLR3455ACS-222](#) [R929991004](#) [R929993003](#) [1403611-1](#) [1-480349-5](#) [152302-5](#)
[153211-2](#) [1586092-1](#) [1586129-1](#) [1586681-4](#) [1586700-1](#) [1586368-1](#) [1586380-1](#) [1586616-1](#) [1586680-5](#) [16-06-0038](#) [164164-5](#) [1-6609930-1](#)
[172296-1](#) [19-09-2035](#) [200503-1](#) [200788-2](#) [2029090-4](#) [2029095-4](#) [925061-7](#) [293734-4](#) [293737-2](#) [1-765362-4](#) [1871534-1](#) [200833-4](#)
[2008625-2](#) [2029027-2](#) [2029096-4](#) [R929991000](#) [R929991002](#) [R929993000](#) [319-10-101-00-005000](#) [319-10-102-00-001000](#) [319-10-104-00-001000](#) [319-10-105-00-001000](#) [319-10-108-00-001000](#) [319-10-112-00-006000](#) [39-01-8019](#) [319-10-101-00-001000](#) [319-10-102-00-005000](#)