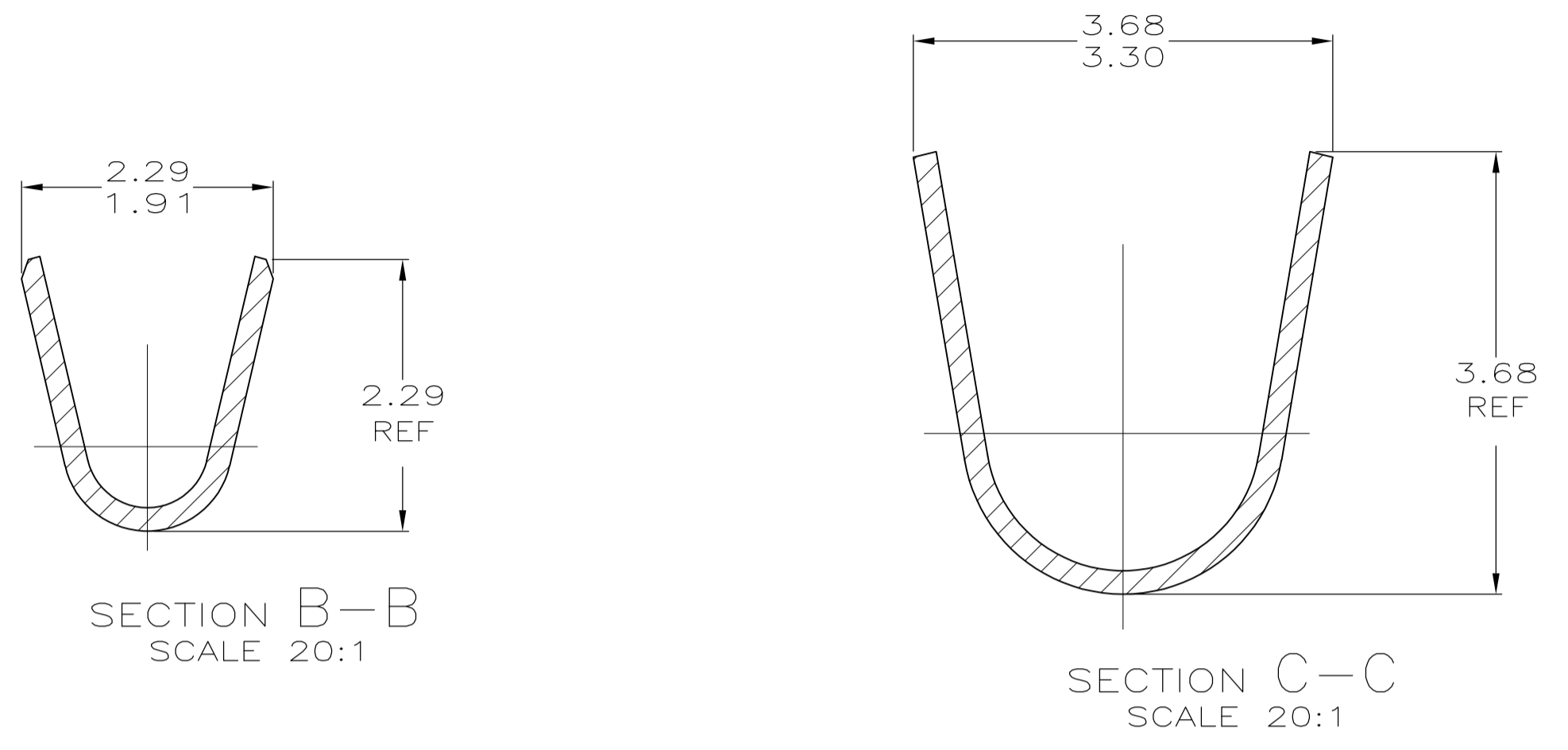
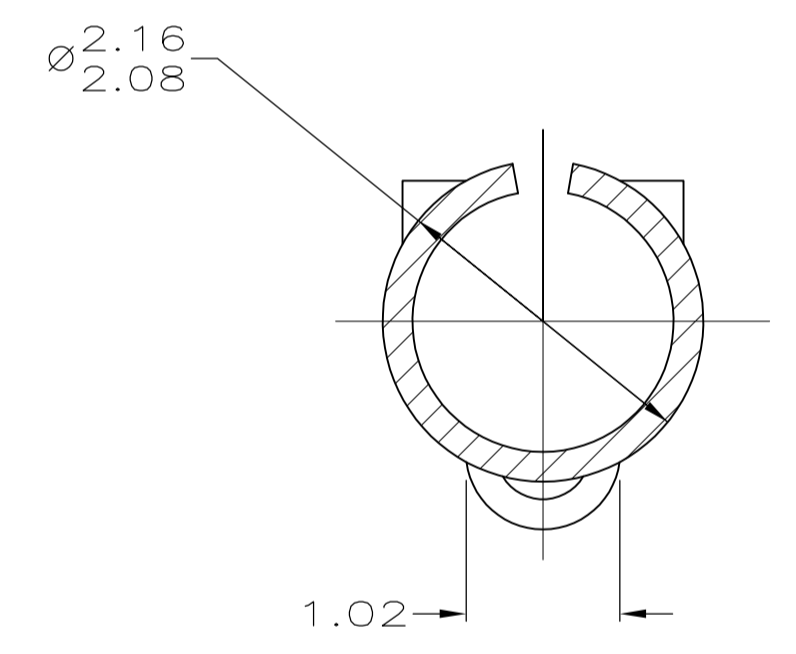


REVISIONS				
P	LTR	DESCRIPTION	DATE	APPV
S2		REVISED PER ECR-16-017000	07DEC16	N.L. D.Z

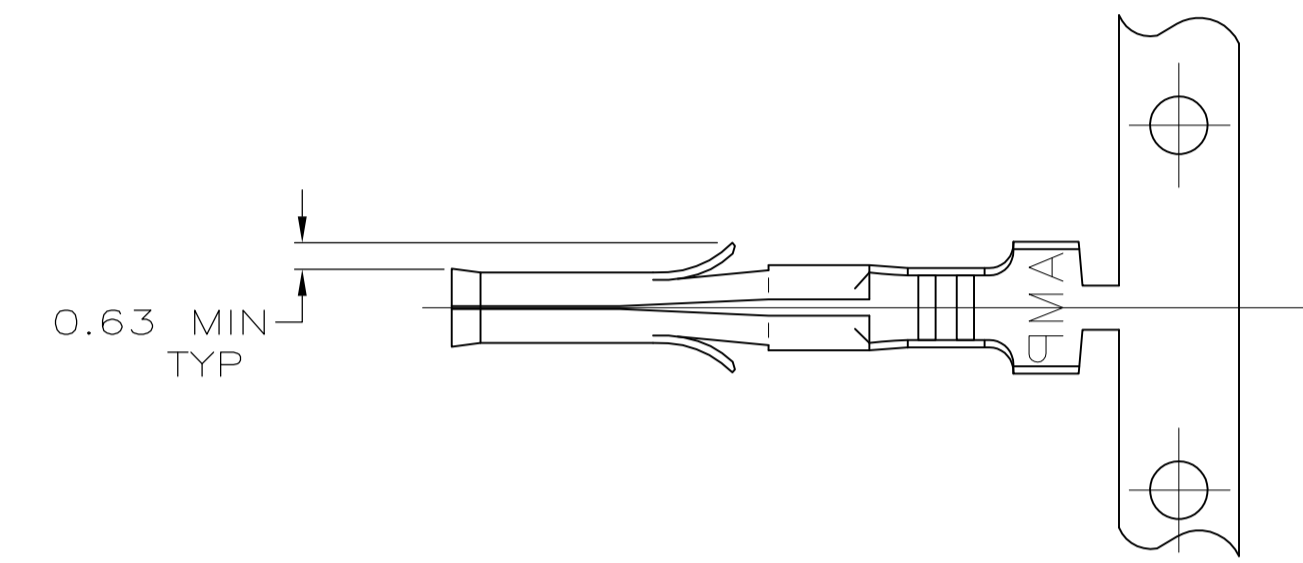


SECTION B-B
SCALE 20:1

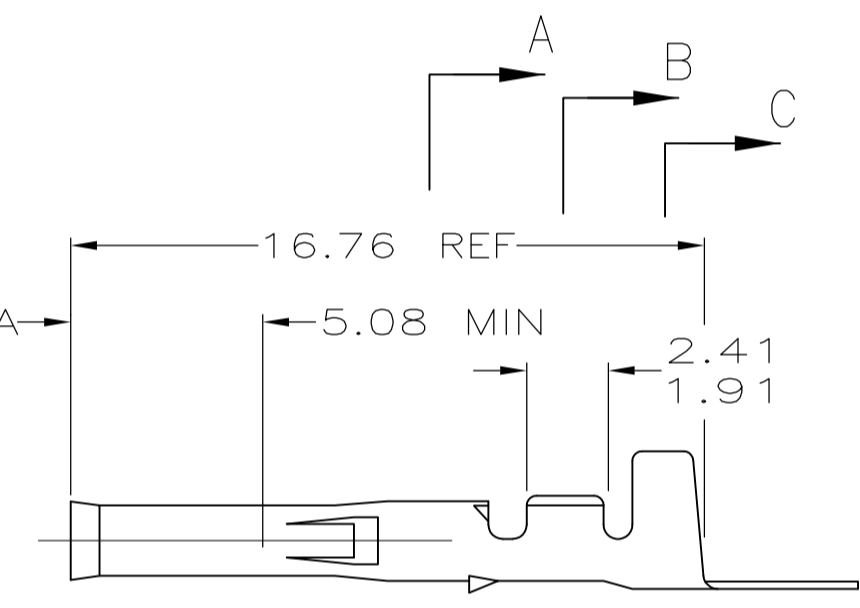
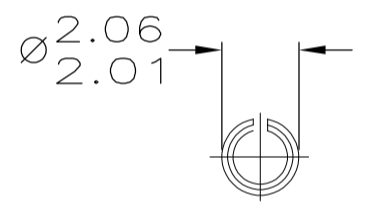
SECTION C-C
SCALE 20:1



SECTION A-A
SCALE 20:1



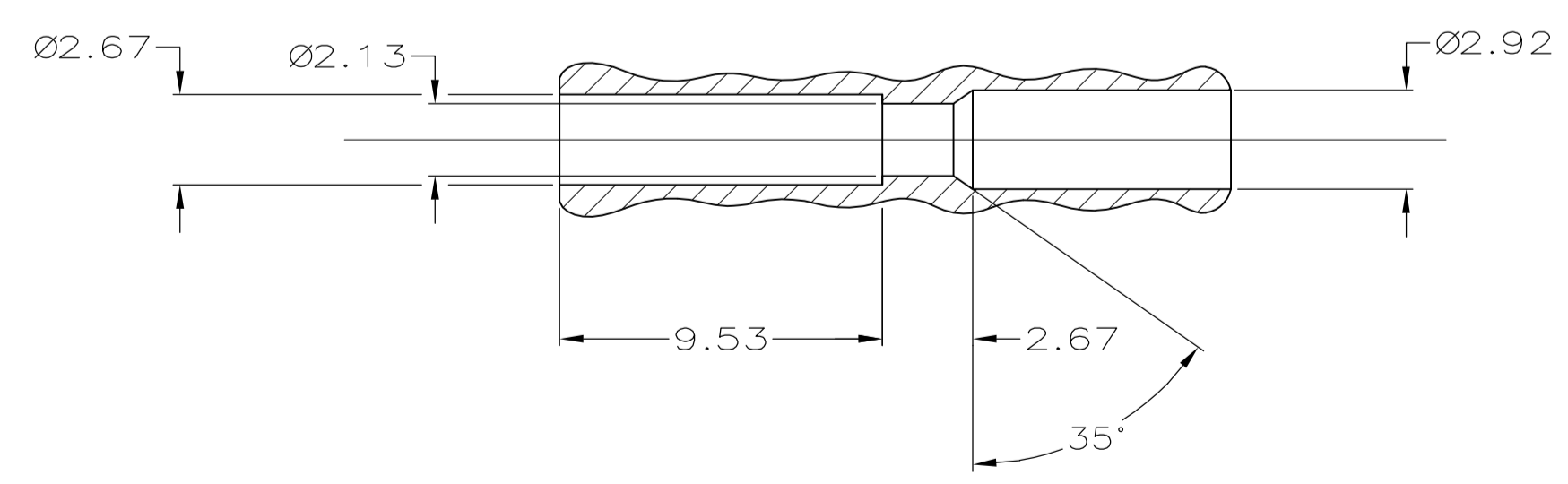
LOCALIZED PLATE AREA



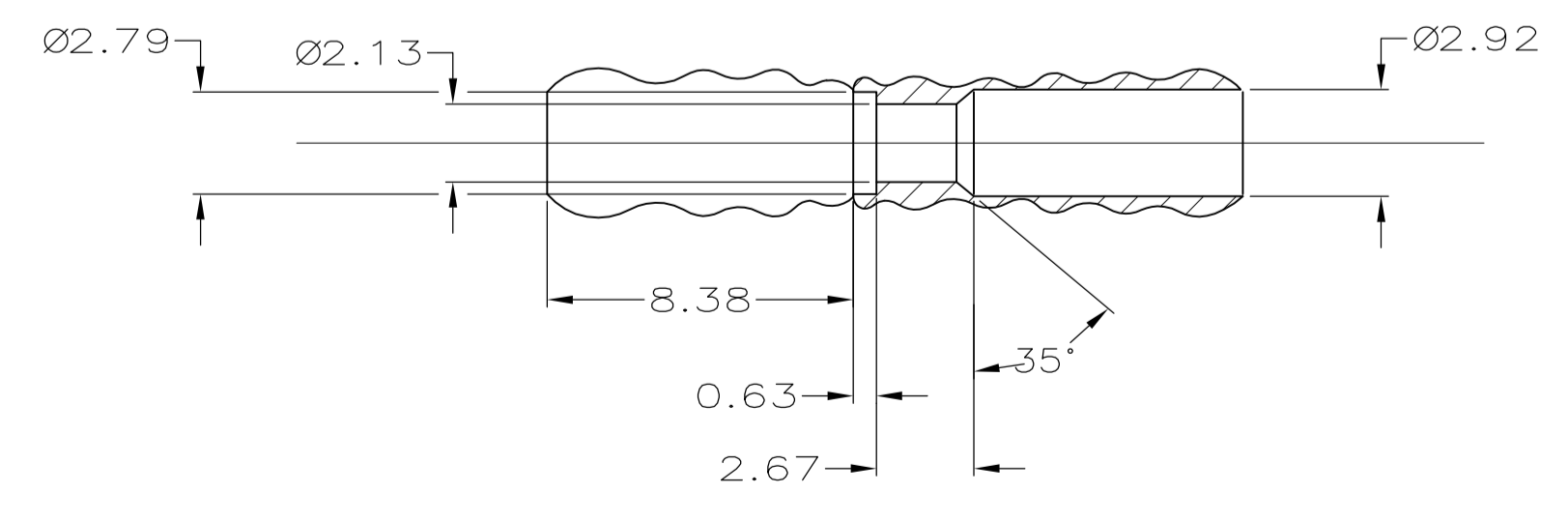
- ② 0.0008 MIN GOLD INSIDE RECEPTACLE IN LOCALIZED PLATE AREA, OVER 0.0008 MIN NICKEL.
- 3. EITHER CAVITY WILL ACCEPT RECEPTACLE 350628,640392 OR PIN 350629,640391.
- ④ REELED ON PLASTIC REELS.
- ③ DOUBLE BAGGED VERSION OF 350628-8

-	-
.660	16.76
.375	9.53
.330	8.38
.200	5.08
.145	3.68
.130	3.30
.115	2.92
.110	2.79
.105	2.67
.095	2.41
.090	2.29
.085	2.16
.084	2.13
.082	2.08
.081	2.06
.079	2.01
.075	1.91
.050	1.27
.040	1.02
.025	0.63
.008	0.20
.005	0.13
.000030	0.0008
IN	MM

CONVERSION TABLE



TYPICAL RECEPTACLE CAVITY SECTION
REFERENCE



TYPICAL PLUG CAVITY SECTION
REFERENCE

FINISH	MATERIAL	INSULATION DIAMETER	WIRE RANGE	PART NO
③ PRE-TIN	0.20 BRASS	1.27-2.79	24-18	350628-9
④ PRE-TIN	0.20 BRASS	1.27-2.79	24-18	350628-8
②	0.20 PH.BRZ.	1.27-2.79	24-18	350628-6
②	0.20 BRASS	1.27-2.79	24-18	350628-5
PRE-TIN	0.20 PH.BRZ.	1.27-2.79	24-18	350628-2
PRE-TIN	0.20 BRASS	1.27-2.79	24-18	350628-1

THIS DRAWING IS A CONTROLLED DOCUMENT.

DIMENSIONS: INCHES	TOLERANCES UNLESS OTHERWISE SPECIFIED:	DIN 9-30-91	STE TE Connectivity
0 PLC ± -	1 PLC ± -	9-30-91	
2 PLC ± -	3 PLC ± 0.13	10-1-91	
4 PLC ± -	ANGLES ± 0° 30'		

MATERIAL SEE TABLE FINISH SEE TABLE

APPROVED: R. SWING, C. CASH, K. SALMON, R. SWING, C. CASH, K. SALMON

PRODUCT SPEC: 108-1037

APPLICATION SPEC: 114-1013

WEIGHT: 0

SIZE: A1

CAGE CODE: 00779

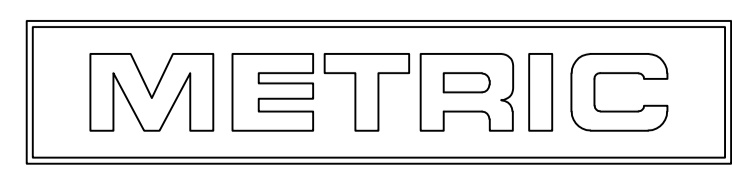
DRAWING NO: 350628

CUSTOMER DRAWING

SCALE: 5:1

SHEET: 1 OF 1

REV: S2



X-ON Electronics

Largest Supplier of Electrical and Electronic Components

Click to view similar products for [Pin & Socket Connectors](#) category:

Click to view products by [TE Connectivity](#) manufacturer:

Other Similar products are found below :

[6450822-1](#) [770392-1](#) [794042-1](#) [796885-1](#) [8-794535-1](#) [PLR3455ACS-222](#) [R929991004](#) [R929993003](#) [1403611-1](#) [1-480349-5](#) [152302-5](#)
[153211-2](#) [1586092-1](#) [1586129-1](#) [1586681-4](#) [1586700-1](#) [1586368-1](#) [1586380-1](#) [1586616-1](#) [1586680-5](#) [16-06-0038](#) [164164-5](#) [1-6609930-1](#)
[172296-1](#) [19-09-2035](#) [200503-1](#) [200788-2](#) [2029090-4](#) [2029095-4](#) [925061-7](#) [293734-4](#) [293737-2](#) [1-765362-4](#) [1871534-1](#) [200833-4](#)
[2008625-2](#) [2029027-2](#) [2029096-4](#) [R929991000](#) [R929991002](#) [R929993000](#) [319-10-101-00-005000](#) [319-10-102-00-001000](#) [319-10-104-00-001000](#) [319-10-105-00-001000](#) [319-10-108-00-001000](#) [319-10-112-00-006000](#) [39-01-8019](#) [319-10-101-00-001000](#) [319-10-102-00-005000](#)