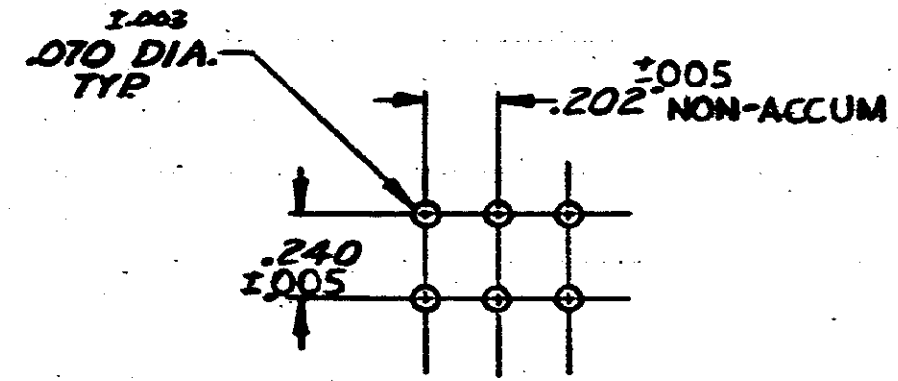
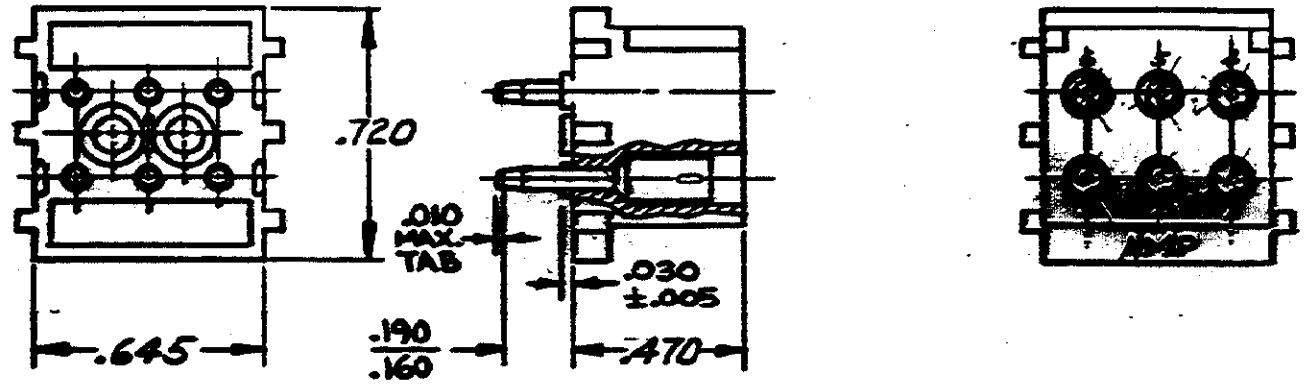


U



RECOMMENDED LAYOUT FOR  
.062 THICK P.C. BOARD

1. MATES WITH HOUSING 480276
2. PARTS COMPLY WITH AMP SOLDERABILITY SPEC. #109-11-3
3. OBSOLETE PARTS: OBSOLETE CIS STREAMLINING PER D.RENAUD/D.SINISI

3 OBSOLETE	350641-2	NYLON - NATURAL	PHOS BRZ - GOLD
	350641-1	NYLON - NATURAL	PHOS BRZ - PRE-TIN
ASSEMBLY NO.		HSG. MATL & COLOR	PIN MATL & FINISH

Unpublished copy not to be reproduced nor published without written permission of AMP Incorporated

G	OBSOLETE 1-11-72	KW	RS	A-21	86
F	RESTORED	SK	RS	9/5/85	
F	REV PER M-7376	SS	CA	5/30/85	
E	REVISED M-3932	MF	D.H.	2-28-77	
D	ECN M-3871	REN	D.H.	9-9-72	
C	ECN M-3952	GY	RSE	7/4/74	
B	RELEASED FOR PWD	DR	D.L.	7/1/75	
A	ECN M-3152	CP	SM	7/1/75	
	PER ECN M-2996	HS	DL	5/1/74	

REQUIRED PER ASSEMBLY									
DESCRIPTION									

© 1973 AMP INCORPORATED. ALL RIGHTS RESERVED.  
AMP PRODUCTS COVERED BY PATENTS AND/OR PATENTS PENDING.

OR 9. Edman 5-31-73

CHK 2 Chrom 4-5-74

DE EM Poth... 4/5/74

AMP EM... 4/5/74

MATERIAL AND FINISH  
SEE TABLE

WIRE RANGE - INSULATION  
H

TOLERANCE EXCEPT AS NOTED  
±.015 ±.1° 0'

SCALE  
H

LOC  
CM B

NO  
350641

REV  
G1

NAME  
6 CIRCUIT MATE-N-LOK P.C. BOARD SOCKET HEADER

CUSTOMER COPY REFERENCE ONLY

AMP INCORPORATED  
HARRISBURG, PENNA.

G1	REV PER ECO-09-026346	KK	AEG	NOV09
LTN	REVISION RECORD	DR	CHK	DATE

## X-ON Electronics

Largest Supplier of Electrical and Electronic Components

*Click to view similar products for [Pin & Socket Connectors](#) category:*

*Click to view products by [TE Connectivity](#) manufacturer:*

Other Similar products are found below :

[6450822-1](#) [770392-1](#) [794042-1](#) [796885-1](#) [8-794535-1](#) [PLR3455ACS-222](#) [R929991004](#) [R929993003](#) [1403611-1](#) [1-480349-5](#) [152302-5](#)  
[153211-2](#) [1586092-1](#) [1586129-1](#) [1586681-4](#) [1586700-1](#) [1586368-1](#) [1586380-1](#) [1586616-1](#) [1586680-5](#) [16-06-0038](#) [164164-5](#) [1-6609930-1](#)  
[172296-1](#) [19-09-2035](#) [200503-1](#) [200788-2](#) [2029090-4](#) [2029095-4](#) [925061-7](#) [293734-4](#) [293737-2](#) [1-765362-4](#) [1871534-1](#) [200833-4](#)  
[2008625-2](#) [2029027-2](#) [2029096-4](#) [R929991000](#) [R929991002](#) [R929993000](#) [319-10-101-00-005000](#) [319-10-102-00-001000](#) [319-10-104-00-001000](#) [319-10-105-00-001000](#) [319-10-108-00-001000](#) [319-10-112-00-006000](#) [39-01-8019](#) [319-10-101-00-001000](#) [319-10-102-00-005000](#)