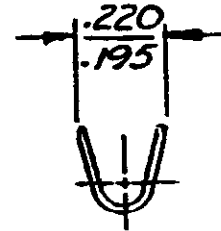
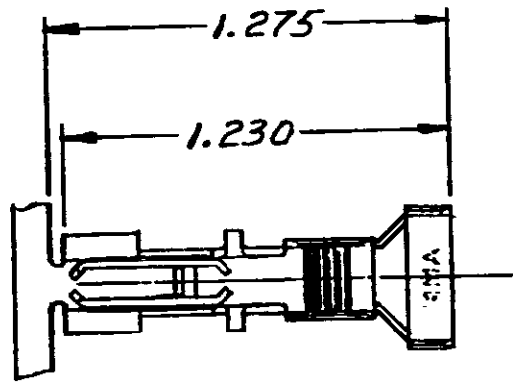


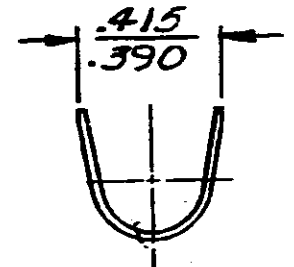
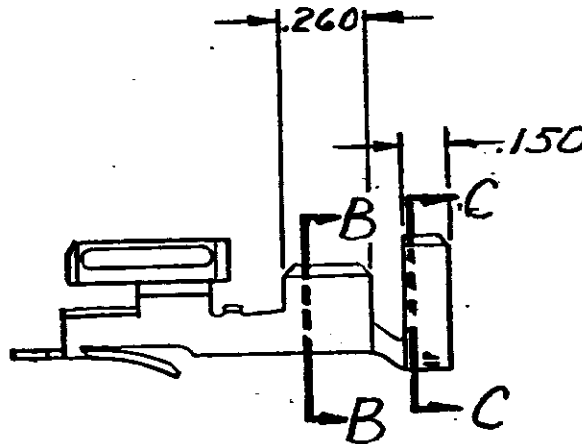
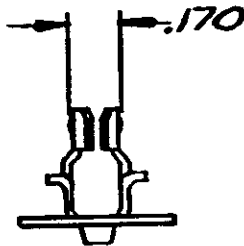
DRAWING MADE IN AMERICAN PROJECTION

197

NUMBER
350650



SECT. B-B



SECT. C-C

DIMENSIONS IN INCHES. DO NOT SCALE PRINT.

| | | | |
|-----|---------------------|---------|---------|
| H | WAS LOC CM, REVISED | S4141 | 7/28/87 |
| G1 | RESTORED | | 8/1/87 |
| G | REV. PER. ECN CMIZI | | 9/15/87 |
| F | REVISED MAKE | M-3272 | 6/16/76 |
| E | REVISED M-3484 | 6/16/76 | 8/1/75 |
| D | .170 WAS 165 | M-3443 | 10/1/75 |
| C | REVISED PER M- | 3348 | 7/1/75 |
| B | 3/4" WAS 3/4" | 3323 | 7/1/75 |
| A | REVISED PER M- | 1500 | 5-16-74 |
| LTR | REVISION RECORD | ECN | DATE |
| DR | g. Ebn... | DE | Thom... |
| CHK | | APP. | Thom... |

| | |
|-----------------|----------|
| PHOSPHOR BRONZE | 350650-1 |
| MATERIAL | PART NO. |

© 1974 BY AMP INCORPORATED. ALL RIGHTS RESERVED. PRODUCTS COVERED BY PATENTS PENDING.

CUSTOMER COPY REFERENCE ONLY

| | | | |
|--|--|--|--------|
| FINISH | | AMP INCORPORATED HARRISBURG, PENNA. | |
| TIN | | CLASS | H |
| WIRE RANGE INSULATION | | TYPE | H |
| 12-BAWG .360 MAX | | LCC | S |
| TOLERANCE EXCEPT AS NOTED ± .015 ± 1° 0' | | SCALE | H |
| NAME | | NO | 350650 |
| HERMAPHRODITIC HIGH CURRENT TERMINAL | | REV | H |

PRINTED
64

CUSTOMER DRAWING

X-ON Electronics

Largest Supplier of Electrical and Electronic Components

Click to view similar products for [Power to the Board](#) category:

Click to view products by [TE Connectivity](#) manufacturer:

Other Similar products are found below :

[6450171-4](#) [6450552-7](#) [6600323-8](#) [6643429-1](#) [6646040-2](#) [6651939-1](#) [6766604-1](#) [120959-1](#) [1393557-2](#) [1393532-2](#) [1393532-3](#) [1393532-4](#)
[1393557-1](#) [1600812-5](#) [1-6450861-2](#) [1744132-7](#) [1761122-1](#) [1766250-1](#) [1892109-1](#) [2-6450860-5](#) [2-6450870-0](#) [1-6450161-4](#) [1-6450850-6](#) [1-6450869-6](#) [1645526-2](#) [1-6600130-0](#) [2005243-2](#) [377-0020-11130](#) [TE34-12-16P-F0](#) [5-6450830-6](#) [5646956-4](#) [377-0080-11131A](#) [4-6450830-9](#)
[4-6600333-3](#) [10125416-4050LF](#) [6600320-3](#) [3-6450860-5](#) [1888123-2](#) [6450166-1](#) [6643978-1](#) [6766605-1](#) [701-15-02109](#) [N11444](#) [6651938-1](#)
[6450810-7](#) [46437-1112](#) [1-1589677-8](#) [5646956-5](#) [6450813-2](#) [6450129-4](#)