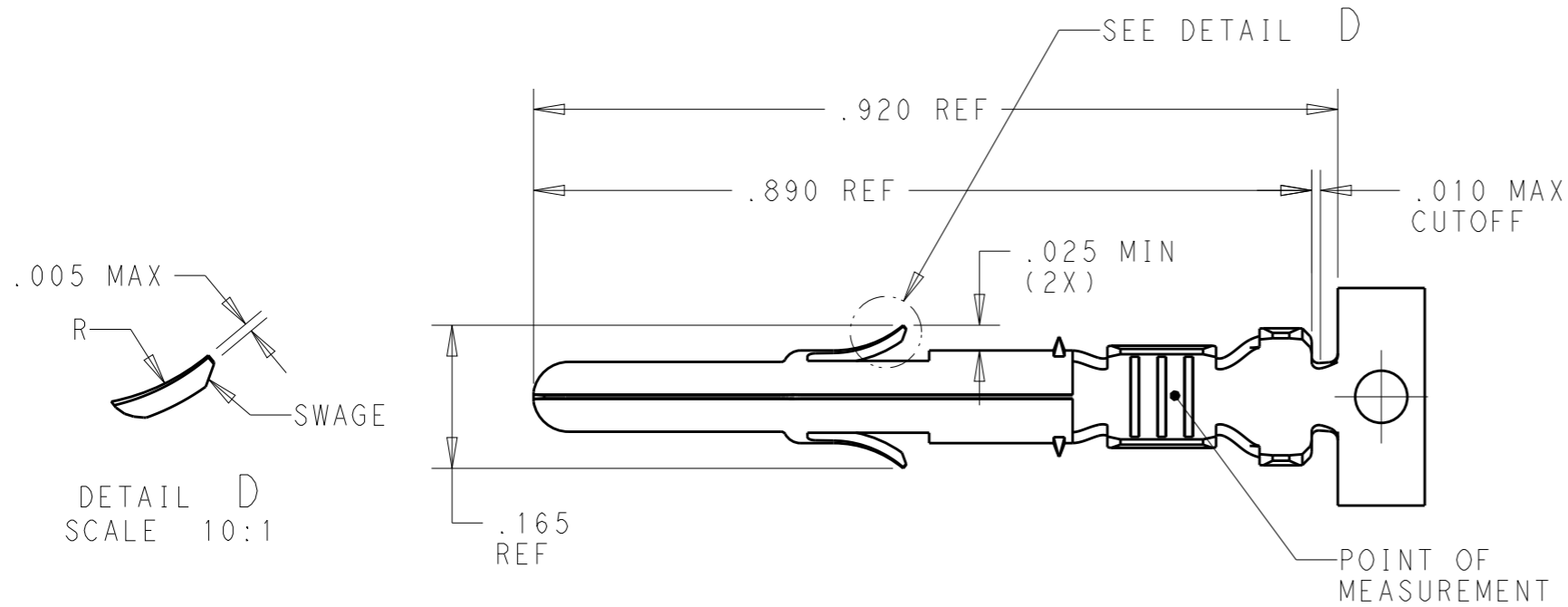


THIS DRAWING IS UNPUBLISHED. RELEASED FOR PUBLICATION 2018
© COPYRIGHT 2018 BY - ALL RIGHTS RESERVED.

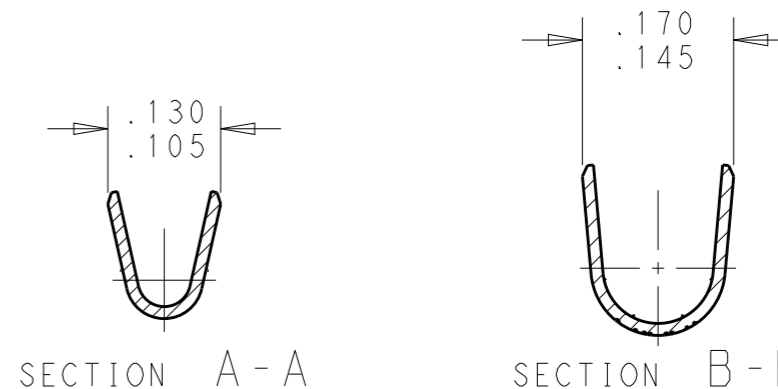
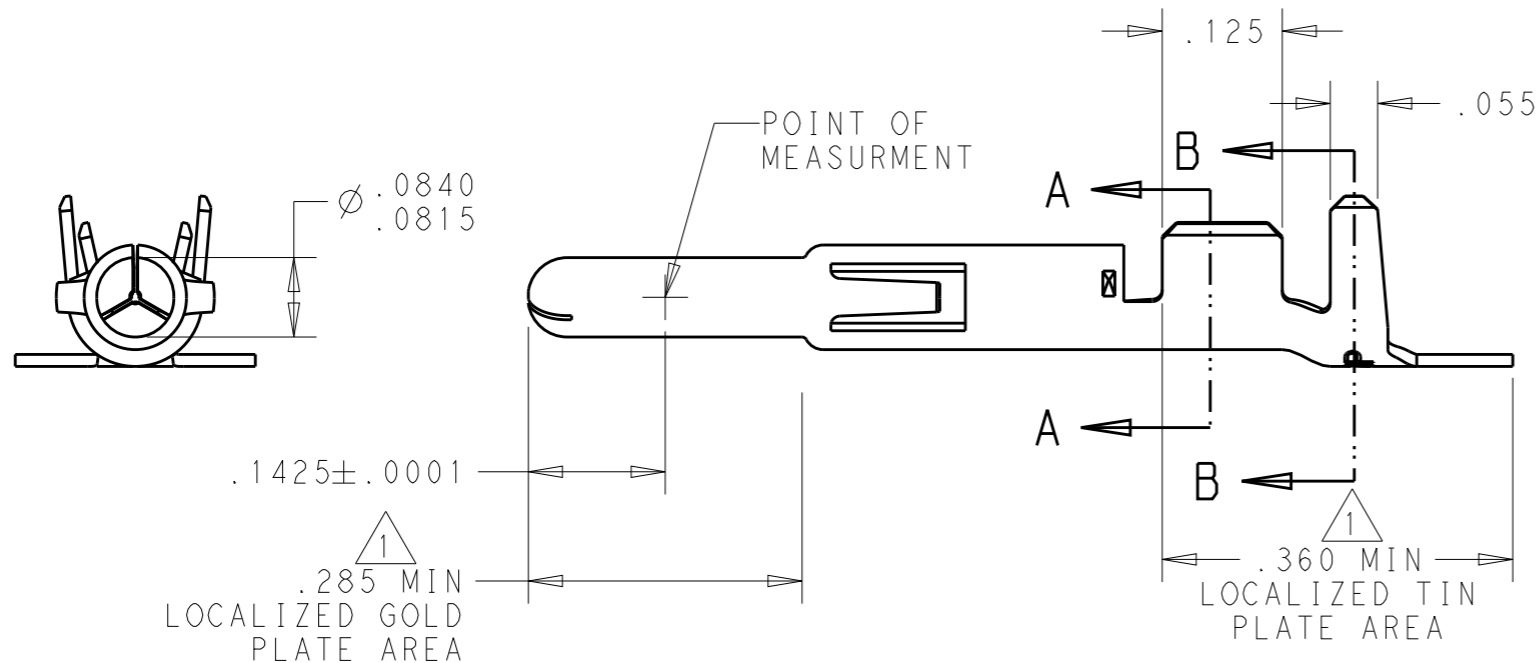
REVISIONS

P	LTR	DESCRIPTION	DATE	DWN	APVD
	R	REVISED PER ECO-19-006989	15MAY2019	BKW	CY
	R1	REVISED PER ECO-19-009144	17JUN2019	BKW	SF
	R2	REVISED PER ECO-19-011413	24JUL2019	BKW	SF



- 1 .000030 MIN GOLD AT POINT OF MEASUREMENT IN GOLD PLATE AREA; .000030 MIN TIN IN TIN PLATE AREA; .000050 NICKEL UNDERPLATE ON ENTIRE CONTACT
- 2 INSULATION RANGE: .060-.130 DIAMETER

DETAIL D SCALE 10:1



-	1	.012 BRASS	350654-7
350669-1	PER-TIN	.012 BRASS	350654-1
LOOSE PIECE (REF)	FINISH	MATERIAL	PART NUMBER

THIS DRAWING IS A CONTROLLED DOCUMENT.

DIMENSIONS:	TOLERANCES UNLESS OTHERWISE SPECIFIED:
IN	0 PLC ±-
	1 PLC ±-
	2 PLC ±-
	3 PLC ±.015
	4 PLC ±-
	ANGLES ±-
MATERIAL	FINISH
-	-
-	-

INSULATION RANGE: 2
WIRE RANGE: 20-14 AWG

DWN	B. WEAVER	17SEP2018
CHK	S. FERNANDES	17SEP2018
APVD	S. FERNANDES	17SEP2018
PRODUCT SPEC	108-1031	
APPLICATION SPEC	114-1010	
WEIGHT	-	
CUSTOMER DRAWING		

TE Connectivity			
NAME PIN, GROUNDING, UNIVERSAL MATE-N-LOK			
SIZE	CAGE CODE	DRAWING NO	RESTRICTED TO
A3	00779	C-350654	-
SCALE		SHEET	REV
5:1		1 OF 1	R2

X-ON Electronics

Largest Supplier of Electrical and Electronic Components

Click to view similar products for [Pin & Socket Connectors](#) category:

Click to view products by [TE Connectivity](#) manufacturer:

Other Similar products are found below :

[6450822-1](#) [770392-1](#) [794042-1](#) [796885-1](#) [8-794535-1](#) [PLR3455ACS-222](#) [R929991004](#) [R929993003](#) [1403611-1](#) [1-480349-5](#) [152302-5](#)
[153211-2](#) [1586092-1](#) [1586129-1](#) [1586681-4](#) [1586700-1](#) [1586368-1](#) [1586380-1](#) [1586616-1](#) [1586680-5](#) [16-06-0038](#) [164164-5](#) [1-6609930-1](#)
[172296-1](#) [19-09-2035](#) [200503-1](#) [200788-2](#) [2029090-4](#) [2029095-4](#) [925061-7](#) [293734-4](#) [293737-2](#) [1-765362-4](#) [1871534-1](#) [200833-4](#)
[2008625-2](#) [2029027-2](#) [2029096-4](#) [R929991000](#) [R929991002](#) [R929993000](#) [319-10-101-00-005000](#) [319-10-102-00-001000](#) [319-10-104-00-001000](#) [319-10-105-00-001000](#) [319-10-108-00-001000](#) [319-10-112-00-006000](#) [39-01-8019](#) [319-10-101-00-001000](#) [319-10-102-00-005000](#)