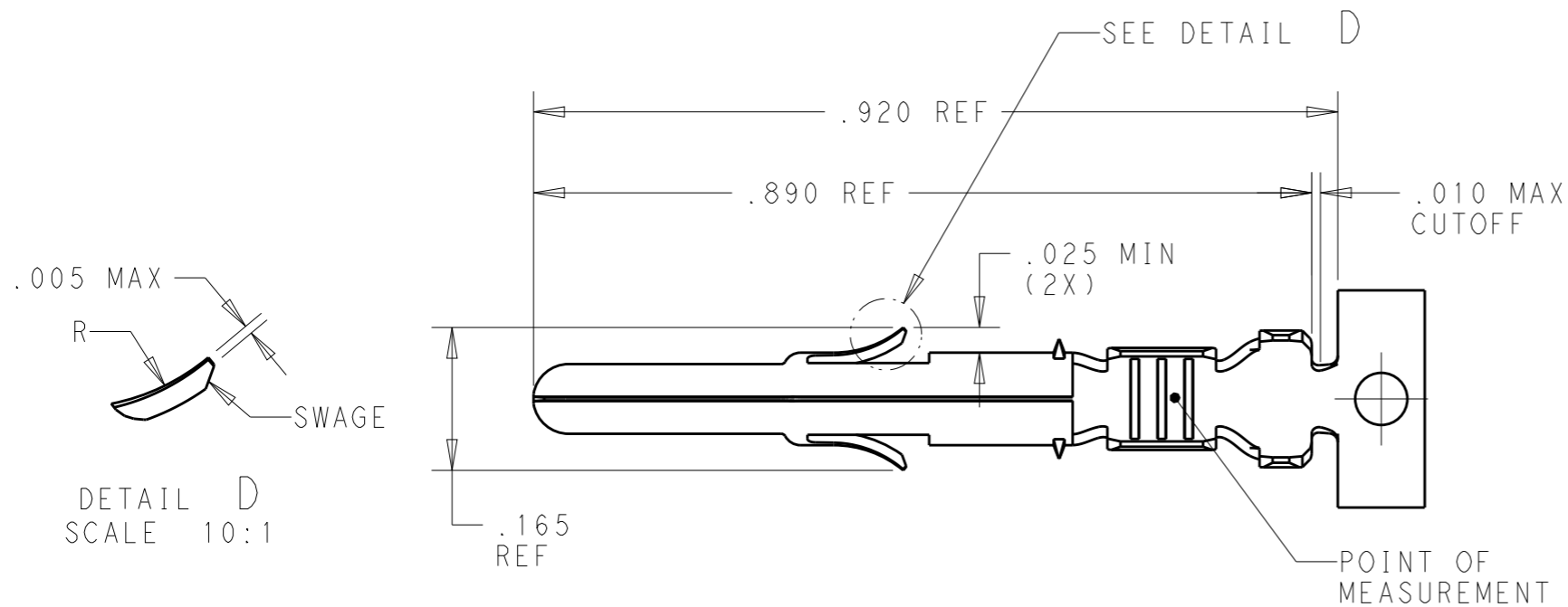


THIS DRAWING IS UNPUBLISHED. RELEASED FOR PUBLICATION 2018
© COPYRIGHT 2018 BY - ALL RIGHTS RESERVED.

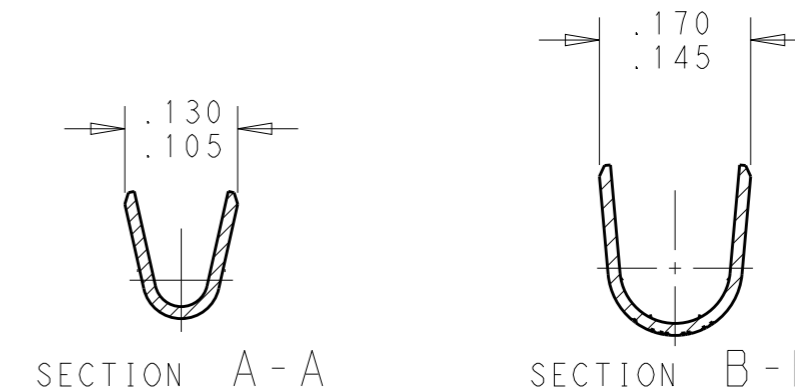
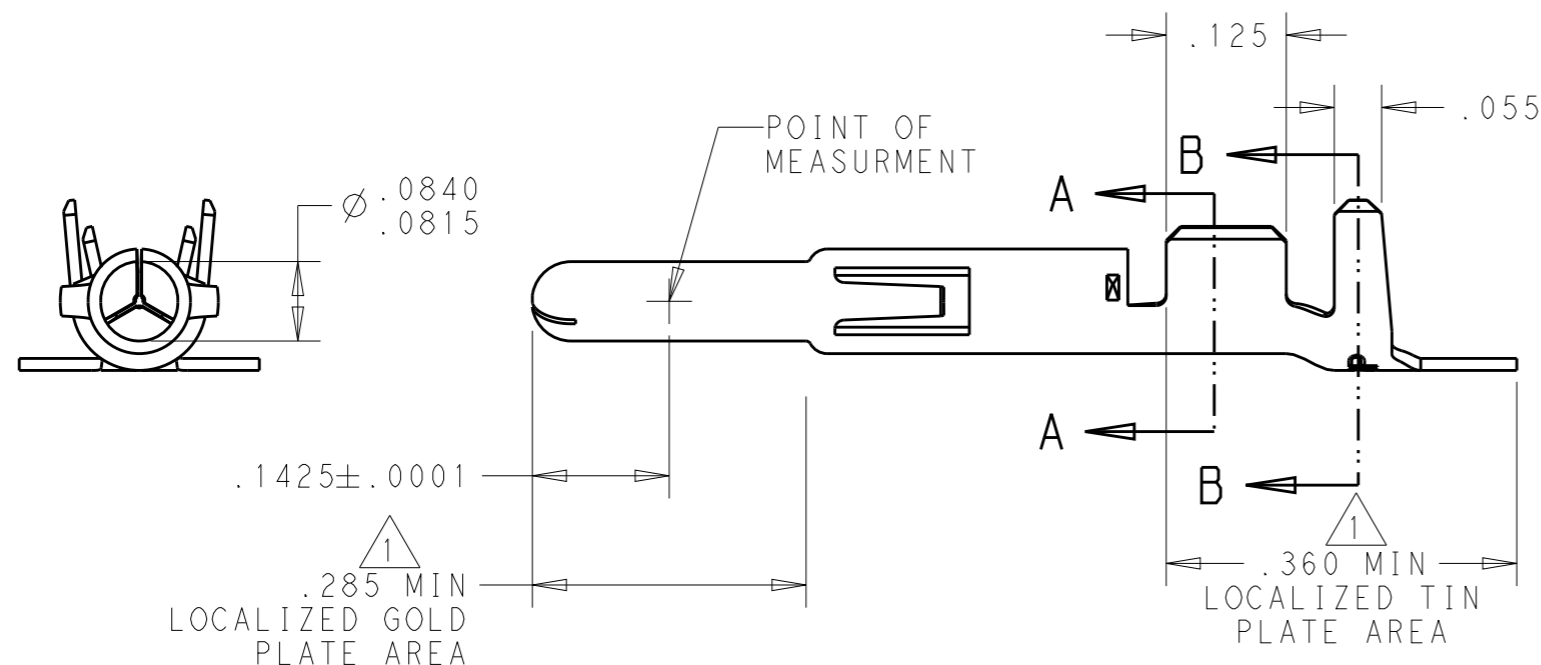
REVISIONS

| P | LTR | DESCRIPTION | DATE | DWN | APVD |
|---|-----|---------------------------|-----------|-----|------|
| | R | REVISED PER ECO-19-006989 | 15MAY2019 | BKW | CY |
| | R1 | REVISED PER ECO-19-009144 | 17JUN2019 | BKW | SF |
| | R2 | REVISED PER ECO-19-011413 | 24JUL2019 | BKW | SF |



- 1 .000030 MIN GOLD AT POINT OF MEASUREMENT IN GOLD PLATE AREA; .000030 MIN TIN IN TIN PLATE AREA; .000050 NICKEL UNDERPLATE ON ENTIRE CONTACT
- 2 INSULATION RANGE: .060-.130 DIAMETER

DETAIL D SCALE 10:1



| | | | |
|-------------------|---------|------------|-------------|
| - | 1 | .012 BRASS | 350654-7 |
| 350669-1 | PER-TIN | .012 BRASS | 350654-1 |
| LOOSE PIECE (REF) | FINISH | MATERIAL | PART NUMBER |

THIS DRAWING IS A CONTROLLED DOCUMENT.

| DIMENSIONS: | TOLERANCES UNLESS OTHERWISE SPECIFIED: |
|-------------|----------------------------------------|
| IN | |
| | 0 PLC ±- |
| | 1 PLC ±- |
| | 2 PLC ±- |
| | 3 PLC ±.015 |
| | 4 PLC ±- |
| | ANGLES ±- |
| MATERIAL | FINISH |
| - | - |
| - | - |

| |
|-----------------------|
| INSULATION RANGE: 2 |
| WIRE RANGE: 20-14 AWG |

| | | |
|------------------|--------------|-----------|
| DWN | B. WEAVER | 17SEP2018 |
| CHK | S. FERNANDES | 17SEP2018 |
| APVD | S. FERNANDES | 17SEP2018 |
| PRODUCT SPEC | 108-1031 | |
| APPLICATION SPEC | 114-1010 | |
| WEIGHT | - | |
| CUSTOMER DRAWING | | |

| | | | |
|-------------------------------------------------|-----------|--------------|---------------|
| STE TE Connectivity | | | |
| NAME PIN, GROUNDING, UNIVERSAL MATE-N-LOK | | | |
| SIZE | CAGE CODE | DRAWING NO | RESTRICTED TO |
| A3 | 00779 | C-350654 | - |
| SCALE 5:1 | | SHEET 1 OF 1 | REV R2 |

X-ON Electronics

Largest Supplier of Electrical and Electronic Components

Click to view similar products for [Pin & Socket Connectors](#) category:

Click to view products by [TE Connectivity](#) manufacturer:

Other Similar products are found below :

[6450822-1](#) [770392-1](#) [794042-1](#) [796885-1](#) [8-794535-1](#) [PLR3455ACS-222](#) [R929991004](#) [R929993003](#) [1403611-1](#) [1-480349-5](#) [152302-5](#)
[153211-2](#) [1586092-1](#) [1586129-1](#) [1586681-4](#) [1586700-1](#) [1586368-1](#) [1586380-1](#) [1586616-1](#) [1586680-5](#) [16-06-0038](#) [164164-5](#) [1-6609930-1](#)
[172296-1](#) [19-09-2035](#) [200503-1](#) [200788-2](#) [2029090-4](#) [2029095-4](#) [925061-7](#) [293734-4](#) [293737-2](#) [1-765362-4](#) [1871534-1](#) [200833-4](#)
[2008625-2](#) [2029027-2](#) [2029096-4](#) [R929991000](#) [R929991002](#) [R929993000](#) [319-10-101-00-005000](#) [319-10-102-00-001000](#) [319-10-104-00-001000](#) [319-10-105-00-001000](#) [319-10-108-00-001000](#) [319-10-112-00-006000](#) [39-01-8019](#) [319-10-101-00-001000](#) [319-10-102-00-005000](#)