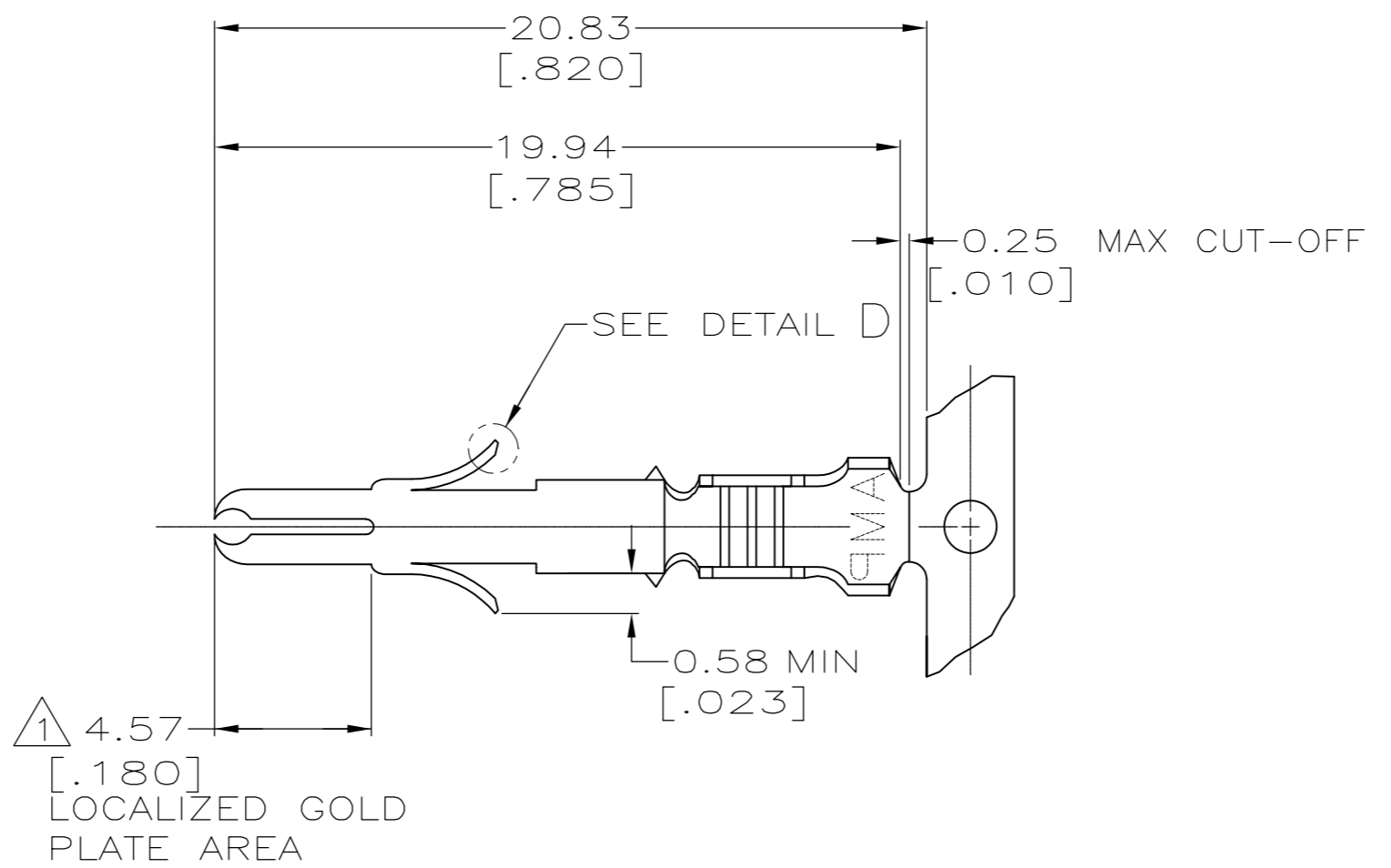
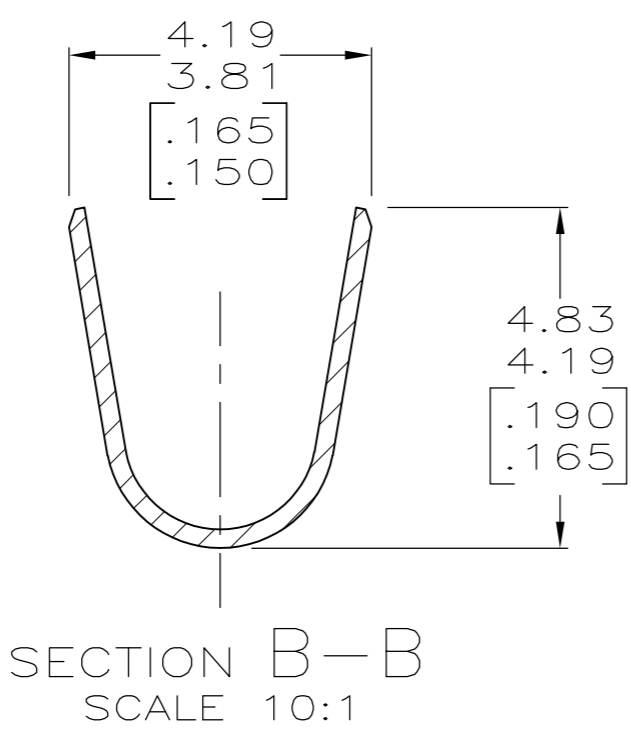
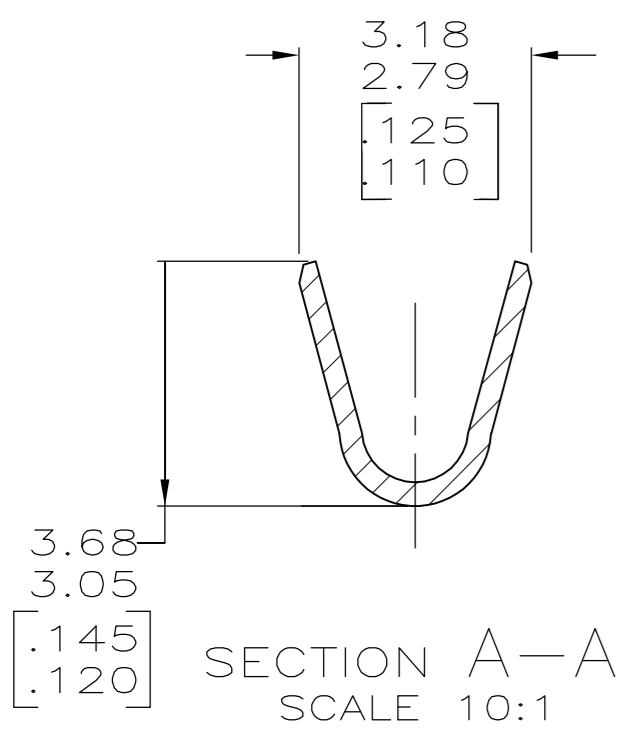
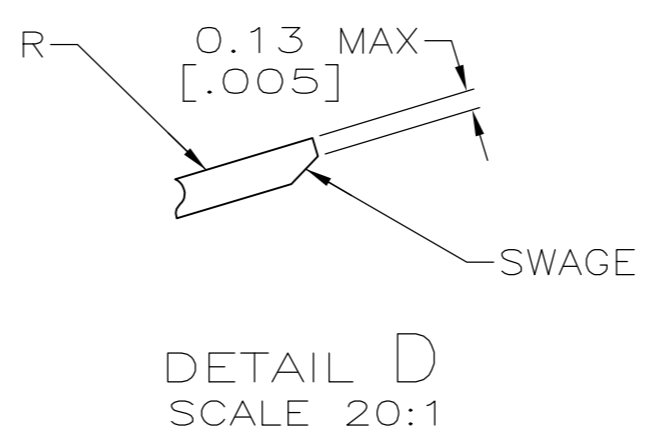
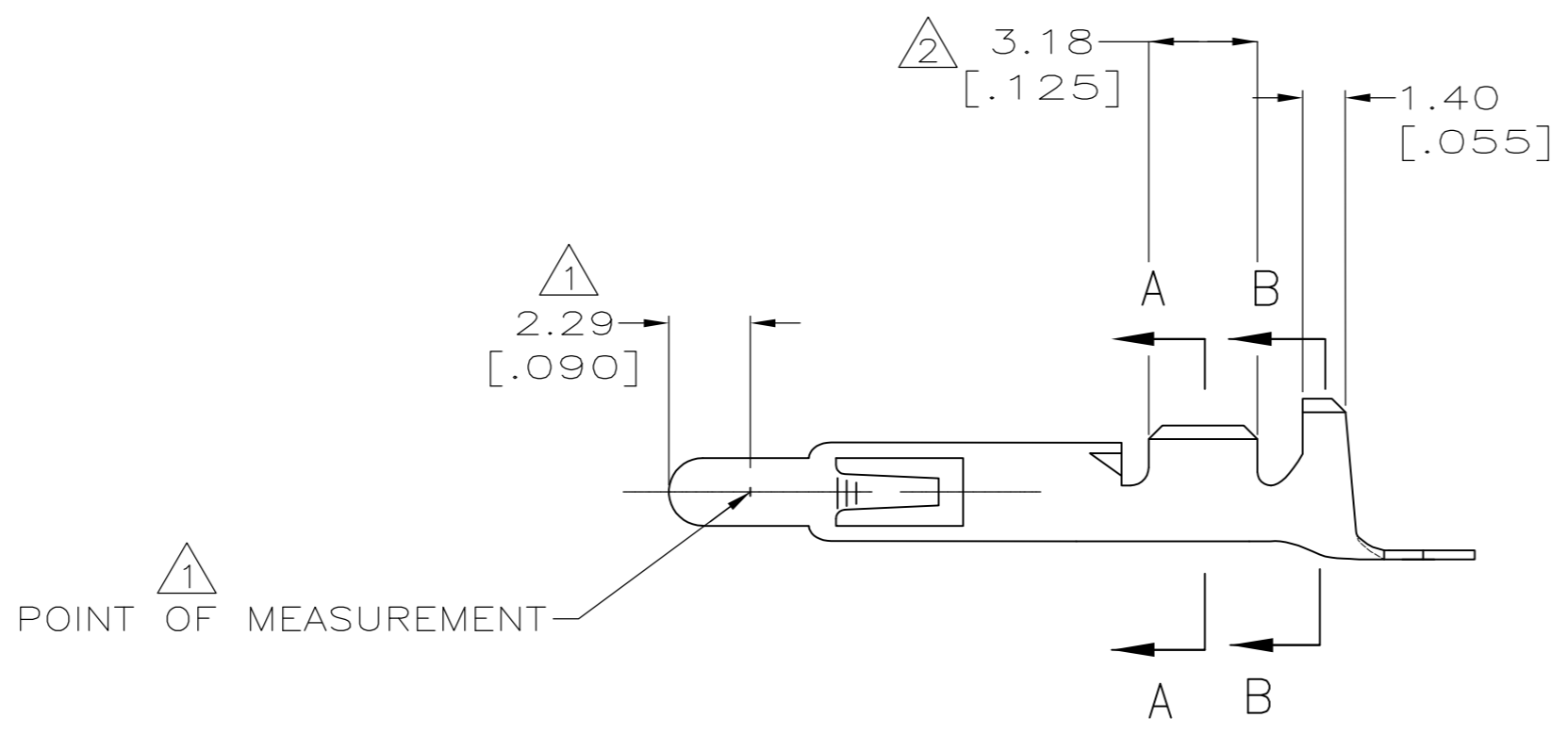
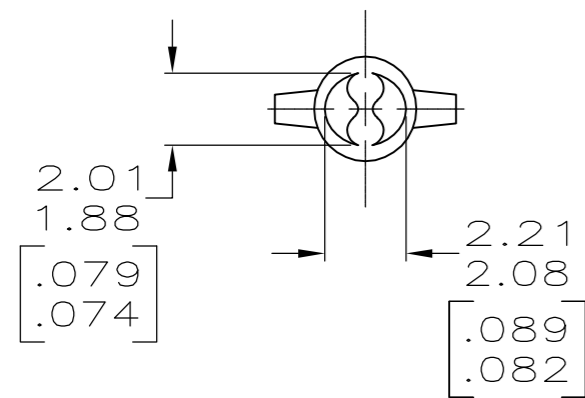


THIS DRAWING IS UNPUBLISHED. RELEASED FOR PUBLICATION  
 © COPYRIGHT - By - ALL RIGHTS RESERVED.

LOC	DIST	REVISIONS					
CM	53	P	LTR	DESCRIPTION	DATE	DWN	APVD
		AA		REVISED PER ECR-16-002894	24MAR2016	BW	EW



- 1 PLATED WITH 0.00076 [.000030] GOLD, OVER 0.00127 [.000050] NICKEL UNDERPLATE.
- 2 PLATED INTERNALLY WITH 0.00076 [.000030] GOLD.
- 3 DIMENSIONS IN BRACKETS ARE IN INCHES.
- 4 PRELIMINARY, NOT FOR PRODUCTION.
- 5 INSULATION RANGE: 1.52-3.30 [.060-.130] DIA.



LOOSE PIECE (REF)	MATERIAL	FINISH	PART NUMBER
4 -	0.31 [.012] BE CU	PRE-TIN	350687-9
350705-7	0.31 [.012] BRASS	GOLD 1	350687-7
4 -	0.31 [.012] PH BRZ	GOLD 1	350687-5
350705-2	0.31 [.012] BRASS	GOLD 1 2	350687-2
350705-1	0.31 [.012] BRASS	PRE-TIN	350687-1

THIS DRAWING IS A CONTROLLED DOCUMENT.

DIMENSIONS: mm [INCHES]	TOLERANCES UNLESS OTHERWISE SPECIFIED:	DWN: K. WHITAKER 12-MAY-2000	TE Connectivity PIN, UNIVERSAL MATE-N-LOK™
		CHK: K. COBLE 12-MAY-2000	
		APVD: K. COBLE 12-MAY-2000	
		PRODUCT SPEC	
		APPLICATION SPEC	SIZE: A2 CAGE CODE: 00779 DRAWING NO: C=350687 RESTRICTED TO: -
WIRE RANGE: 20-14 AWG	MATERIAL: - FINISH: -	WEIGHT: -	SCALE: 5:1 SHEET: 1 of 1 REV: AA

## X-ON Electronics

Largest Supplier of Electrical and Electronic Components

*Click to view similar products for [Pin & Socket Connectors](#) category:*

*Click to view products by [TE Connectivity](#) manufacturer:*

Other Similar products are found below :

[6450822-1](#) [770392-1](#) [794042-1](#) [796885-1](#) [8-794535-1](#) [PLR3455ACS-222](#) [R929991004](#) [R929993003](#) [1403611-1](#) [1-480349-5](#) [152302-5](#)  
[153211-2](#) [1586092-1](#) [1586129-1](#) [1586681-4](#) [1586700-1](#) [1586368-1](#) [1586380-1](#) [1586616-1](#) [1586680-5](#) [16-06-0038](#) [164164-5](#) [1-6609930-1](#)  
[172296-1](#) [19-09-2035](#) [200503-1](#) [200788-2](#) [2029090-4](#) [2029095-4](#) [925061-7](#) [293734-4](#) [293737-2](#) [1-765362-4](#) [1871534-1](#) [200833-4](#)  
[2008625-2](#) [2029027-2](#) [2029096-4](#) [R929991000](#) [R929991002](#) [R929993000](#) [319-10-101-00-005000](#) [319-10-102-00-001000](#) [319-10-104-00-001000](#) [319-10-105-00-001000](#) [319-10-108-00-001000](#) [319-10-112-00-006000](#) [39-01-8019](#) [319-10-101-00-001000](#) [319-10-102-00-005000](#)