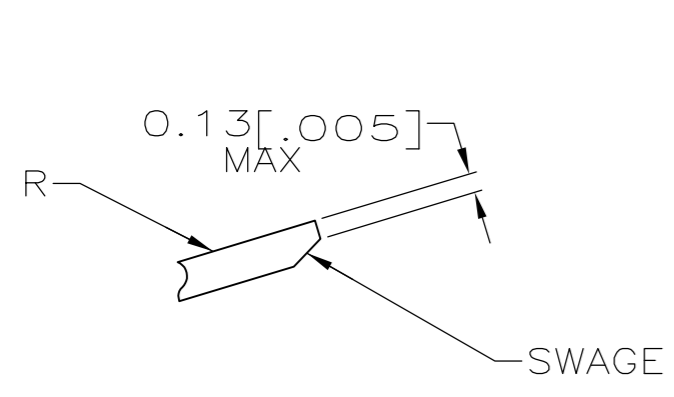
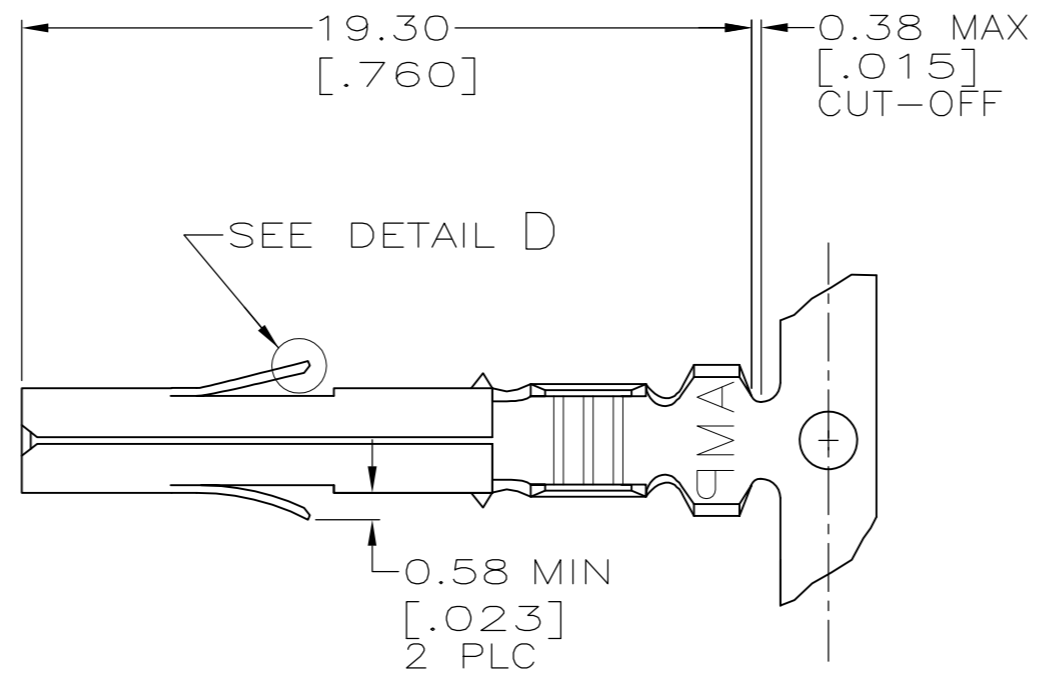


THIS DRAWING IS UNPUBLISHED. RELEASED FOR PUBLICATION
 © COPYRIGHT - By - ALL RIGHTS RESERVED.

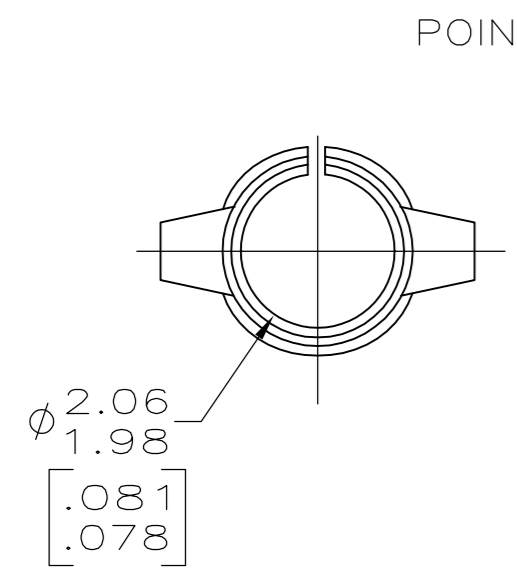
LOC		DIST		REVISIONS			
P	LTR	DESCRIPTION	DATE	DWN	APVD		
CM	00	S	REVISED PER ECR-12-013323	09AUG12	KH	TM	



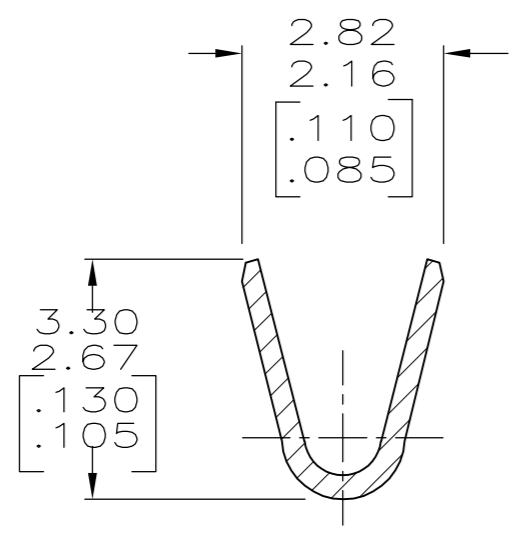
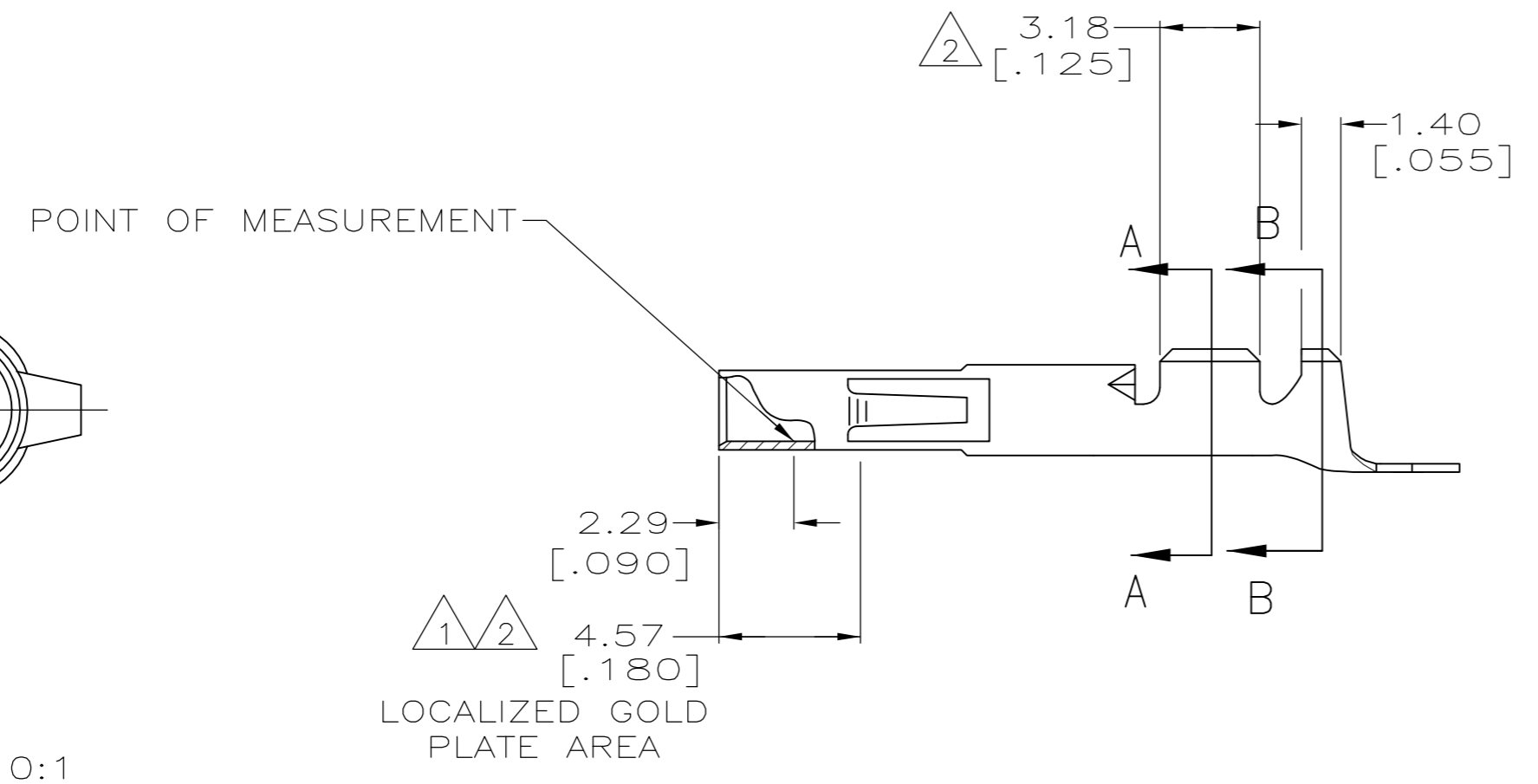
DETAIL D
SCALE 20:1



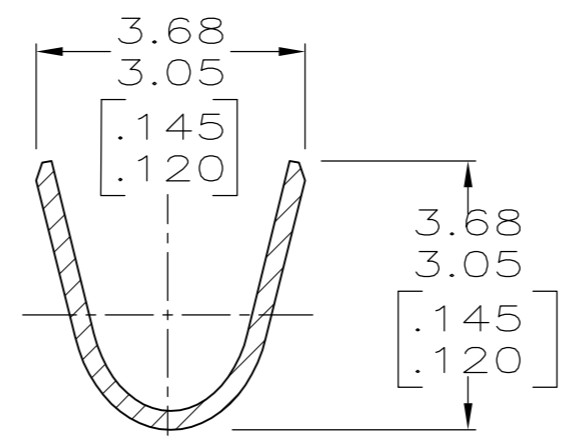
- 1 0.00076 [.000030] THICK GOLD OVER NICKEL ON INSIDE OF RECEPTACLE; REMAINDER OF CONTACT IS NICKEL PLATED.
- 2 0.00076 [.000030] THICK GOLD OVER NICKEL ON INSIDE OF RECEPTACLE AND WIRE BARREL; REMAINDER OF CONTACT IS NICKEL PLATED.
- 3 NOT MANUFACTURED UN USA.
- 4 DIMENSIONS IN BRACKETS ARE IN INCHES.
- 5 WIRE RANGE: 24-18 AWG
- 6 INSULATION RANGE: 1.02-2.54 [.040-.100] DIA.



SCALE 10:1



SECTION A-A
SCALE 10:1



SECTION B-B
SCALE 10:1

MATERIAL	FINISH	PART NUMBER
0.25 [.010] BRASS	GOLD 1	350689-7
0.25 [.010] PH BRZ	GOLD 1 3	350689-6
0.25 [.010] PH BRZ	PRE-TIN	350689-3
0.25 [.010] BRASS	GOLD 2	350689-2
0.25 [.010] BRASS	PRE-TIN	350689-1

THIS DRAWING IS A CONTROLLED DOCUMENT.

DWN K. WHITAKER 13-JAN-04	TE Connectivity SOCKET, (LOOSE PIECE) UNIVERSAL MATE-N-LOK™
CHK S. RIDGILL 13-JAN-04	
APVD S. RIDGILL 13-JAN-04	
PRODUCT SPEC	
APPLICATION SPEC	SIZE A2
MATERIAL	CAGE CODE 00779
FINISH	DRAWING NO C=350689
	RESTRICTED TO
	SCALE 5:1
	SHEET 1 of 1
	REV S

CUSTOMER DRAWING

X-ON Electronics

Largest Supplier of Electrical and Electronic Components

Click to view similar products for [Pin & Socket Connectors](#) category:

Click to view products by [TE Connectivity](#) manufacturer:

Other Similar products are found below :

[6450822-1](#) [770392-1](#) [794042-1](#) [796885-1](#) [8-794535-1](#) [PLR3455ACS-222](#) [R929991004](#) [R929993003](#) [1403611-1](#) [1-480349-5](#) [152302-5](#)
[153211-2](#) [1586092-1](#) [1586129-1](#) [1586681-4](#) [1586700-1](#) [1586368-1](#) [1586380-1](#) [1586616-1](#) [1586680-5](#) [16-06-0038](#) [164164-5](#) [1-6609930-1](#)
[172296-1](#) [19-09-2035](#) [200503-1](#) [200788-2](#) [2029090-4](#) [2029095-4](#) [925061-7](#) [293734-4](#) [293737-2](#) [1-765362-4](#) [1-794606-3](#) [1871534-1](#)
[200833-4](#) [2008625-2](#) [2029027-2](#) [2029096-4](#) [R929991000](#) [R929991002](#) [R929993000](#) [319-10-101-00-005000](#) [319-10-102-00-001000](#)
[319-10-104-00-001000](#) [319-10-105-00-001000](#) [319-10-108-00-001000](#) [319-10-112-00-006000](#) [39-01-8019](#) [319-10-101-00-001000](#)