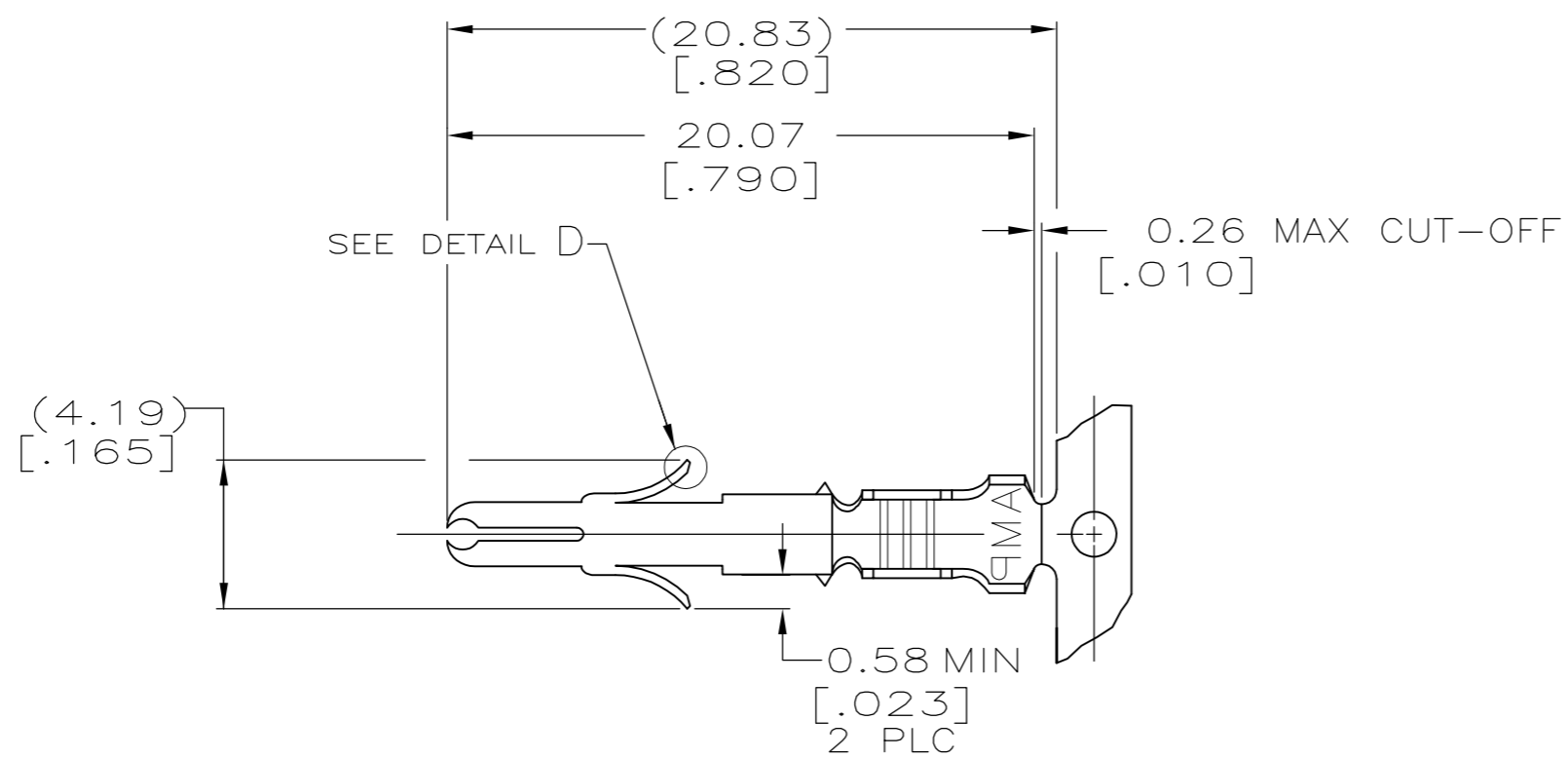
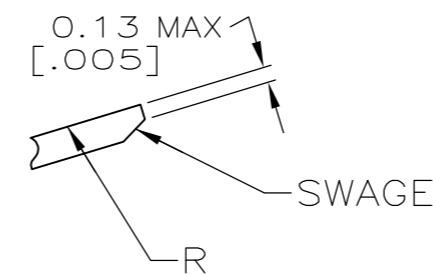
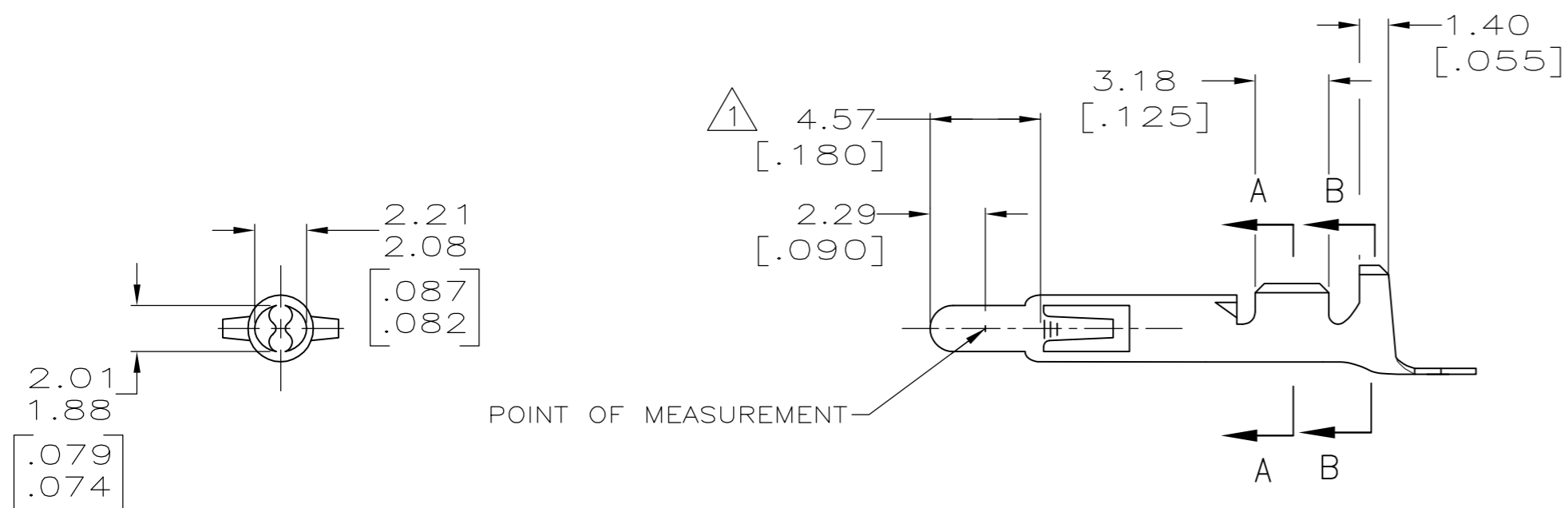


THIS DRAWING IS UNPUBLISHED. RELEASED FOR PUBLICATION
 © COPYRIGHT - By - ALL RIGHTS RESERVED.

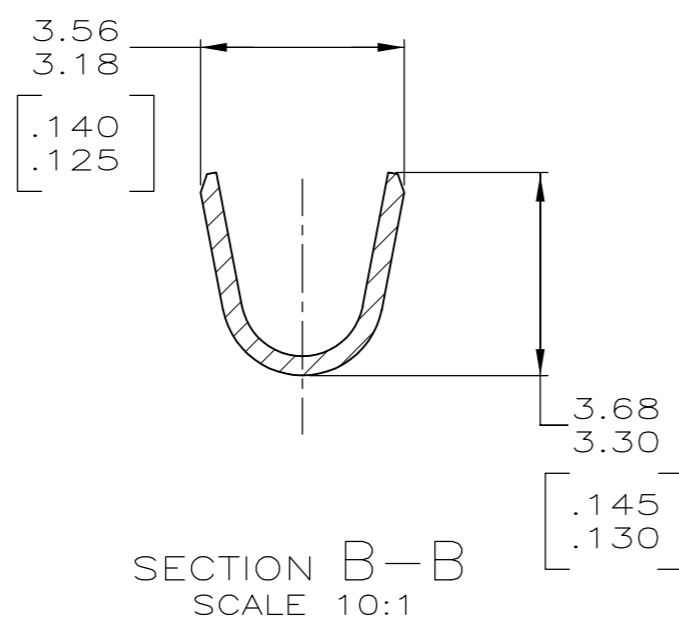
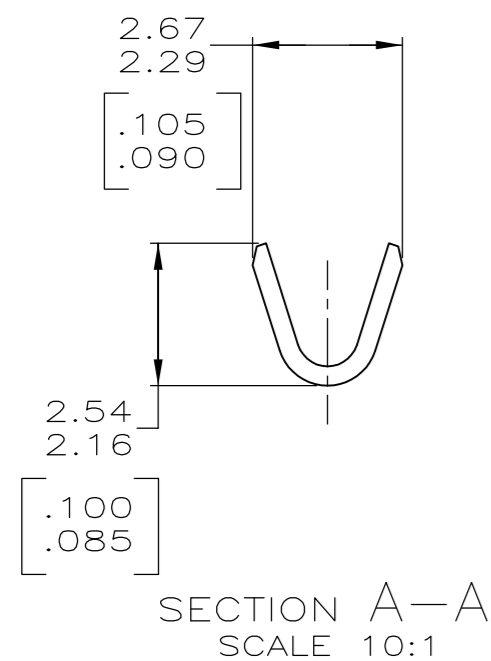
LOC	DIST	REVISIONS					
CM	00	P	LTR	DESCRIPTION	DATE	DWN	APVD
		AB		REVISED PER ECR-12-013323	09AUG12	KH	TM



- 1 PLATED WITH 0.00076 [.000030] GOLD, OVER 0.00127 [.000050] NICKEL UNDERPLATE.
- 2 PLATED INTERNALLY WITH 0.00076 [.000030] GOLD.
- 3 WIRE RANGE 0.2-0.75 mm² (24-18 AWG).
- 4 INSULATION RANGE 1.02-2.54 [.040 -.100] DIA.



DETAIL A
SCALE 20:1



350706-7	0.30[.012] BRASS	GOLD 1	350699-7
-	0.30[.012] PH BRZ	PRE-TIN	350699-3
350706-2	0.30[.012] BRASS	GOLD 1 2	350699-2
350706-1	0.30[.012] BRASS	PRE-TIN	350699-1
LOOSE PIECE (REF)	MATERIAL	FINISH	PART NUMBER

THIS DRAWING IS A CONTROLLED DOCUMENT.		DWN K. WHITAKER 25-FEB-2002	STE TE Connectivity		
DIMENSIONS: mm [INCHES]		CHK S. RIDGILL 25-FEB-2002			
TOLERANCES UNLESS OTHERWISE SPECIFIED:		APVD S. RIDGILL 25-FEB-2002	NAME SPLIT PIN, UNIVERSAL MATE-N-LOK™		
0 PLC ± - 1 PLC ± - 2 PLC ± 0.25[.010] 3 PLC ± - 4 PLC ± - ANGLES ± -		PRODUCT SPEC APPLICATION SPEC	SIZE A2	CAGE CODE 00779	DRAWING NO C=350699
MATERIAL SEE TABLE	FINISH SEE TABLE	WEIGHT -	RESTRICTED TO -	SCALE 4:1	SHEET 1 OF 1
CUSTOMER DRAWING			REV AB		

X-ON Electronics

Largest Supplier of Electrical and Electronic Components

Click to view similar products for [Pin & Socket Connectors](#) category:

Click to view products by [TE Connectivity](#) manufacturer:

Other Similar products are found below :

[6450822-1](#) [770392-1](#) [794042-1](#) [796885-1](#) [8-794535-1](#) [PLR3455ACS-222](#) [R929991004](#) [R929993003](#) [1403611-1](#) [1-480349-5](#) [152302-5](#)
[153211-2](#) [1586092-1](#) [1586129-1](#) [1586681-4](#) [1586700-1](#) [1586368-1](#) [1586380-1](#) [1586616-1](#) [1586680-5](#) [16-06-0038](#) [164164-5](#) [1-6609930-1](#)
[172296-1](#) [19-09-2035](#) [200503-1](#) [200788-2](#) [2029090-4](#) [2029095-4](#) [925061-7](#) [293734-4](#) [293737-2](#) [1-765362-4](#) [1-794606-3](#) [1871534-1](#)
[200833-4](#) [2008625-2](#) [2029027-2](#) [2029096-4](#) [R929991000](#) [R929991002](#) [R929993000](#) [319-10-101-00-005000](#) [319-10-102-00-001000](#)
[319-10-104-00-001000](#) [319-10-105-00-001000](#) [319-10-108-00-001000](#) [319-10-112-00-006000](#) [39-01-8019](#) [319-10-101-00-001000](#)