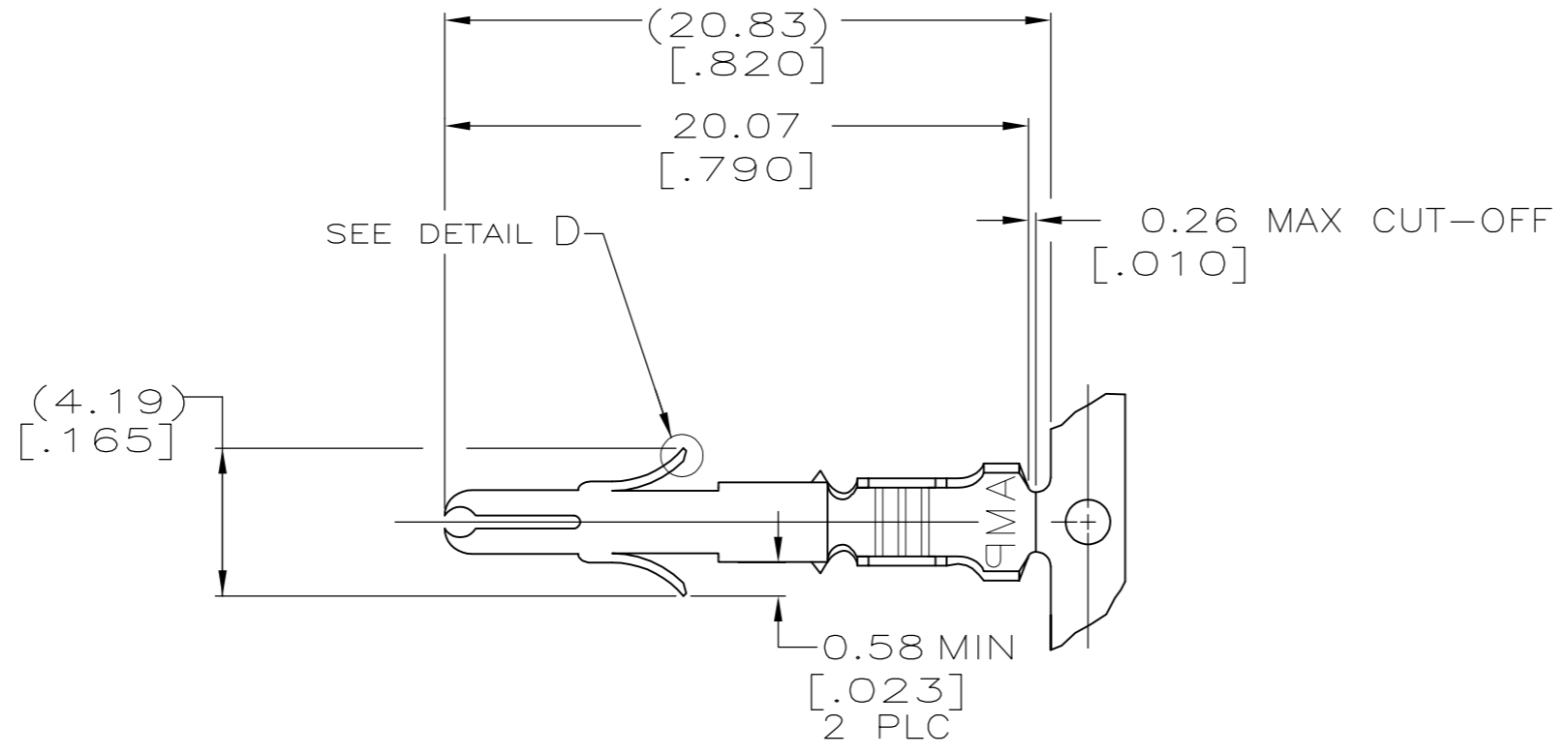
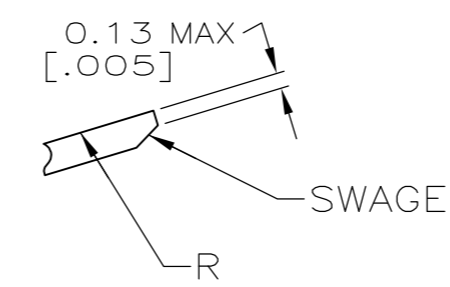
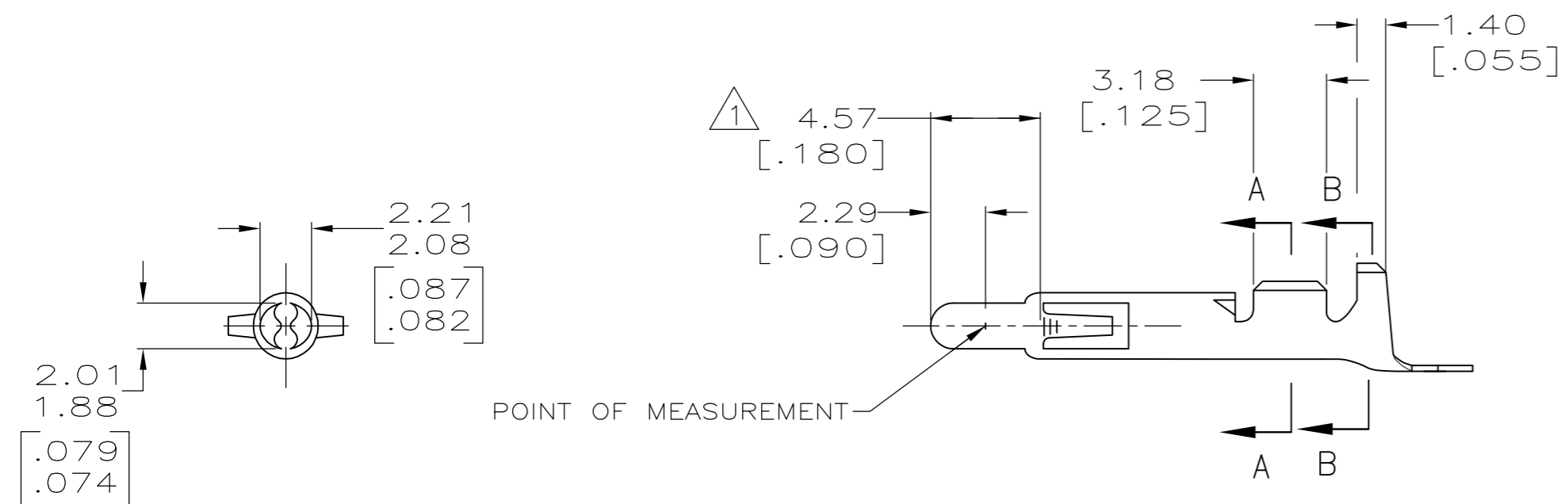


THIS DRAWING IS UNPUBLISHED. RELEASED FOR PUBLICATION  
 © COPYRIGHT - By - ALL RIGHTS RESERVED.

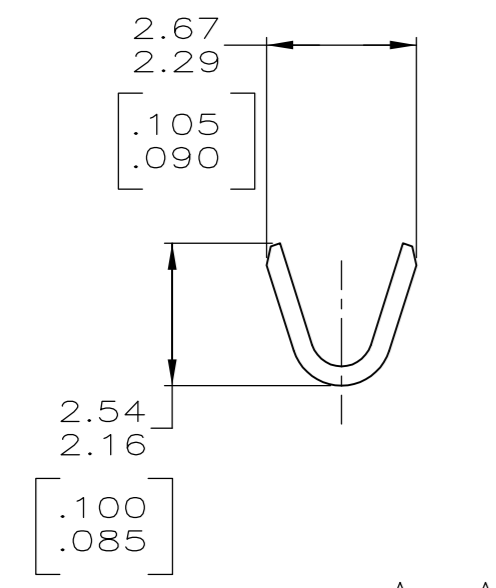
| LOC | DIST | REVISIONS |     |                           |         |     |      |
|-----|------|-----------|-----|---------------------------|---------|-----|------|
| CM  | 00   | P         | LTR | DESCRIPTION               | DATE    | DWN | APVD |
|     |      | AB        |     | REVISED PER ECR-12-013323 | 09AUG12 | KH  | TM   |



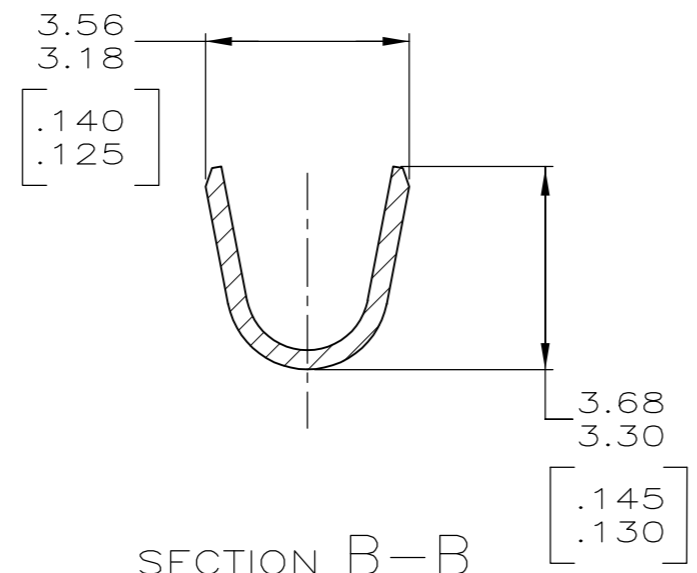
- 1 PLATED WITH 0.00076 [.000030] GOLD, OVER 0.00127 [.000050] NICKEL UNDERPLATE.
- 2 PLATED INTERNALLY WITH 0.00076 [.000030] GOLD.
- 3 WIRE RANGE 0.2-0.75 mm<sup>2</sup> (24-18 AWG).
- 4 INSULATION RANGE 1.02-2.54 [.040 -.100] DIA.



DETAIL A  
SCALE 20:1



SECTION A-A  
SCALE 10:1



SECTION B-B  
SCALE 10:1

|                   |                   |          |             |
|-------------------|-------------------|----------|-------------|
| 350706-7          | 0.30[.012] BRASS  | GOLD 1   | 350699-7    |
| -                 | 0.30[.012] PH BRZ | PRE-TIN  | 350699-3    |
| 350706-2          | 0.30[.012] BRASS  | GOLD 1 2 | 350699-2    |
| 350706-1          | 0.30[.012] BRASS  | PRE-TIN  | 350699-1    |
| LOOSE PIECE (REF) | MATERIAL          | FINISH   | PART NUMBER |

|   |   |                                   |   |                    |       |   |   |       |   |            |       |   |   |       |   |   |        |   |   |                   |            |  |
|---|---|-----------------------------------|---|--------------------|-------|---|---|-------|---|------------|-------|---|---|-------|---|---|--------|---|---|-------------------|------------|--|
| THIS DRAWING IS A CONTROLLED DOCUMENT.  |   | DWN<br>K. WHITAKER<br>25-FEB-2002 | TE Connectivity                             |                    |       |   |   |       |   |            |       |   |   |       |   |   |        |   |   |                   |            |  |
| DIMENSIONS:<br>mm [INCHES]  |   | CHK<br>S. RIDGILL<br>25-FEB-2002  |   |                    |       |   |   |       |   |            |       |   |   |       |   |   |        |   |   |                   |            |  |
| TOLERANCES UNLESS OTHERWISE SPECIFIED:  |   | APVD<br>S. RIDGILL<br>25-FEB-2002 | NAME<br>SPLIT PIN,<br>UNIVERSAL MATE-N-LOK™ |                    |       |   |   |       |   |            |       |   |   |       |   |   |        |   |   |                   |            |  |
| <table border="1"> <tr><td>0 PLC</td><td>±</td><td>-</td></tr> <tr><td>1 PLC</td><td>±</td><td>-</td></tr> <tr><td>2 PLC</td><td>±</td><td>0.25[.010]</td></tr> <tr><td>3 PLC</td><td>±</td><td>-</td></tr> <tr><td>4 PLC</td><td>±</td><td>-</td></tr> <tr><td>ANGLES</td><td>±</td><td>-</td></tr> </table> |   | 0 PLC                             | ±   | -                  | 1 PLC | ± | - | 2 PLC | ± | 0.25[.010] | 3 PLC | ± | - | 4 PLC | ± | - | ANGLES | ± | - | PRODUCT SPEC<br>- | SIZE<br>A2 |  |
| 0 PLC   | ± | -                                 |   |                    |       |   |   |       |   |            |       |   |   |       |   |   |        |   |   |                   |            |  |
| 1 PLC   | ± | -                                 |   |                    |       |   |   |       |   |            |       |   |   |       |   |   |        |   |   |                   |            |  |
| 2 PLC   | ± | 0.25[.010]                        |   |                    |       |   |   |       |   |            |       |   |   |       |   |   |        |   |   |                   |            |  |
| 3 PLC   | ± | -                                 |   |                    |       |   |   |       |   |            |       |   |   |       |   |   |        |   |   |                   |            |  |
| 4 PLC   | ± | -                                 |   |                    |       |   |   |       |   |            |       |   |   |       |   |   |        |   |   |                   |            |  |
| ANGLES  | ± | -                                 |   |                    |       |   |   |       |   |            |       |   |   |       |   |   |        |   |   |                   |            |  |
| MATERIAL<br>SEE TABLE   |   | APPLICATION SPEC<br>-             | CAGE CODE<br>00779                          |                    |       |   |   |       |   |            |       |   |   |       |   |   |        |   |   |                   |            |  |
| FINISH<br>SEE TABLE   |   | WEIGHT<br>-                       | DRAWING NO<br>C=350699                      |                    |       |   |   |       |   |            |       |   |   |       |   |   |        |   |   |                   |            |  |
|   |   | CUSTOMER DRAWING                  |   | RESTRICTED TO<br>- |       |   |   |       |   |            |       |   |   |       |   |   |        |   |   |                   |            |  |
|   |   | SCALE<br>4:1                      |   | SHEET<br>1 of 1    |       |   |   |       |   |            |       |   |   |       |   |   |        |   |   |                   |            |  |
|   |   |                                   |   | REV<br>AB          |       |   |   |       |   |            |       |   |   |       |   |   |        |   |   |                   |            |  |

## X-ON Electronics

Largest Supplier of Electrical and Electronic Components

*Click to view similar products for [Pin & Socket Connectors](#) category:*

*Click to view products by [TE Connectivity](#) manufacturer:*

Other Similar products are found below :

[6450822-1](#) [770392-1](#) [794042-1](#) [796885-1](#) [8-794535-1](#) [PLR3455ACS-222](#) [R929991004](#) [R929993003](#) [1403611-1](#) [1-480349-5](#) [152302-5](#)  
[153211-2](#) [1586092-1](#) [1586129-1](#) [1586681-4](#) [1586700-1](#) [1586368-1](#) [1586380-1](#) [1586616-1](#) [1586680-5](#) [16-06-0038](#) [164164-5](#) [1-6609930-1](#)  
[172296-1](#) [19-09-2035](#) [200503-1](#) [200788-2](#) [2029090-4](#) [2029095-4](#) [925061-7](#) [293734-4](#) [293737-2](#) [1-765362-4](#) [1871534-1](#) [200833-4](#)  
[2008625-2](#) [2029027-2](#) [2029096-4](#) [R929991000](#) [R929991002](#) [R929993000](#) [319-10-101-00-005000](#) [319-10-102-00-001000](#) [319-10-104-00-001000](#) [319-10-105-00-001000](#) [319-10-108-00-001000](#) [319-10-112-00-006000](#) [39-01-8019](#) [319-10-101-00-001000](#) [319-10-102-00-005000](#)