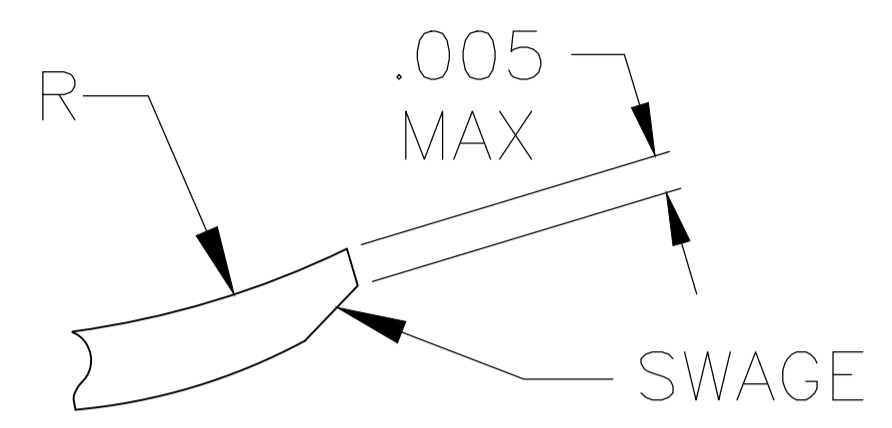
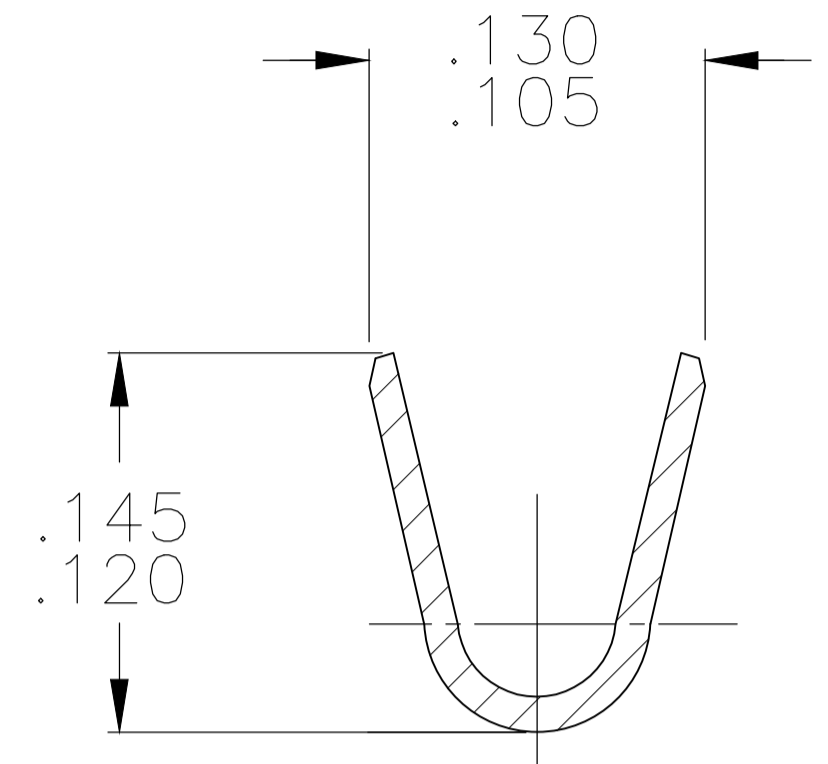
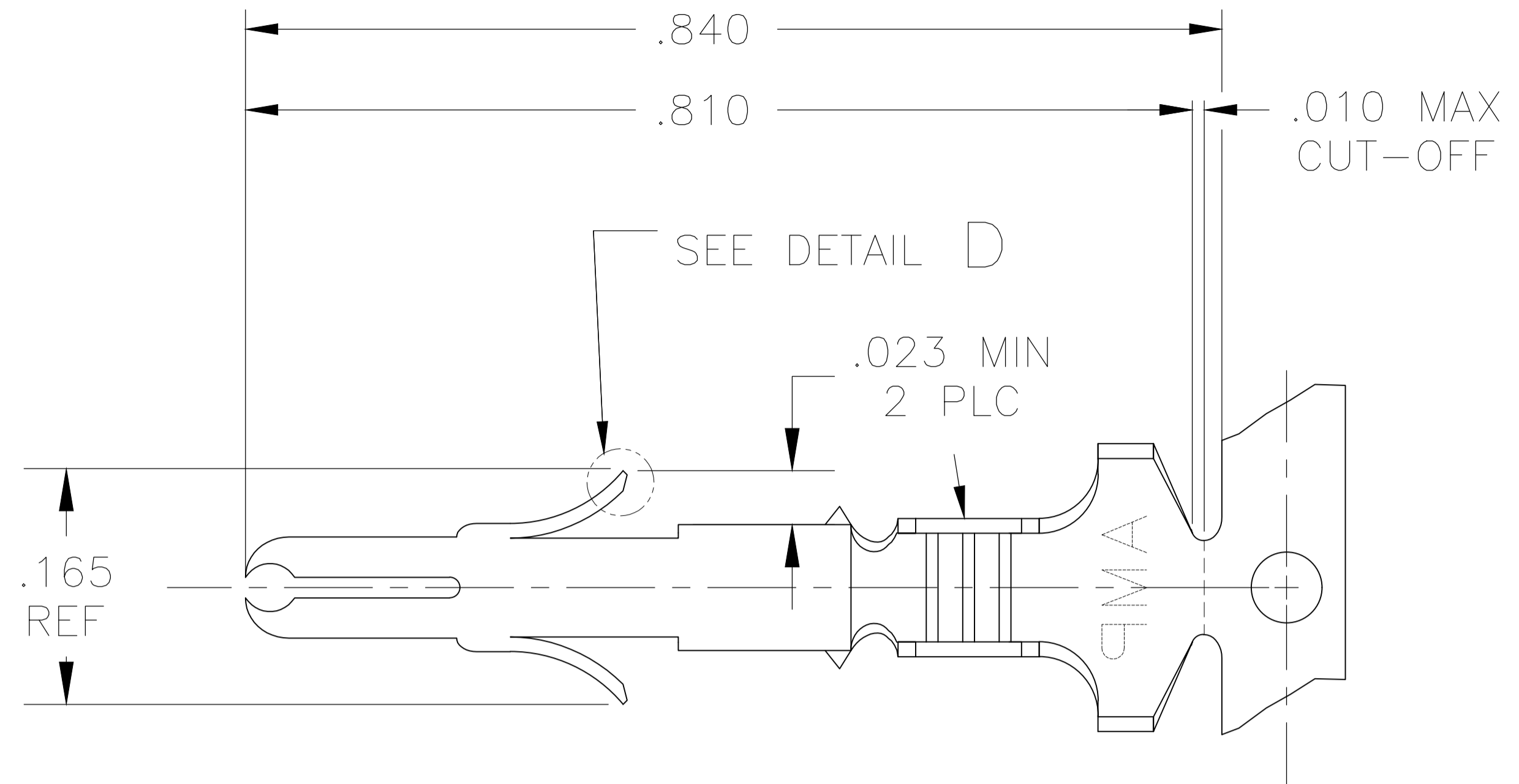


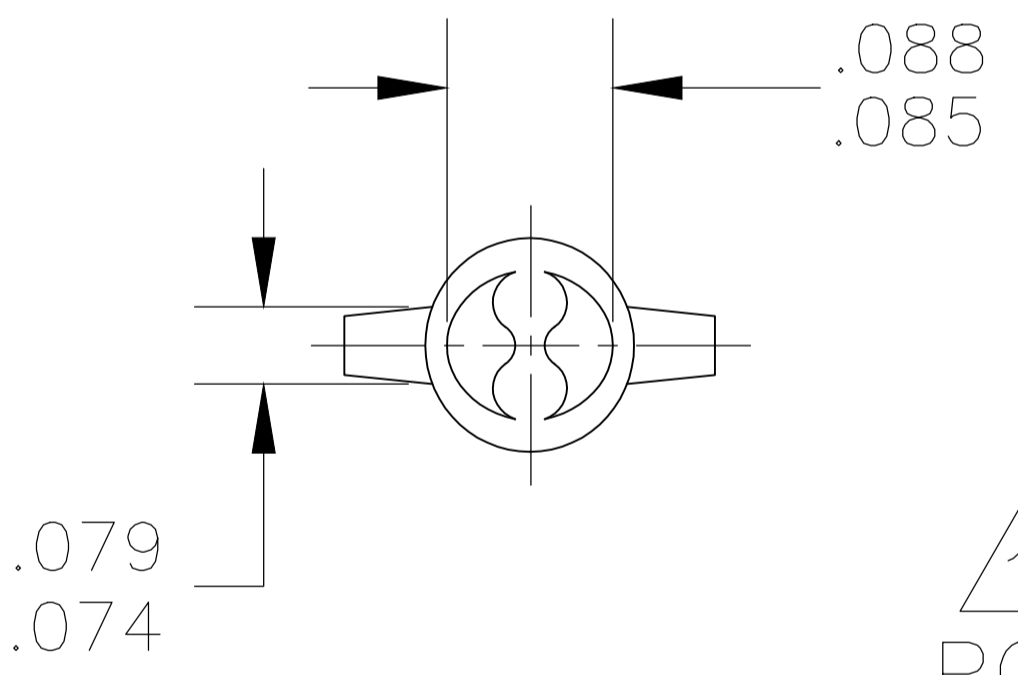
REVISIONS					
P	LTR	DESCRIPTION	DATE	DMN	APVD
Y3	REVISED PER	ECR-20-100287	03AUG2020	PC	JS



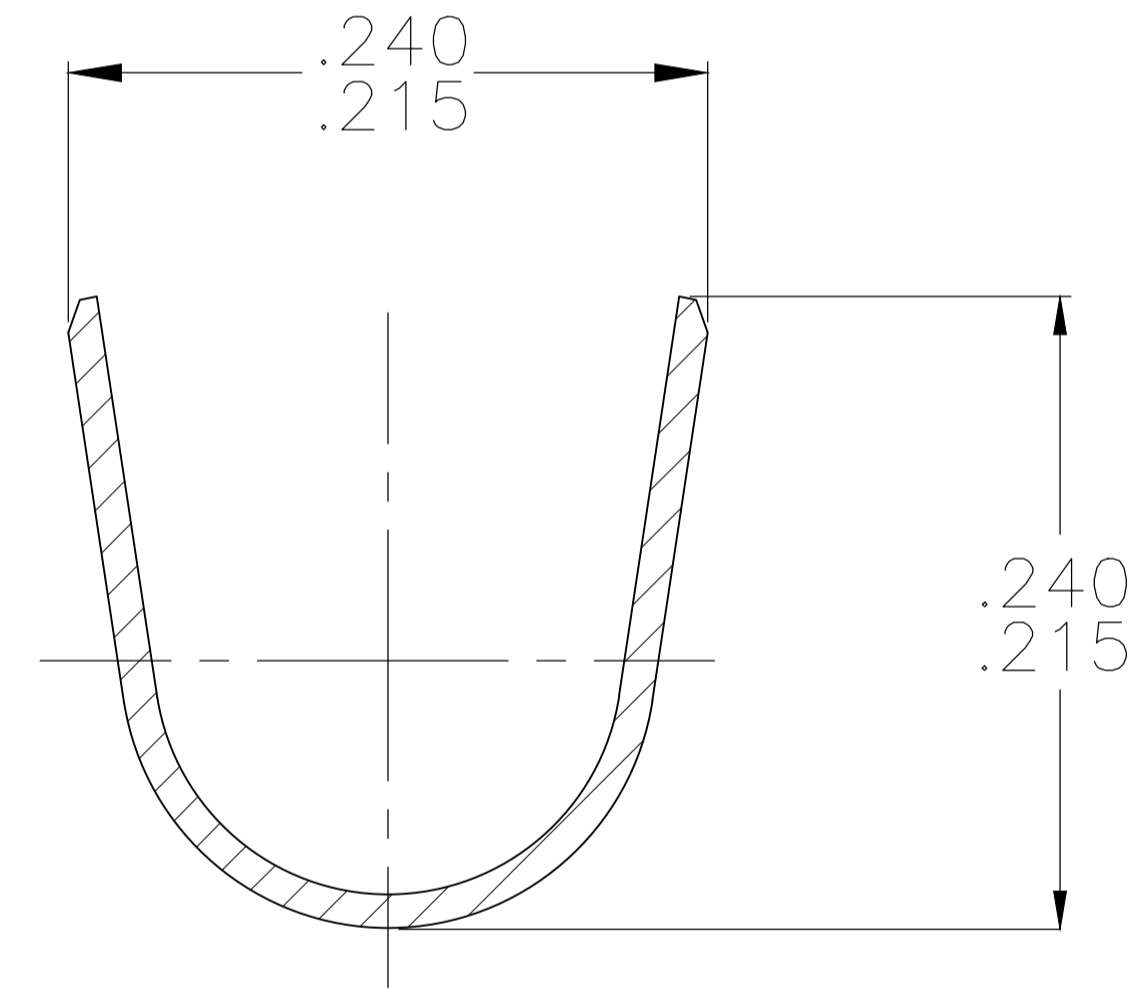
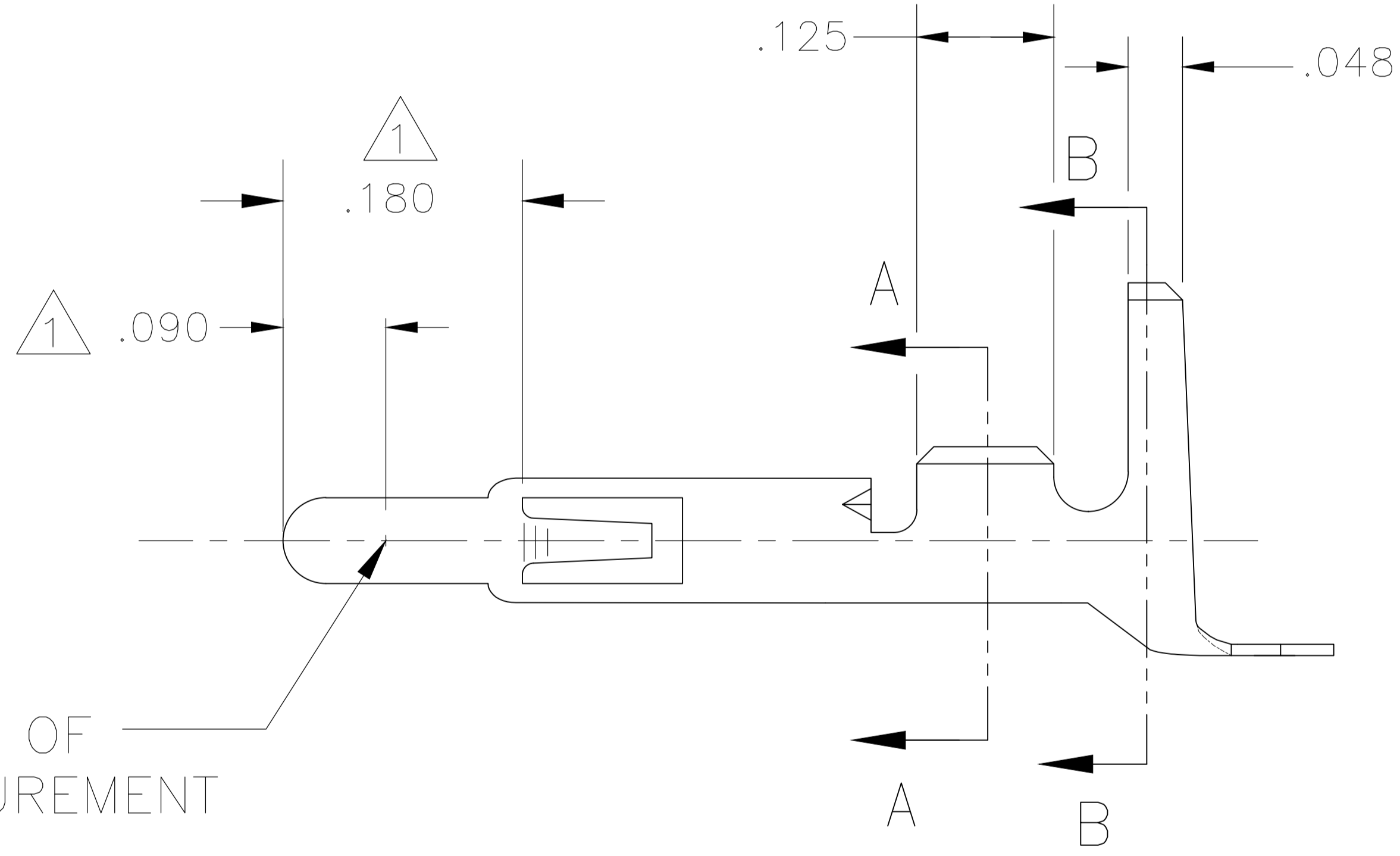
DETAIL D  
SCALE 20:1



SECTION A-A  
SCALE 10:1



POINT OF MEASUREMENT



SECTION B-B  
SCALE 10:1

- 1 PLATED WITH .000030 GOLD, OVER .000050 NICKEL UNDERPLATE.
- 2 GOLD OVER NICKEL ON ENTIRE STAMPING; .000030 GOLD MINIMUM AT POINT OF MEASUREMENT IN CONTACT AREA, GOLD FLASH MINIMUM IN WIRE BARREL.
- 3 INSULATION RANGE :  $\phi$ .130-.200

350707-7	.012 BRASS	GOLD 1	350700-7
-	.012 PH BR2	PRE-TIN	350700-3
350707-2	.012 BRASS	GOLD 2	350700-2
350707-1		PRE-TIN	350700-1
LOOSE PIECE (REF)	MATERIAL	FINISH	PART NUMBER

THIS DRAWING IS A CONTROLLED DOCUMENT.

DIMENSIONS: INCHES	TOLERANCES UNLESS OTHERWISE SPECIFIED:	APVD: WASVESH WARAD 31MAR2016	DMN: WICKES, EVAN 31MAR2016	NAME: WICKES, EVAN	DATE: 31MAR2016
0 PLC ± -	1 PLC ± -	2 PLC ± -	3 PLC ± .015	4 PLC ± -	ANGLES ± -
MATERIAL: -	FINISH: -	SIZE: 114-1010	WEIGHT: 0	APPLIC: 108-1031	RESTRICTED TO: -
CUSTOMER DRAWING		SCALE: 10:1	SHEET: 1 OF 2	REV: Y3	

STE TE Connectivity

SPLIT PIN, UNIVERSAL MATE-N-LOK

## X-ON Electronics

Largest Supplier of Electrical and Electronic Components

*Click to view similar products for [Pin & Socket Connectors](#) category:*

*Click to view products by [TE Connectivity](#) manufacturer:*

Other Similar products are found below :

[6450822-1](#) [770392-1](#) [794042-1](#) [796885-1](#) [8-794535-1](#) [PLR3455ACS-222](#) [R929991004](#) [R929993003](#) [1403611-1](#) [1-480349-5](#) [152302-5](#)  
[153211-2](#) [1586092-1](#) [1586129-1](#) [1586681-4](#) [1586700-1](#) [1586368-1](#) [1586380-1](#) [1586616-1](#) [1586680-5](#) [16-06-0038](#) [164164-5](#) [1-6609930-1](#)  
[172296-1](#) [19-09-2035](#) [200503-1](#) [200788-2](#) [2029090-4](#) [2029095-4](#) [925061-7](#) [293734-4](#) [293737-2](#) [1-765362-4](#) [1871534-1](#) [200833-4](#)  
[2008625-2](#) [2029027-2](#) [2029096-4](#) [R929991000](#) [R929991002](#) [R929993000](#) [319-10-101-00-005000](#) [319-10-102-00-001000](#) [319-10-104-00-001000](#) [319-10-105-00-001000](#) [319-10-108-00-001000](#) [319-10-112-00-006000](#) [39-01-8019](#) [319-10-101-00-001000](#) [319-10-102-00-005000](#)