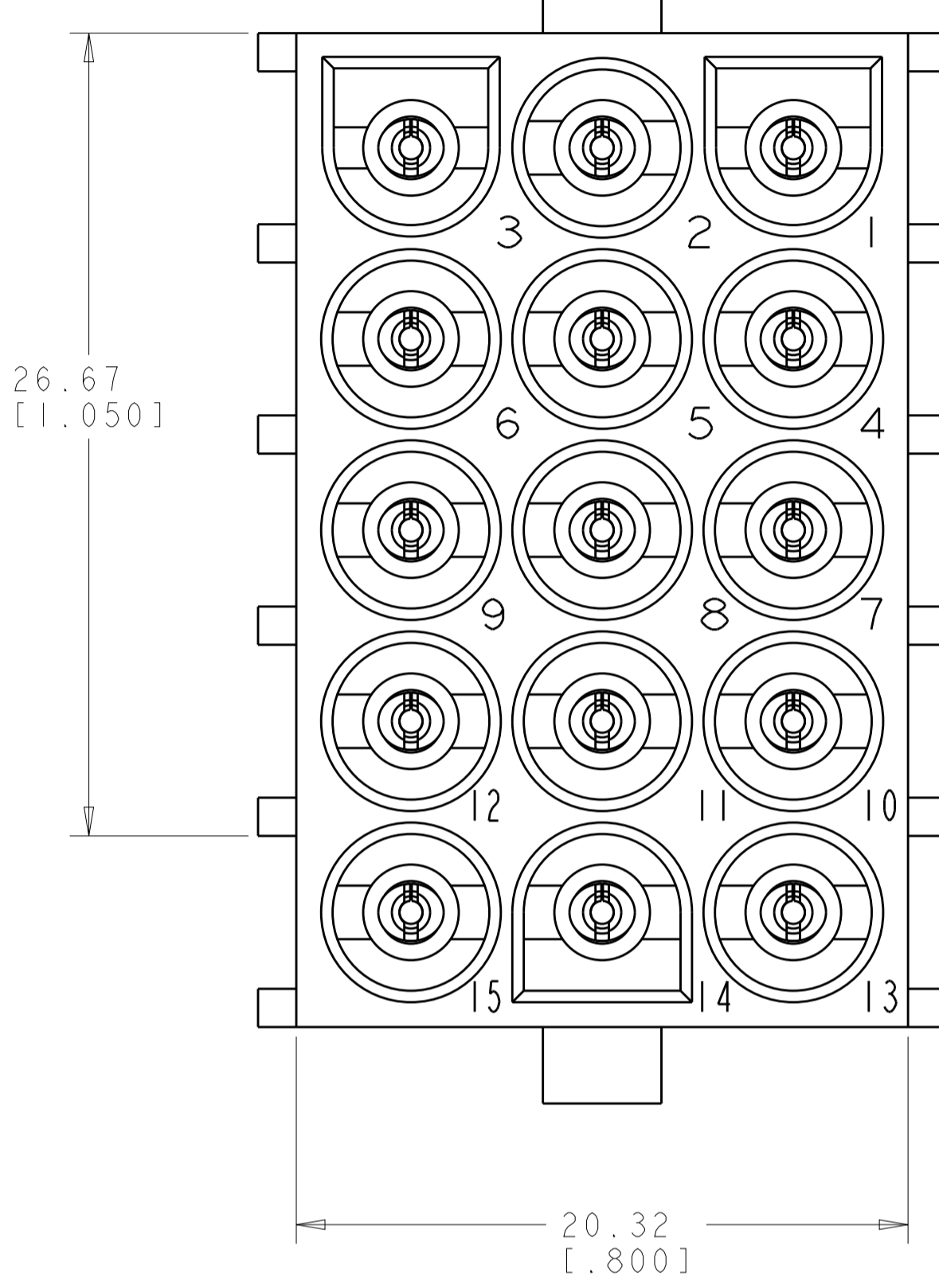
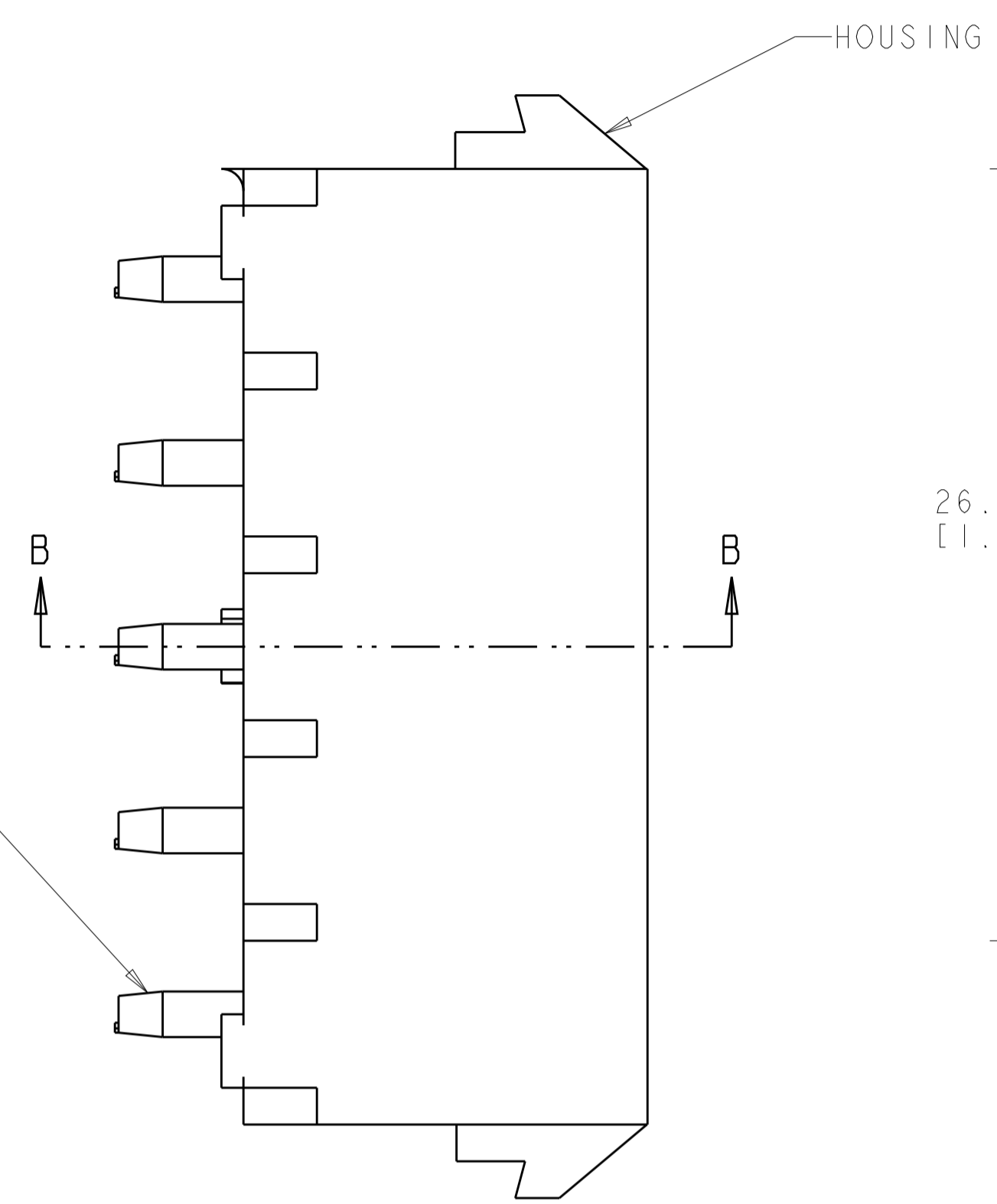
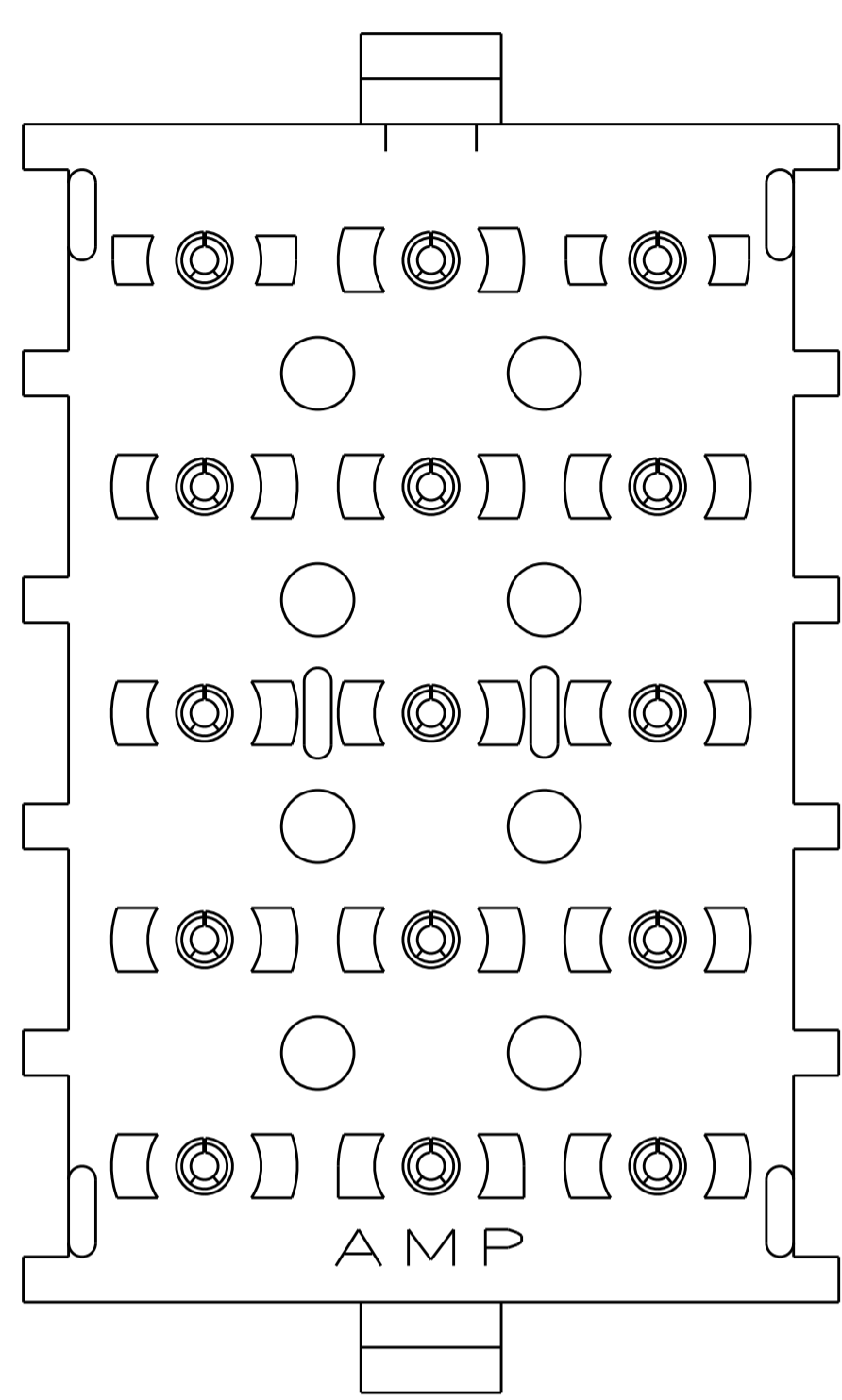
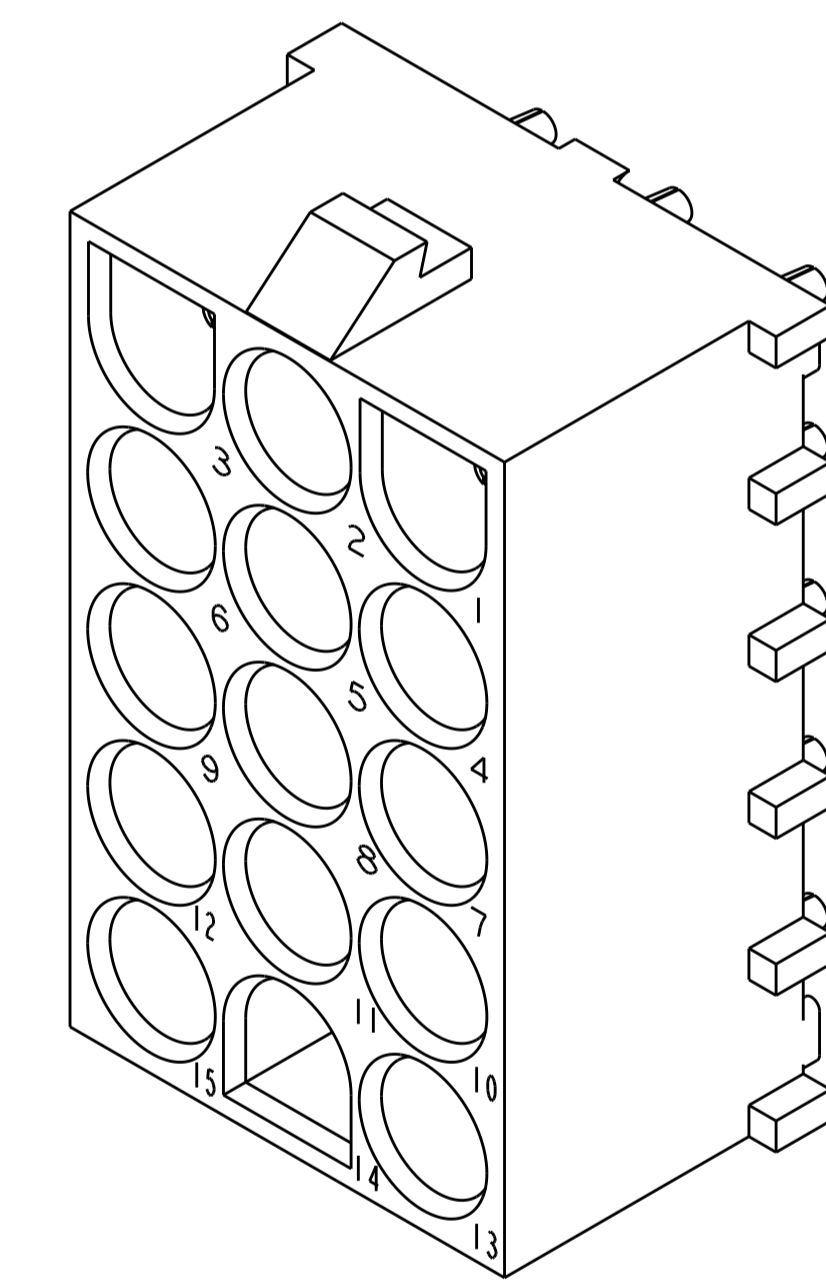


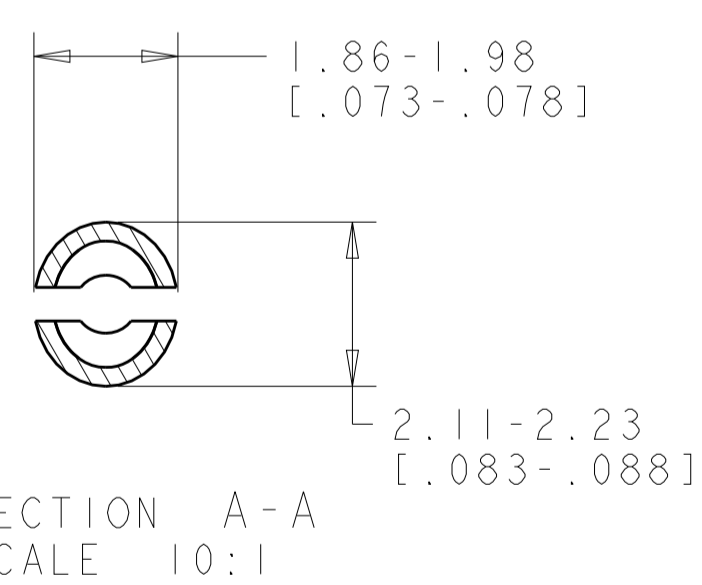
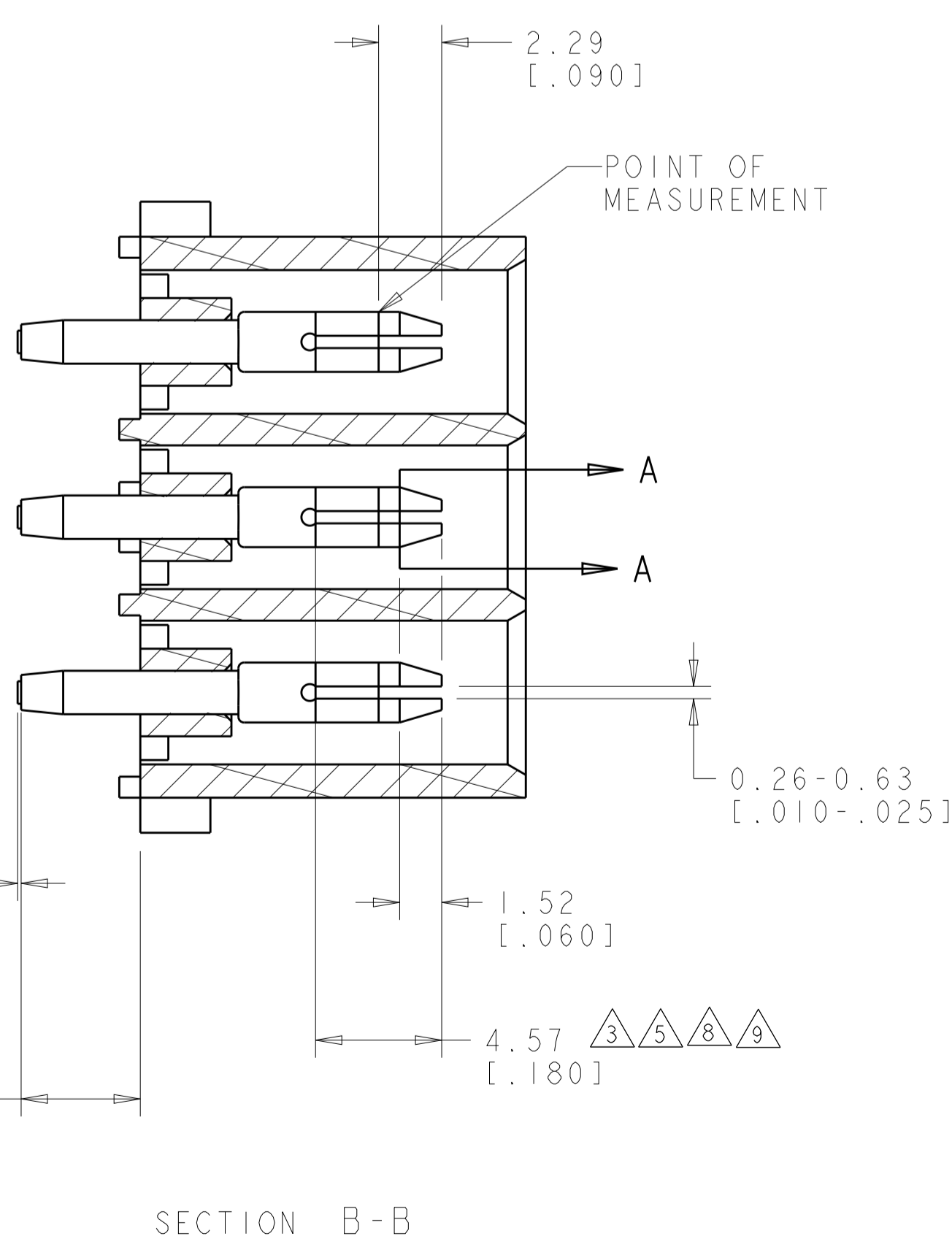
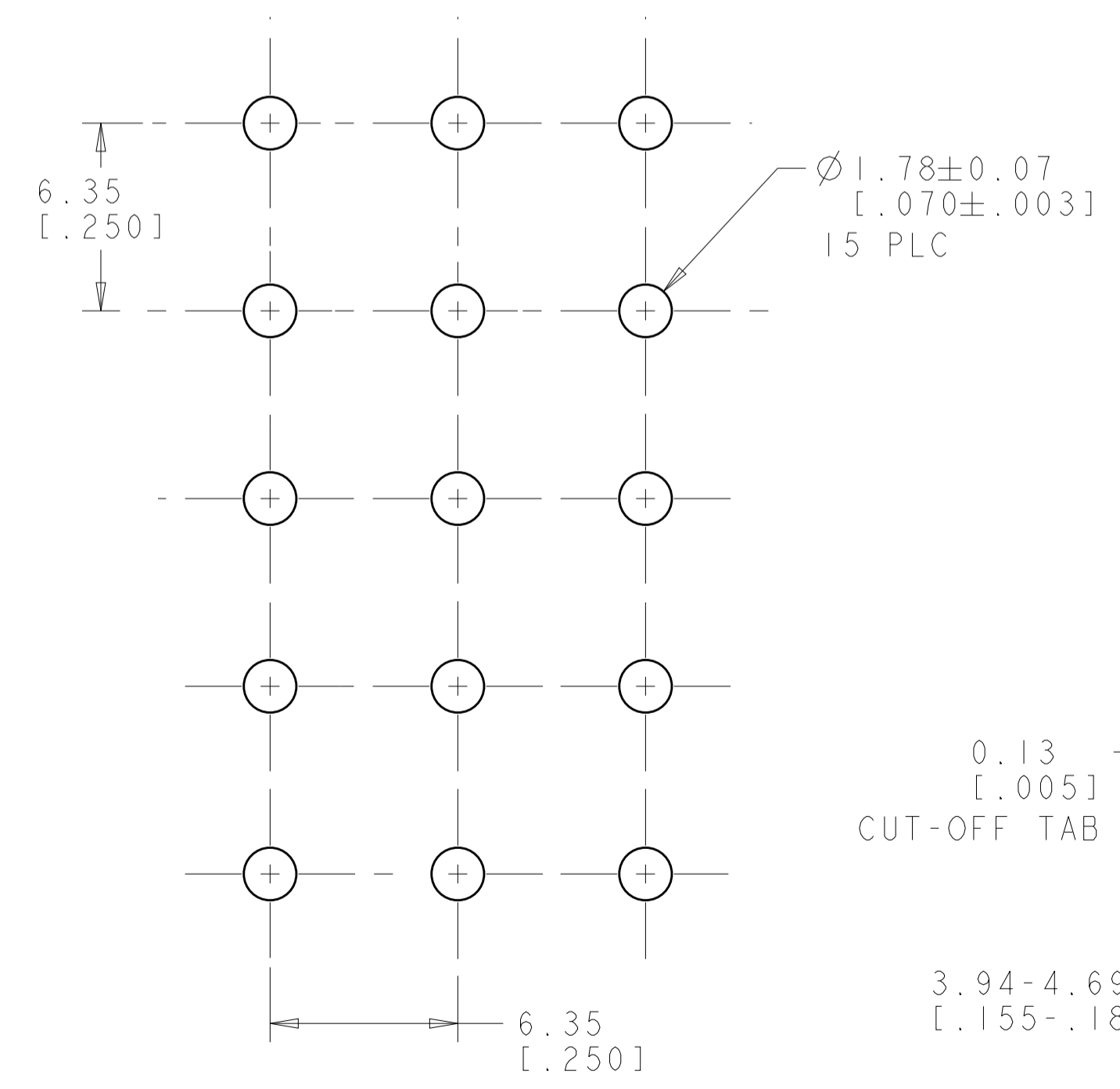
LOC	DIST	REVISIONS			
P	LTN	DESCRIPTION	DATE	DWN	APVD
P4		REVISED PER ECR-12-011660	24JAN2013	KH	TM



1. MATES WITH HOUSING 350736.
2. NOTE DELETED.
3. PARTS COMPLY TO AMP SOLDERABILITY SPECIFICATION 109-11-3.
4. CONTACT IS PLATED OVERALL WITH 0.00127 [.000050] NICKEL, THEN 0.00076 [.000030] GOLD OVER CONTACT LENGTH INDICATED AND TIN LEAD ON SOLDER TAIL END.
5. CONTACT IS PLATED OVERALL WITH 0.00127 [.000050] NICKEL, THEN 0.00038 [.000015] GOLD OVER CONTACT LENGTH INDICATED AND TIN LEAD ON SOLDER TAIL END.
6. PACKAGED PER SPEC 107-1202.
7. CIRCUIT IDENTIFICATION CHARACTERS ARE ADJACENT TO THE INDICATED CAVITIES, BUT LOCATION AND ORIENTATION MAY DIFFER FROM PRINT.
8. CONTACT IS PLATED OVERALL WITH 0.00127 [.000050] NICKEL, THEN 0.00076 [.000030] GOLD OVER CONTACT LENGTH INDICATED AND MATTE TIN ON SOLDER TAIL END.
9. CONTACT IS PLATED OVERALL WITH 0.00127 [.000050] NICKEL, THEN 0.00038 [.000015] GOLD OVER CONTACT LENGTH INDICATED AND MATTE TIN ON SOLDER TAIL END.
10. DIMENSIONS IN BRACKETS ARE IN INCHES.
11. OBSOLETE PARTS: OBSOLETE CIS STREAMLINING PER D.RENAUD/D.SINISI
12. SUPERSEDED BY 350714-4



3 DIMENSIONAL MODEL
SCALE 4:1

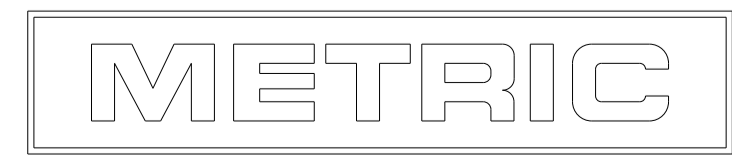


SECTION A-A
SCALE 10:1

SYMBOL	DESCRIPTION	MATERIAL	COLOR	PART NUMBER
6	PHOSPOR BRONZE, PRE-TIN	NYLON, UL94V-0, NATURAL		1-350714-1
OBSOLETE	PHOSPOR BRONZE, GOLD	NYLON, UL94V-0, NATURAL		350714-5
	PHOSPOR BRONZE, GOLD	NYLON, UL94V-0, NATURAL		350714-4
OBSOLETE	PHOSPOR BRONZE, GOLD	NYLON, UL94V-0, NATURAL		350714-3
2	PHOSPOR BRONZE, GOLD	NYLON, UL94V-0, NATURAL		350714-2
	PHOSPOR BRONZE, PRE-TIN	NYLON, UL94V-0, NATURAL		350714-1
PIN CONTACT MATERIAL AND FINISH		HOUSING MATERIAL AND COLOR		PART NUMBER

RECOMMENDED MOUNTING HOLE PATTERN FOR 1.57 [0.062] THICK P.C. BOARD HOLE THAT CORRESPONDS TO REMOVED CONTACT CAN BE OMITTED

SECTION B-B



THIS DRAWING IS A CONTROLLED DOCUMENT.

DIMENSIONS: mm [INCHES]	TOLERANCES UNLESS OTHERWISE SPECIFIED:	DWN: R. WHITAKER 26JULY2005	CHK: S. RIDGILL 26JULY2005	APVD: S. RIDGILL 26JULY2005	NAME: PIN HEADER ASSEMBLY, 15 CIRCUIT, UNIVERSAL MATE-N-LOK(TM)
0 PLC ±	±	PRODUCT SPEC	APPLICATION SPEC		SIZE: A1
2 PLC ±0.131(.005)	±	WEIGHT	CUSTOMER DRAWING		SCALE: 1:1
3 PLC ±	±	CAGE CODE - DRAWING NO: A100779C=350714		SHEET 1 OF 1	
4 PLC ±	±	RESTRICTED TO		REV: P4	

X-ON Electronics

Largest Supplier of Electrical and Electronic Components

Click to view similar products for [Pin & Socket Connectors](#) category:

Click to view products by [TE Connectivity](#) manufacturer:

Other Similar products are found below :

[6450822-1](#) [770392-1](#) [794042-1](#) [796885-1](#) [8-794535-1](#) [PLR3455ACS-222](#) [R929991004](#) [R929993003](#) [1403611-1](#) [1-480349-5](#) [152302-5](#)
[153211-2](#) [1586092-1](#) [1586129-1](#) [1586681-4](#) [1586700-1](#) [1586368-1](#) [1586380-1](#) [1586616-1](#) [1586680-5](#) [16-06-0038](#) [164164-5](#) [1-6609930-1](#)
[172296-1](#) [19-09-2035](#) [200503-1](#) [200788-2](#) [2029090-4](#) [2029095-4](#) [925061-7](#) [293734-4](#) [293737-2](#) [1-765362-4](#) [1871534-1](#) [200833-4](#)
[2008625-2](#) [2029027-2](#) [2029096-4](#) [R929991000](#) [R929991002](#) [R929993000](#) [319-10-101-00-005000](#) [319-10-102-00-001000](#) [319-10-104-00-001000](#) [319-10-105-00-001000](#) [319-10-108-00-001000](#) [319-10-112-00-006000](#) [39-01-8019](#) [319-10-101-00-001000](#) [319-10-102-00-005000](#)