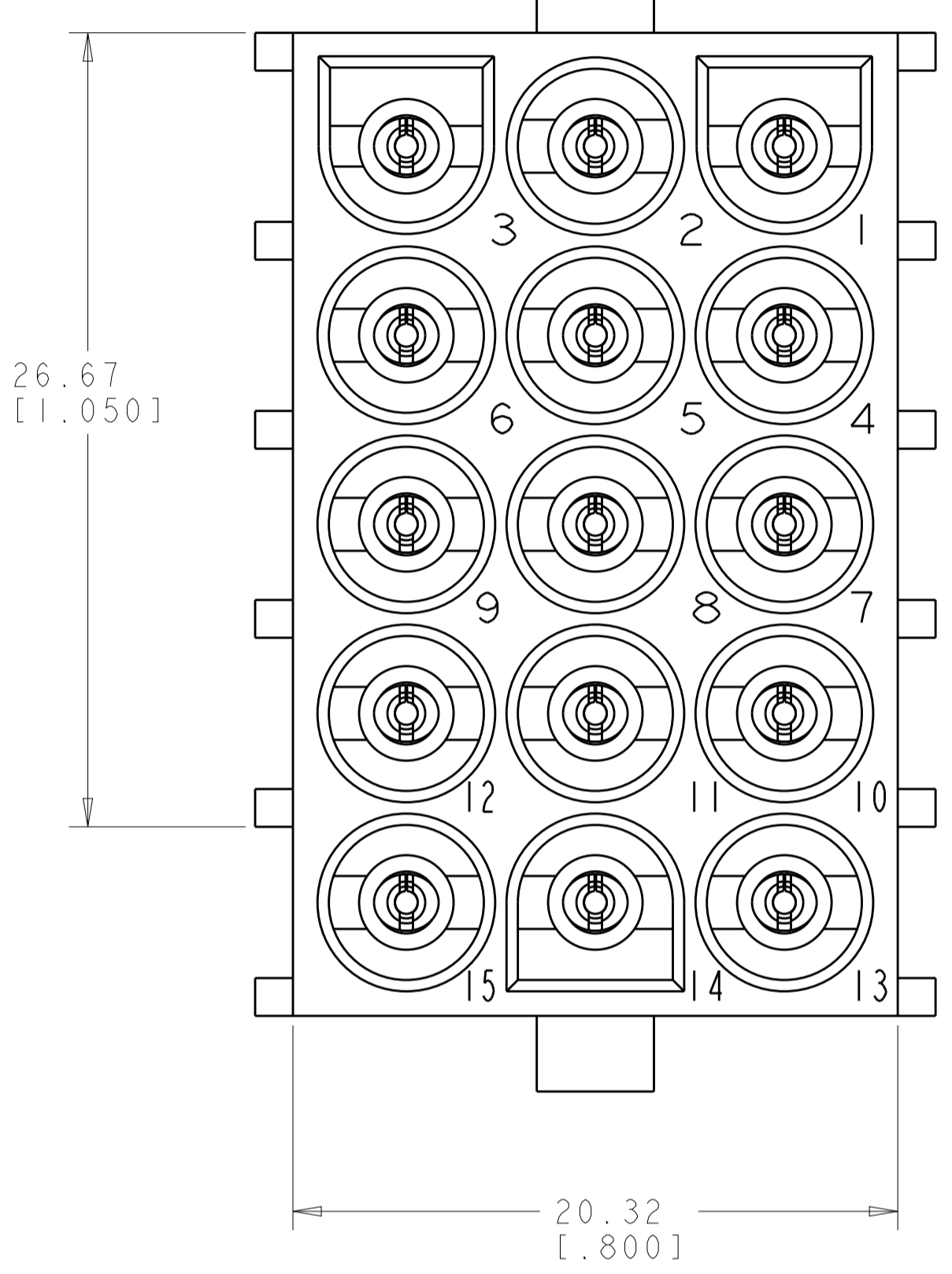
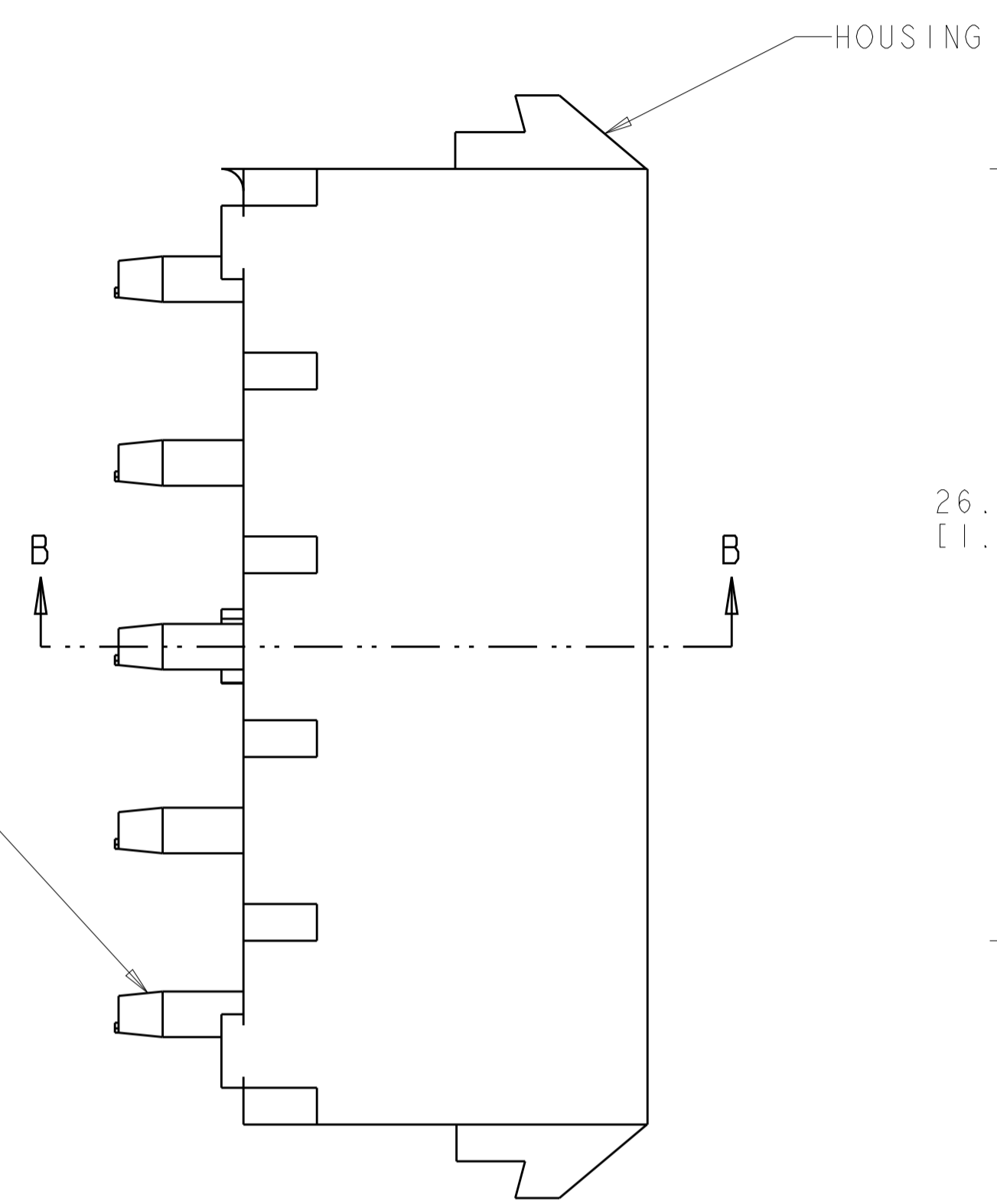
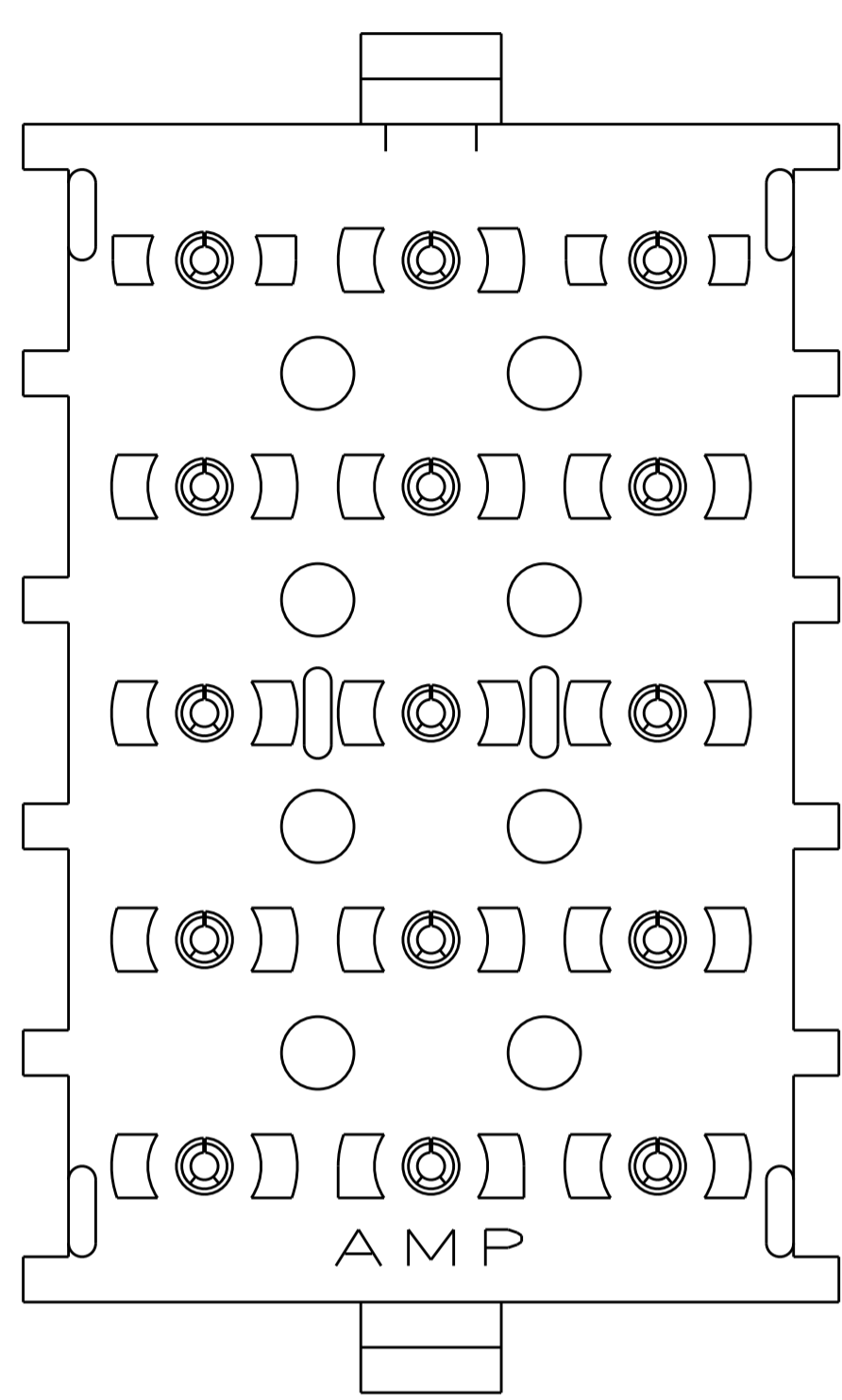
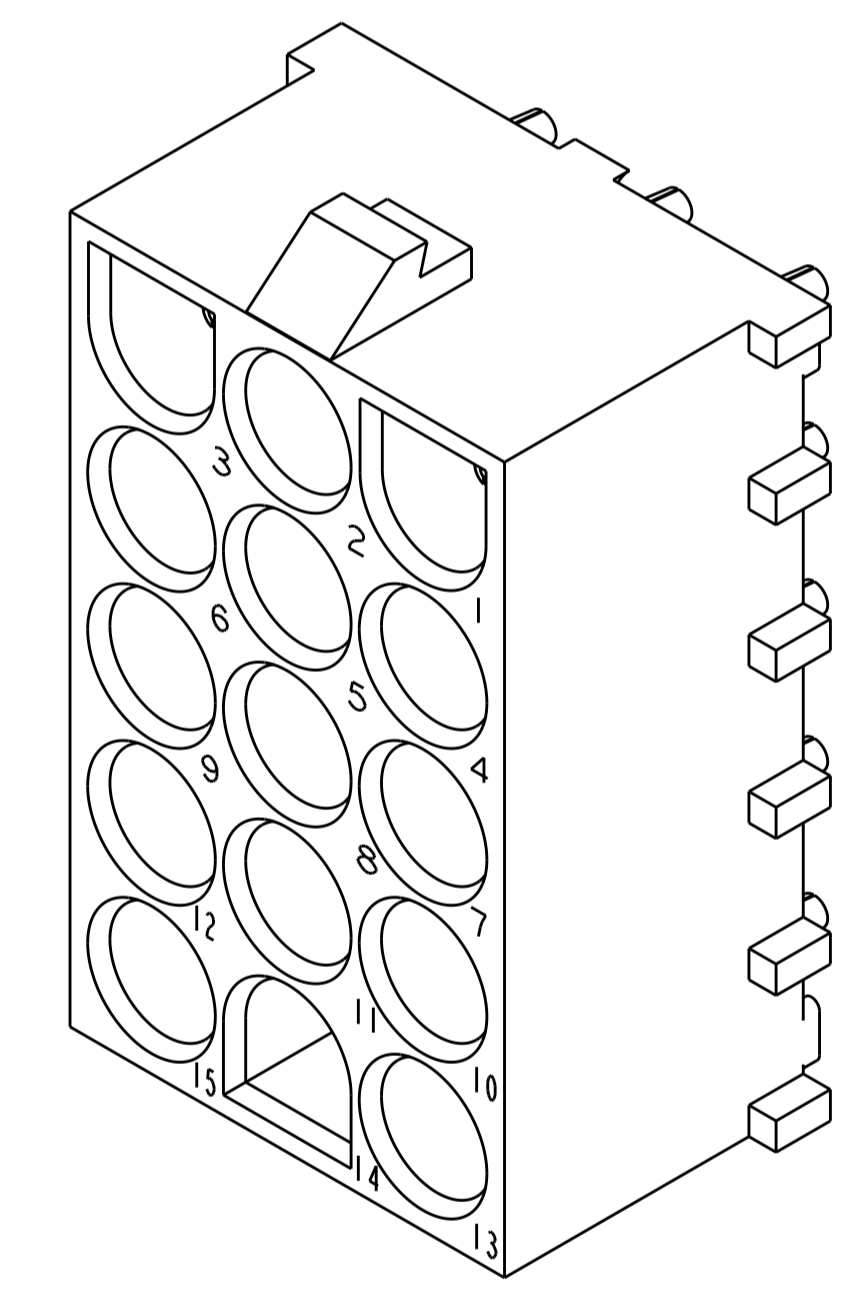


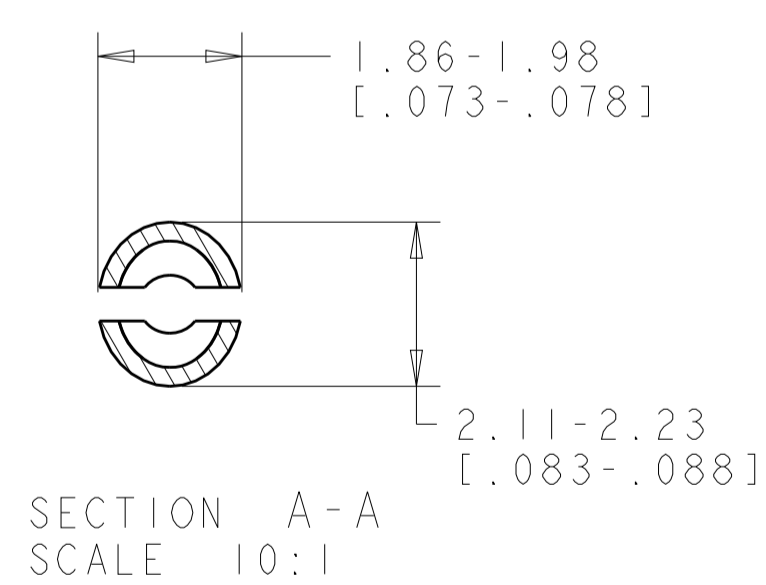
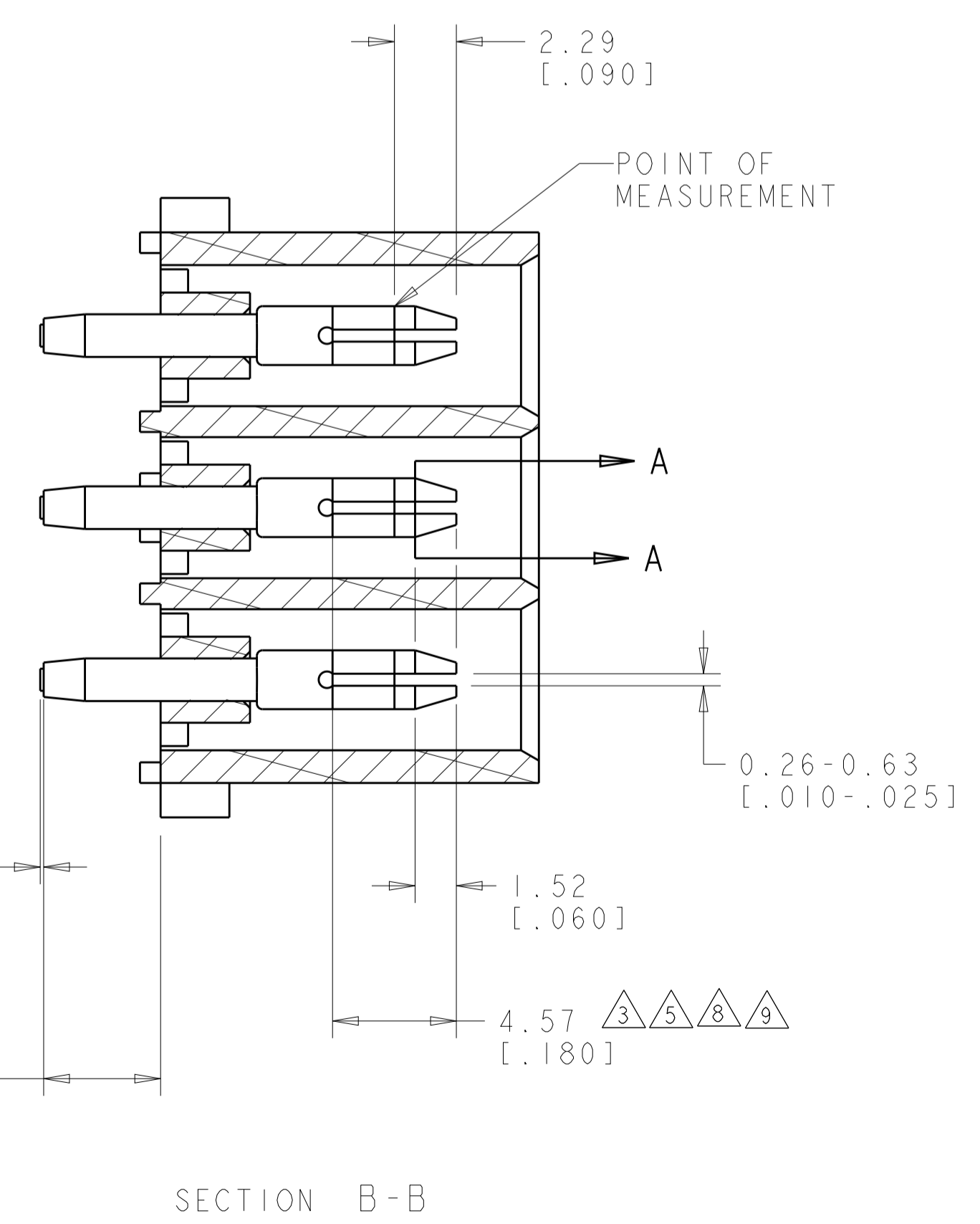
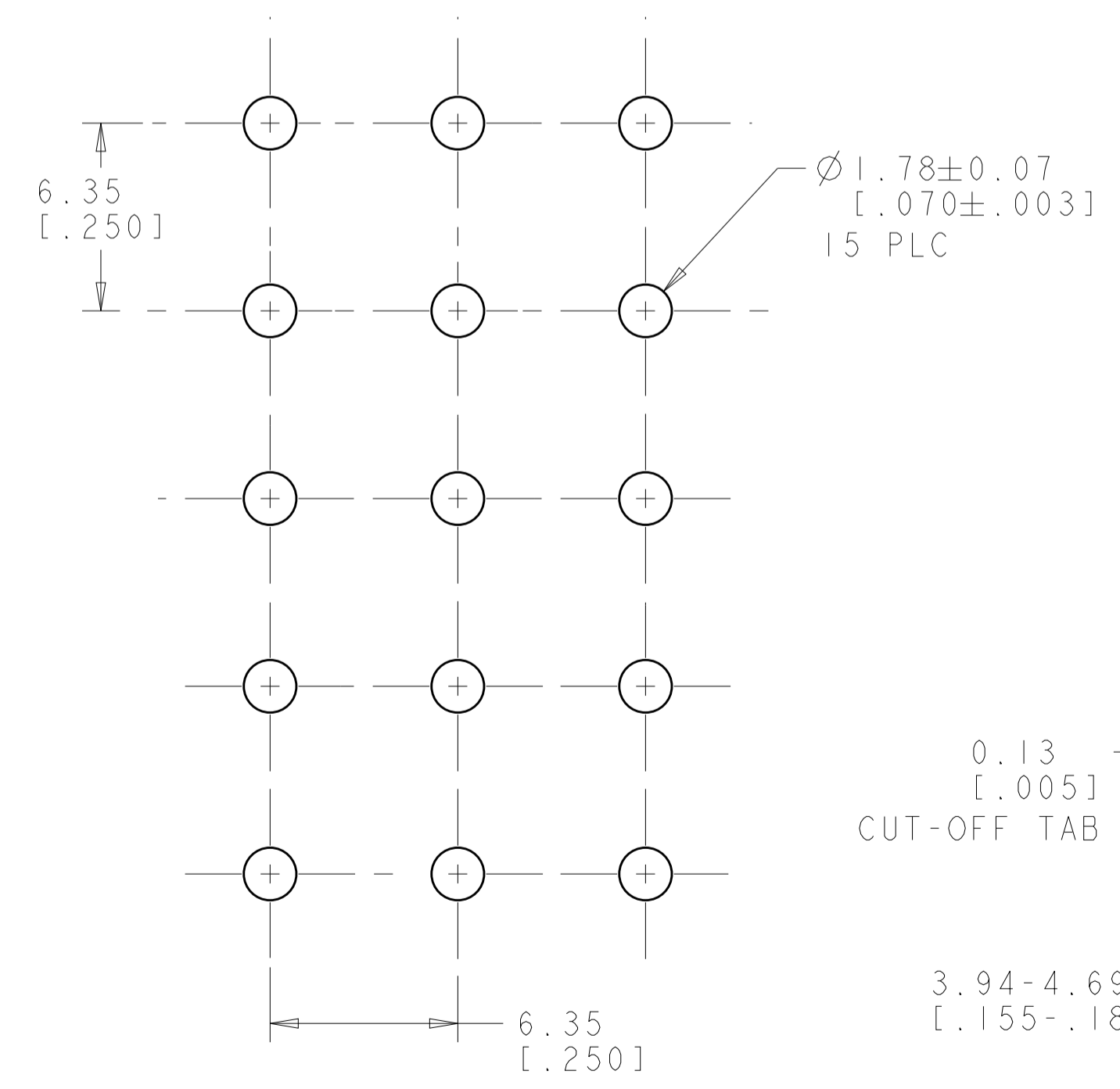
LOC	DIST	REV	DATE	BY	CHK	APP'D
CM	00	P4	24JAN2013	KH	TM	



1. MATES WITH HOUSING 350736.
2. NOTE DELETED.
3. PARTS COMPLY TO AMP SOLDERABILITY SPECIFICATION 109-11-3.
4. CONTACT IS PLATED OVERALL WITH 0.00127 [.000050] NICKEL, THEN 0.00076 [.000030] GOLD OVER CONTACT LENGTH INDICATED AND TIN LEAD ON SOLDER TAIL END.
5. CONTACT IS PLATED OVERALL WITH 0.00127 [.000050] NICKEL, THEN 0.00038 [.000015] GOLD OVER CONTACT LENGTH INDICATED AND TIN LEAD ON SOLDER TAIL END.
6. PACKAGED PER SPEC 107-1202.
7. CIRCUIT IDENTIFICATION CHARACTERS ARE ADJACENT TO THE INDICATED CAVITIES, BUT LOCATION AND ORIENTATION MAY DIFFER FROM PRINT.
8. CONTACT IS PLATED OVERALL WITH 0.00127 [.000050] NICKEL, THEN 0.00076 [.000030] GOLD OVER CONTACT LENGTH INDICATED AND MATTE TIN ON SOLDER TAIL END.
9. CONTACT IS PLATED OVERALL WITH 0.00127 [.000050] NICKEL, THEN 0.00038 [.000015] GOLD OVER CONTACT LENGTH INDICATED AND MATTE TIN ON SOLDER TAIL END.
10. DIMENSIONS IN BRACKETS ARE IN INCHES.
11. OBSOLETE PARTS: OBSOLETE CIS STREAMLINING PER D.RENAUD/D.SINISI
12. SUPERSEDED BY 350714-4



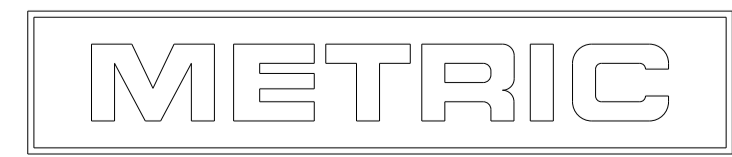
3 DIMENSIONAL MODEL  
SCALE 4:1



SECTION A-A  
SCALE 10:1

OBSOLETE	6	PHOSPOR BRONZE, PRE-TIN	NYLON, UL94V-0, NATURAL	1-350714-1
		PHOSPOR BRONZE, GOLD	NYLON, UL94V-0, NATURAL	350714-5
OBSOLETE		PHOSPOR BRONZE, GOLD	NYLON, UL94V-0, NATURAL	350714-4
		PHOSPOR BRONZE, GOLD	NYLON, UL94V-0, NATURAL	350714-3
OBSOLETE	2	PHOSPOR BRONZE, GOLD	NYLON, UL94V-0, NATURAL	350714-2
		PHOSPOR BRONZE, PRE-TIN	NYLON, UL94V-0, NATURAL	350714-1
PIN CONTACT MATERIAL AND FINISH			HOUSING MATERIAL AND COLOR	PART NUMBER

RECOMMENDED MOUNTING HOLE PATTERN FOR 1.57 [.062] THICK P.C. BOARD HOLE THAT CORRESPONDS TO REMOVED CONTACT CAN BE OMITTED



THIS DRAWING IS A CONTROLLED DOCUMENT.

DIMENSIONS: mm [INCHES]	TOLERANCES UNLESS OTHERWISE SPECIFIED:	0 PLC ± .013 [.005]	1 PLC ± .013 [.005]	2 PLC ± .013 [.005]	3 PLC ± .013 [.005]	4 PLC ± .013 [.005]	ANGLES ± 40° 30'	FINISH SEE TABLE
-------------------------	--	---------------------	---------------------	---------------------	---------------------	---------------------	------------------	------------------

MATERIAL: SEE TABLE

DATE: 26 JULY 2005  
 CHK: R. WHITAKER  
 S. RIDGILL  
 APVD: S. RIDGILL  
 PRODUCT SPEC: PIN HEADER ASSEMBLY, 15 CIRCUIT, UNIVERSAL MATE-N-LOK(TM)  
 APPLICATION SPEC: A100779  
 WEIGHT: -  
 CUSTOMER DRAWING: SCALE 1:1 SHEET 1 OF 1 REV P4

TE Connectivity

## X-ON Electronics

Largest Supplier of Electrical and Electronic Components

*Click to view similar products for [Pin & Socket Connectors](#) category:*

*Click to view products by [TE Connectivity](#) manufacturer:*

Other Similar products are found below :

[6450822-1](#) [770392-1](#) [794042-1](#) [796885-1](#) [8-794535-1](#) [881459-2](#) [R929993003](#) [1-350779-3](#) [1403611-1](#) [1-480349-5](#) [1586092-1](#) [1586129-1](#)  
[1586487-1](#) [1586681-4](#) [1586700-1](#) [1586065-1](#) [1586077-1](#) [1586368-1](#) [1586380-1](#) [1586680-5](#) [1586681-2](#) [1604996-1](#) [16-06-0038](#) [164164-5](#) [1-](#)  
[6609930-1](#) [172296-1](#) [1-794714-6](#) [19-09-2035](#) [1969804-1](#) [200503-1](#) [200788-2](#) [201046-7](#) [202648-4](#) [2029076-2](#) [2029090-4](#) [2029095-4](#) [2-](#)  
[66102-6](#) [925061-7](#) [926681-1](#) [293734-4](#) [293737-2](#) [1-765362-4](#) [1-794606-3](#) [1871534-1](#) [1969795-1](#) [1969798-1](#) [1969800-1](#) [200833-4](#)  
[2008625-2](#) [2029027-2](#)