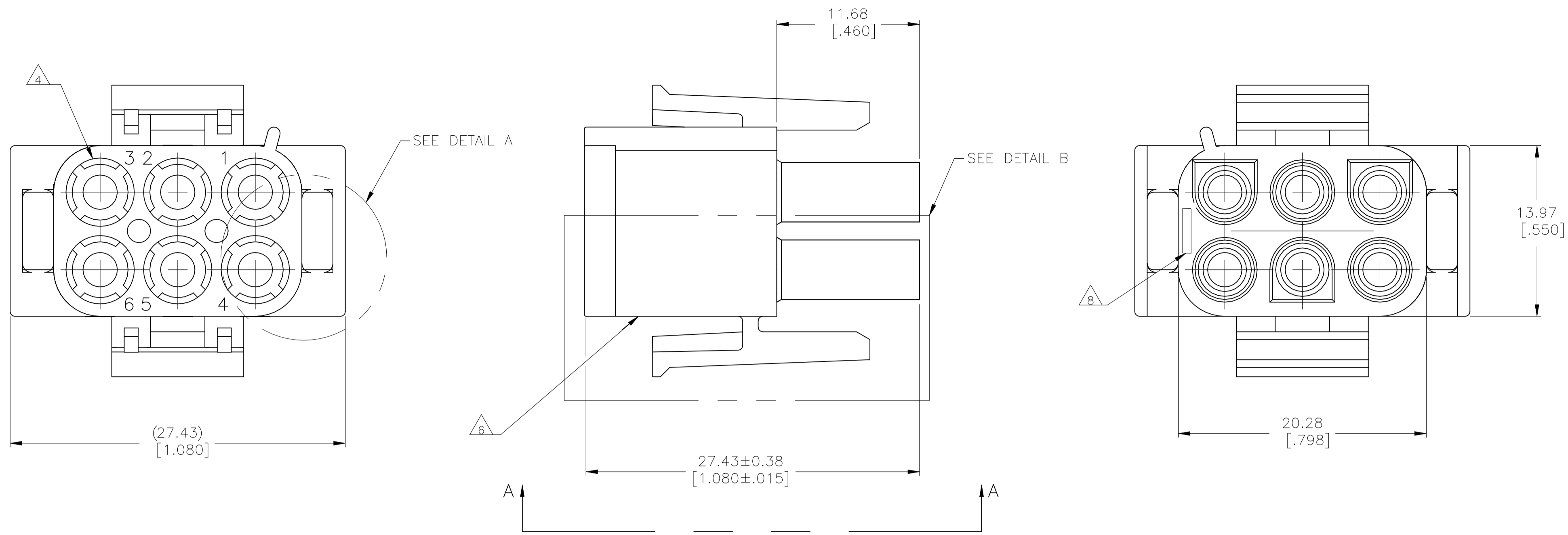
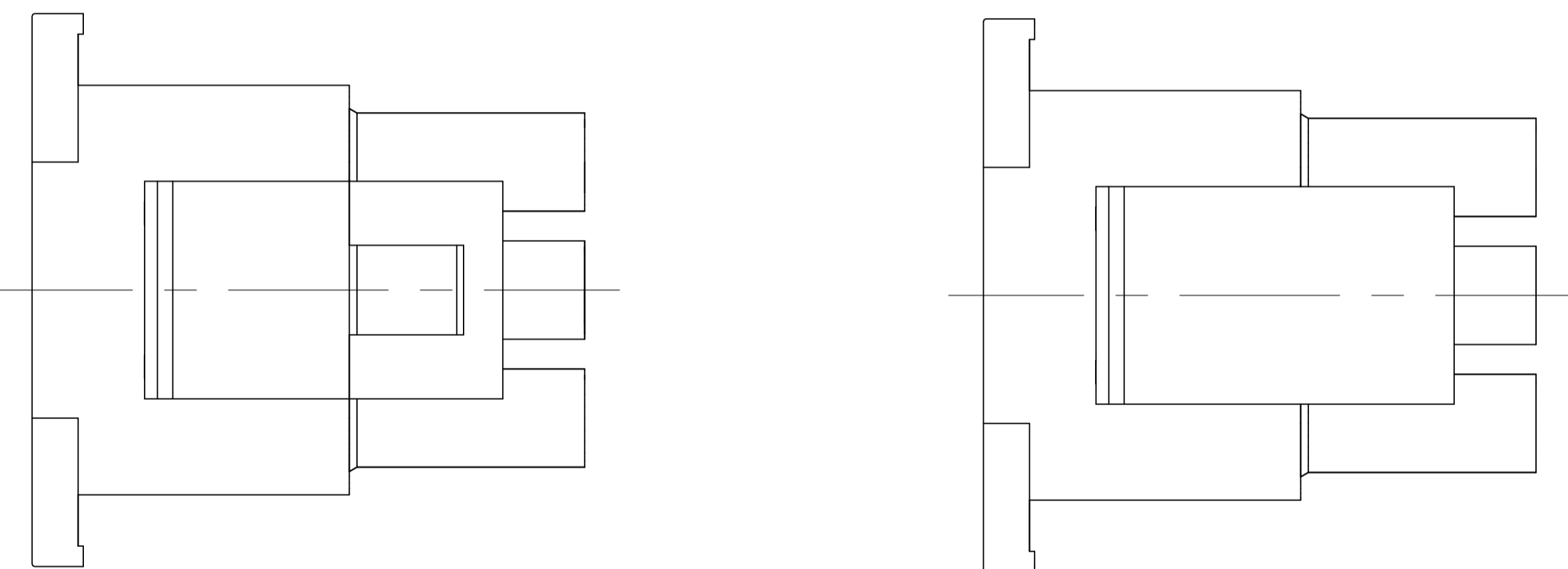


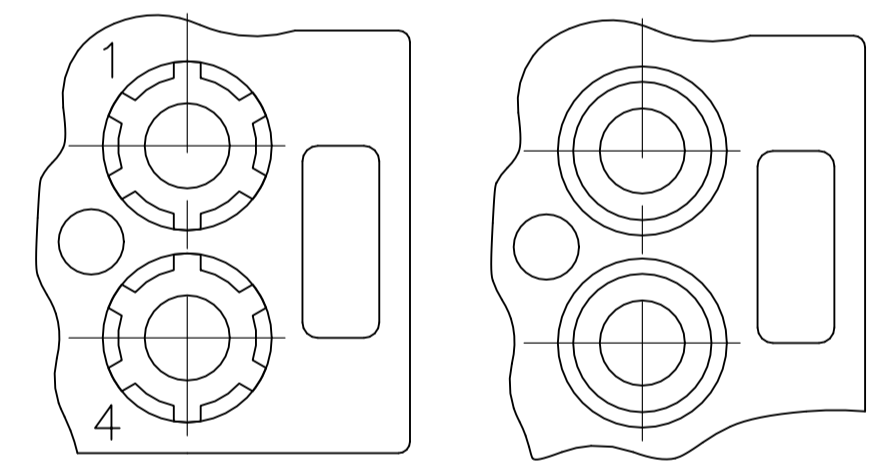
REVISIONS				
REV	DATE	DESCRIPTION	BY	APP'D
Z	15APR2021	REVISED PER ECR-21-100624	PC	JS



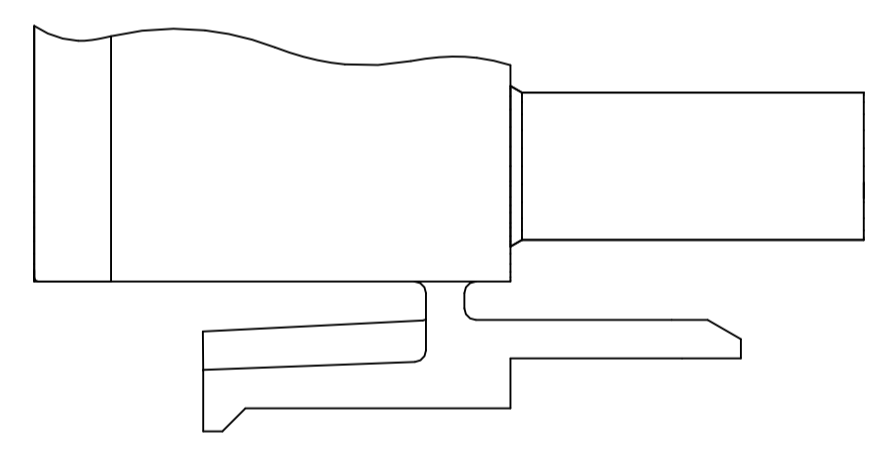
- MATES WITH APPROPRIATE UNIVERSAL MATE-N-LOK CAP OR HEADER.
- SMALL NICKS ARE PERMITTED ON THE CIRCUIT TOWERS WHICH COULD INCREASE THE INITIAL HOUSING MATING FORCE BY UP TO 4.4 NEWTONS [1.0 LBS]. NO INDIVIDUAL NICKED TOWER SHALL INCREASE THIS FORCE BY OVER 2.2 NEWTONS [.5 LBS].
- DIMENSIONS SHOWN REPRESENT PRODUCT IN DRY, AS MOLDED, CONDITION. ADDITIONAL 2% GROWTH DUE TO SUBSEQUENT MOISTURE ABSORPTION MAY OCCUR AND SHOULD BE ACCOUNTED FOR.
- FOUR RIBS EQUALLY SPACED, NO SPECIFIC ORIENTATION. NO RIBS OR SIX RIBS EQUALLY SPACED, NO SPECIFIC ORIENTATION, OPTIONAL.
- NOT MANUFACTURED IN THE US. NATURAL COLOR OF 350715-4 MAY DIFFER FROM 350715-1 VERSION
- UNDERWRITERS RECOGNIZED COMPONENT LOGO AND CSA CERTIFICATION LOGO TO BE LOCATED ONCE EACH ON SIDE OF HOUSING.
- MANUFACTURING LOCATION ID ON SIDE OF HOUSING (OPTIONAL).
- TRADEMARK LOCATION (AMP OR TE CONNECTIVITY).



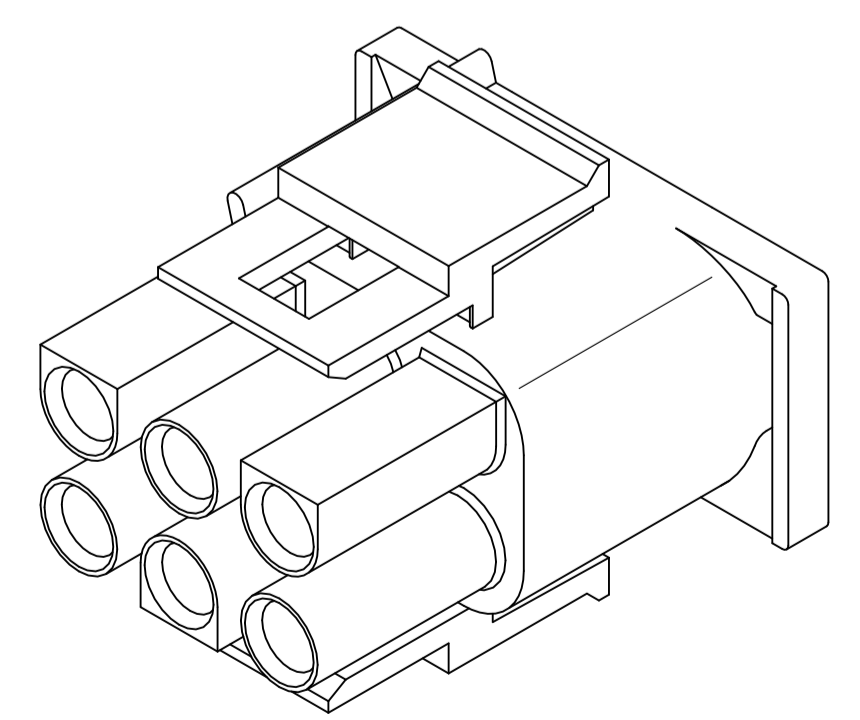
VIEW A-A
350715-4 ONLY



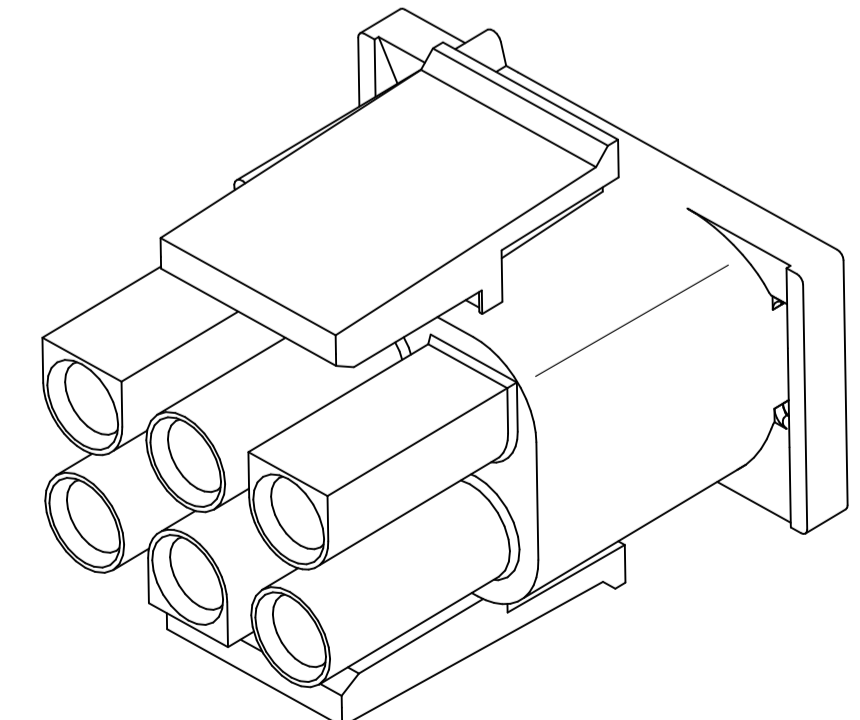
DETAIL A
OPTIONAL CONSTRUCTION



DETAIL B
350715-4 ONLY



350715-4 3-DIMENSIONAL MODEL
NTS



3-DIMENSIONAL MODEL
NTS

OBSOLETE	—BLACK	1-350715-9
OBSOLETE	—GRAY	1-350715-8
OBSOLETE	—BLUE	1-350715-6
OBSOLETE	—GREEN	1-350715-5
OBSOLETE	—YELLOW	1-350715-4
OBSOLETE	—ORANGE	1-350715-3
	RED	1-350715-2
	BROWN	1-350715-1
	△ NATURAL	350715-4
	NATURAL	350715-1
	COLOR	PART NUMBER

THIS DRAWING IS A CONTROLLED DOCUMENT.		DIN S. HOOVER 14APR04	TE Connectivity	
DIMENSIONS: mm [INCHES]		CHK S. RIDGILL 14APR04	NAME	
TOLERANCES UNLESS OTHERWISE SPECIFIED:		APP'D S. RIDGILL 14APR04	PRODUCT SPEC	
0. PLC	± -	APPLICATION SPEC		
1. PLC	± -	SIZE		
2. PLC	± 0.13 [.005]	CAGE CODE		
3. PLC	± -	DRAWING NO		
4. PLC	± -	RESTRICTED TO		
ANGLES	± -	WEIGHT		
MATERIAL NYLON, UL 94V-0		0		A1 00779
FINISH -		0		350715
		CUSTOMER DRAWING		SCALE 4:1 SHEET 1 of 1 REV Z

X-ON Electronics

Largest Supplier of Electrical and Electronic Components

Click to view similar products for [Pin & Socket Connectors](#) category:

Click to view products by [TE Connectivity](#) manufacturer:

Other Similar products are found below :

[6450822-1](#) [770392-1](#) [794042-1](#) [796885-1](#) [8-794535-1](#) [PLR3455ACS-222](#) [R929991004](#) [R929993003](#) [1403611-1](#) [1-480349-5](#) [152302-5](#)
[153211-2](#) [1586092-1](#) [1586129-1](#) [1586681-4](#) [1586700-1](#) [1586368-1](#) [1586380-1](#) [1586616-1](#) [1586680-5](#) [16-06-0038](#) [164164-5](#) [1-6609930-1](#)
[172296-1](#) [19-09-2035](#) [200503-1](#) [200788-2](#) [2029090-4](#) [2029095-4](#) [925061-7](#) [293734-4](#) [293737-2](#) [1-765362-4](#) [1871534-1](#) [200833-4](#)
[2008625-2](#) [2029027-2](#) [2029096-4](#) [R929991000](#) [R929991002](#) [R929993000](#) [319-10-101-00-005000](#) [319-10-102-00-001000](#) [319-10-104-00-001000](#) [319-10-105-00-001000](#) [319-10-108-00-001000](#) [319-10-112-00-006000](#) [39-01-8019](#) [319-10-101-00-001000](#) [319-10-102-00-005000](#)