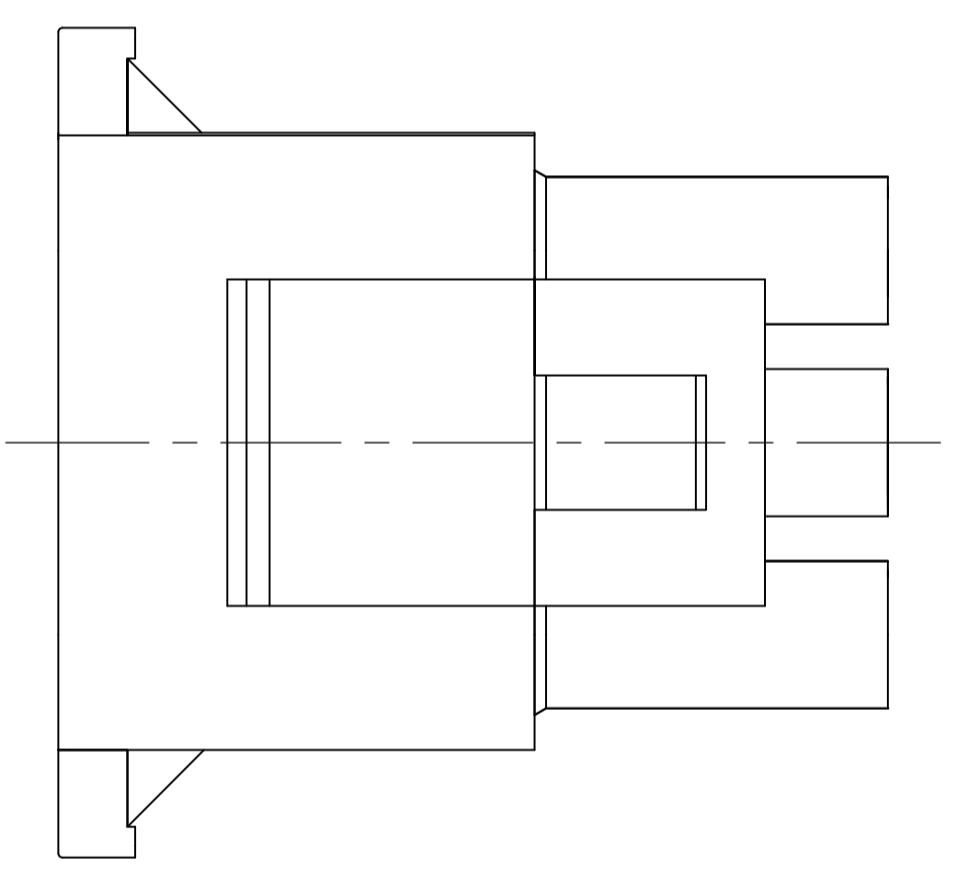
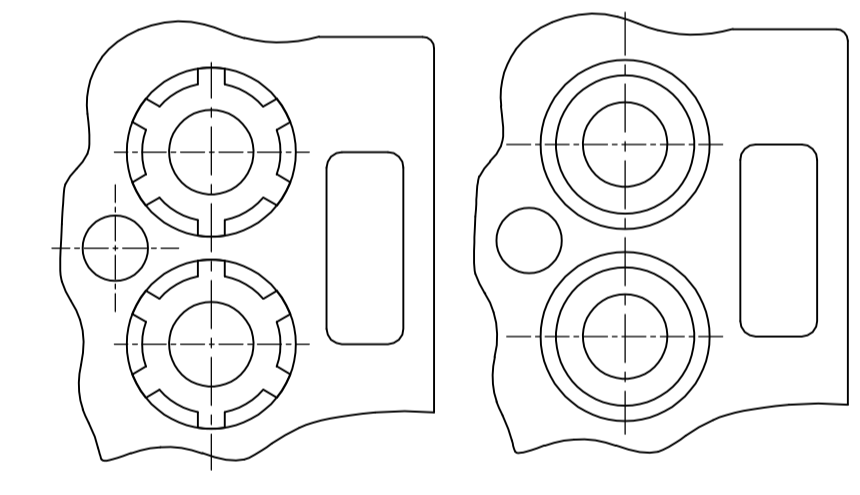
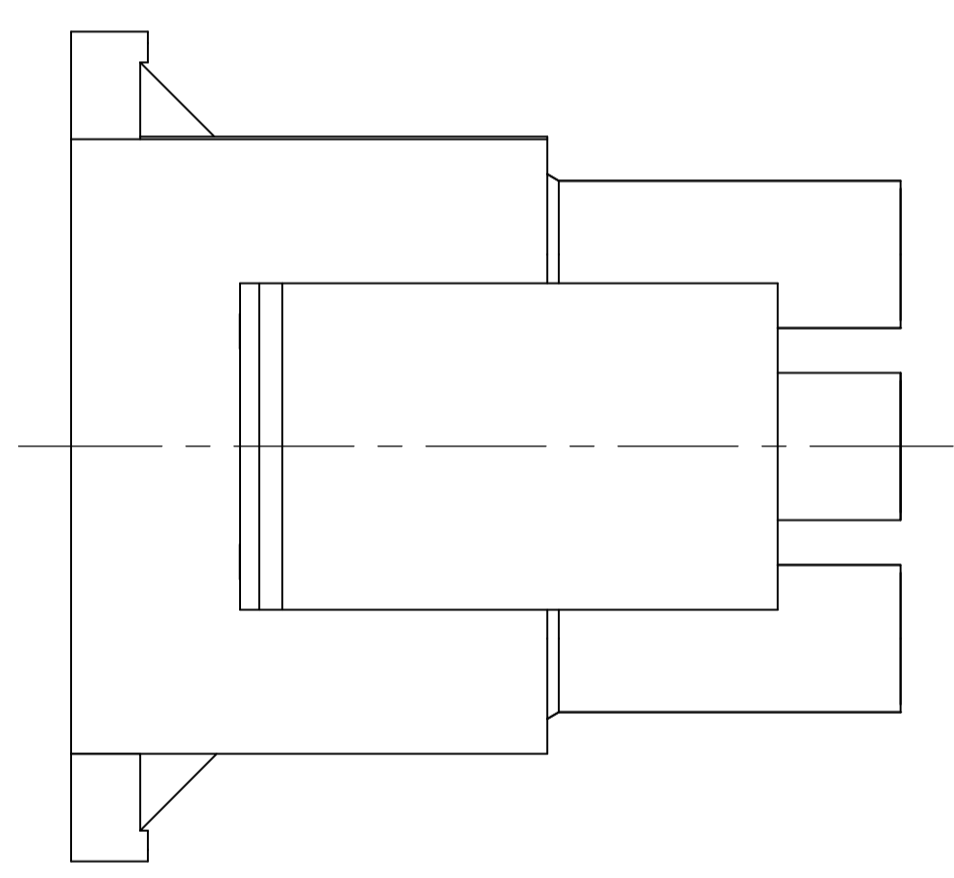


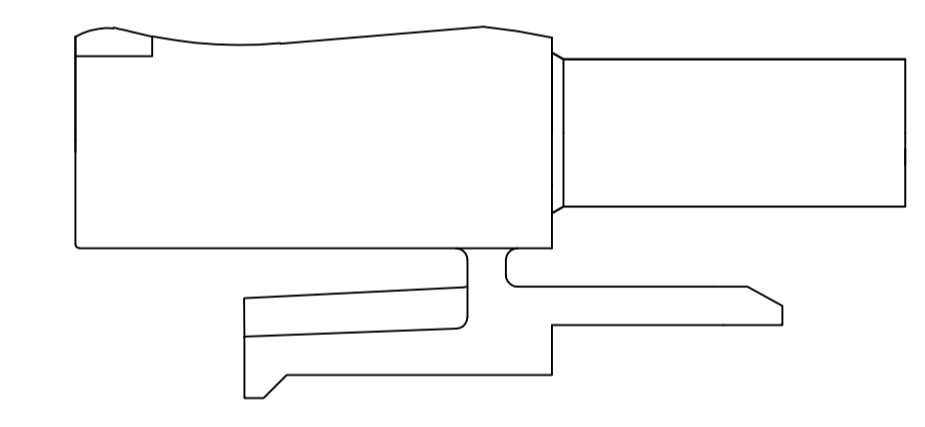
- MATES WITH APPROPRIATE UNIVERSAL MATE-N-LOK™ CAP OR HEADER.
 - SMALL NICKS ARE PERMITTED ON THE CIRCUIT TOWERS WHICH COULD INCREASE THE INITIAL HOUSING MATING FORCE BY UP TO 4.4 NEWTONS [1.0] LBS. NO INDIVIDUAL NICKED TOWER SHALL INCREASE THIS FORCE BY OVER 2.2 NEWTONS [.5] LBS.
 - DIMENSIONS SHOWN REPRESENT PRODUCT IN DRY, AS MOLDED, CONDITION. ADDITIONAL 2% GROWTH DUE TO SUBSEQUENT MOISTURE ABSORPTION MAY OCCUR AND SHOULD BE ACCOUNTED FOR.
- △4 FOUR RIBS EQUALLY SPACED, NO SPECIFIC ORIENTATION, NO RIBS OR SIX RIBS EQUALLY SPACED, NO SPECIFIC ORIENTATION, OPTIONAL.
- △5 NOT MANUFACTURED IN U.S.
- △6 UNDERWRITERS RECOGNIZED COMPONENT LOGO AND CSA CERTIFICATION LOGO TO BE LOCATED ONCE ON EACH SIDE OF HOUSING..



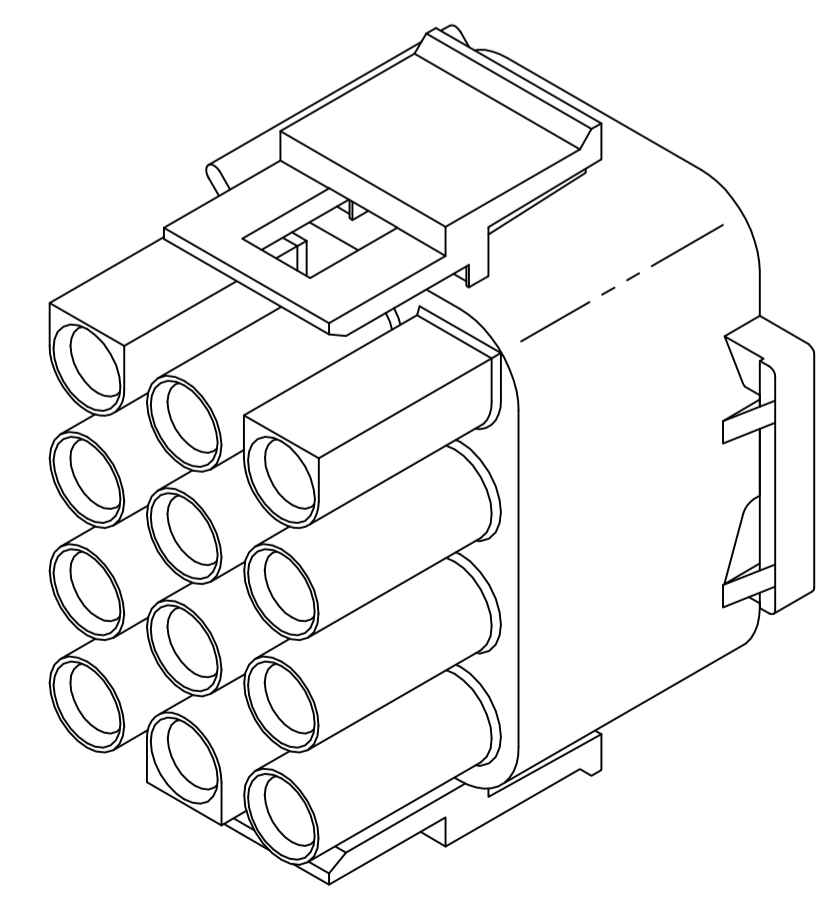
VIEW A-A
350735-4 ONLY



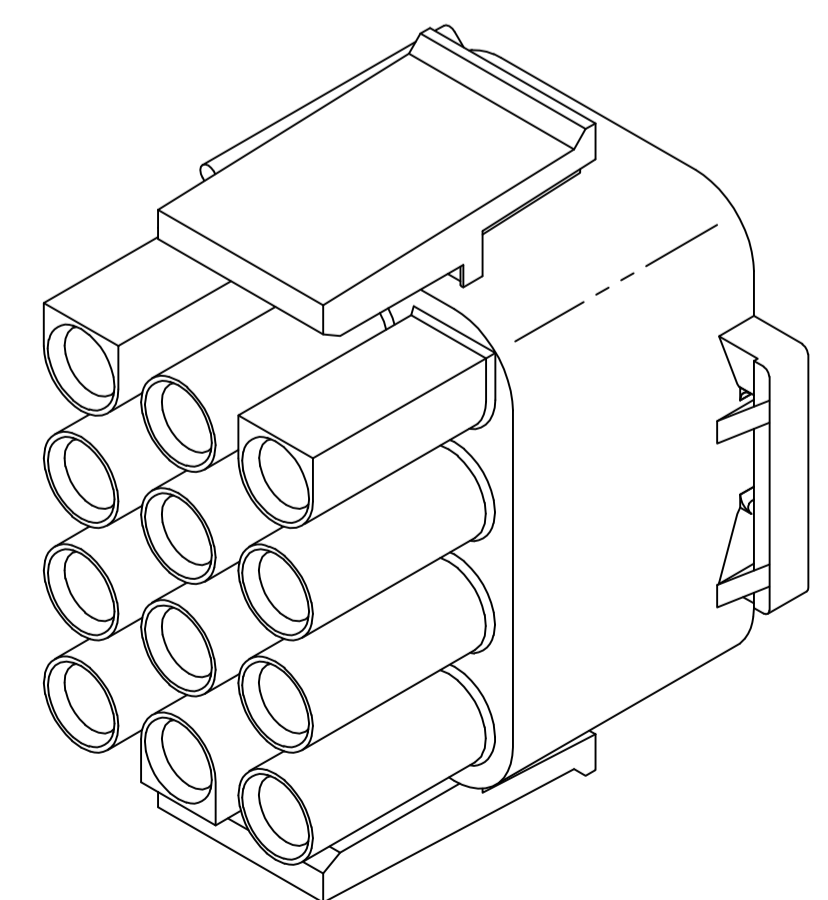
DETAIL A
OPTIONAL CONSTRUCTION



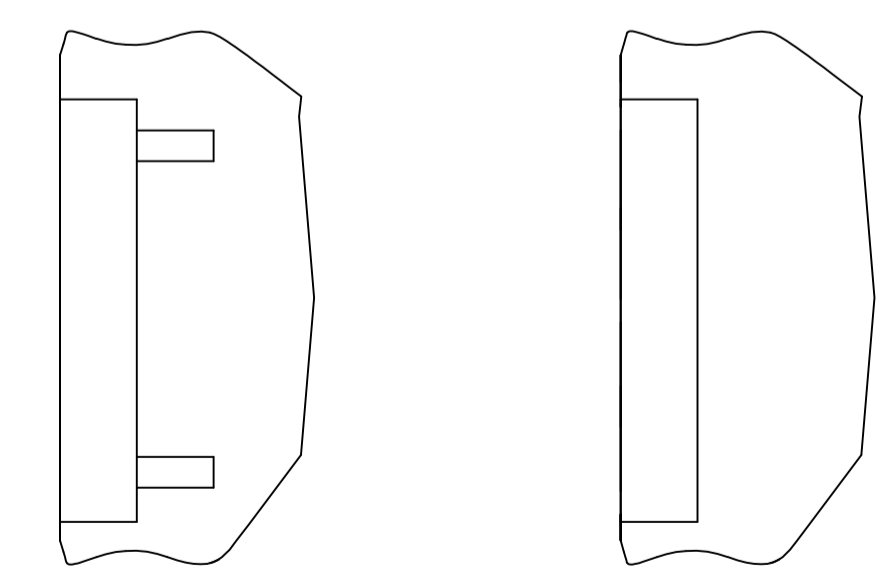
DETAIL B
350735-4 ONLY



350735-4 3-DIMENSIONAL MODEL
NOT TO SCALE



3-DIMENSIONAL MODEL
NOT TO SCALE



DETAIL C
OPTIONAL CONSTRUCTION

| | |
|-------|-------|
| 27.43 | 1.080 |
| 26.67 | 1.050 |
| 20.32 | .800 |
| 11.68 | .460 |
| 0.38 | .015 |
| 0.13 | .005 |
| MM | IN |

CONVERSION TABLE

| | |
|--------------------------|-------------|
| BLACK | 1-350735-9 |
| GRAY | 1-350735-8 |
| BLUE | 1-350735-6 |
| GREEN | 1-350735-5 |
| YELLOW | 1-350735-4 |
| ORANGE | 1-350735-3 |
| RED | 1-350735-2 |
| BROWN | 1-350735-1 |
| SUPERCEDED BY 1-350735-2 | |
| △ NATURAL | 350735-4 |
| NATURAL | 350735-1 |
| COLOR | PART NUMBER |

THIS DRAWING IS A CONTROLLED DOCUMENT.

| | | | | |
|----------------|--|------------------|--|----------------------|
| DIMENSIONS: | TOLERANCES UNLESS OTHERWISE SPECIFIED: | DWN | K. WHITAKER | 23FEB06 |
| mm | 0. PLC ± - | CHK | S. RIDGILL | 23FEB06 |
| | 1. PLC ± - | APVD | S. RIDGILL | 23FEB06 |
| | 2. PLC ± 0.13 | NAME | PLUG, 12 CIRCUIT, UNIVERSAL MATE-N-LOK(TM) | |
| | 3. PLC ± - | PRODUCT SPEC | 108-1031 | |
| | 4. PLC ± - | APPLICATION SPEC | 114-1010 | |
| | ANGLES ± ° ' 30' | SIZE | A1 | CAGE CODE DRAWING NO |
| MATERIAL | FINISH | WEIGHT | 00779 | 350735 |
| NYLON,UL 94V-0 | - | CUSTOMER DRAWING | SCALE | 4:1 |

STE TE Connectivity

RESTRICTED TO: 1 of 1 SHEET REV W4

X-ON Electronics

Largest Supplier of Electrical and Electronic Components

Click to view similar products for [Pin & Socket Connectors](#) category:

Click to view products by [TE Connectivity](#) manufacturer:

Other Similar products are found below :

[6450822-1](#) [770392-1](#) [794042-1](#) [796885-1](#) [8-794535-1](#) [PLR3455ACS-222](#) [R929991004](#) [R929993003](#) [1403611-1](#) [1-480349-5](#) [152302-5](#)
[153211-2](#) [1586092-1](#) [1586129-1](#) [1586681-4](#) [1586700-1](#) [1586368-1](#) [1586380-1](#) [1586616-1](#) [1586680-5](#) [16-06-0038](#) [164164-5](#) [1-6609930-1](#)
[172296-1](#) [19-09-2035](#) [200503-1](#) [200788-2](#) [2029090-4](#) [2029095-4](#) [925061-7](#) [293734-4](#) [293737-2](#) [1-765362-4](#) [1871534-1](#) [200833-4](#)
[2008625-2](#) [2029027-2](#) [2029096-4](#) [R929991000](#) [R929991002](#) [R929993000](#) [319-10-101-00-005000](#) [319-10-102-00-001000](#) [319-10-104-00-001000](#) [319-10-105-00-001000](#) [319-10-108-00-001000](#) [319-10-112-00-006000](#) [39-01-8019](#) [319-10-101-00-001000](#) [319-10-102-00-005000](#)