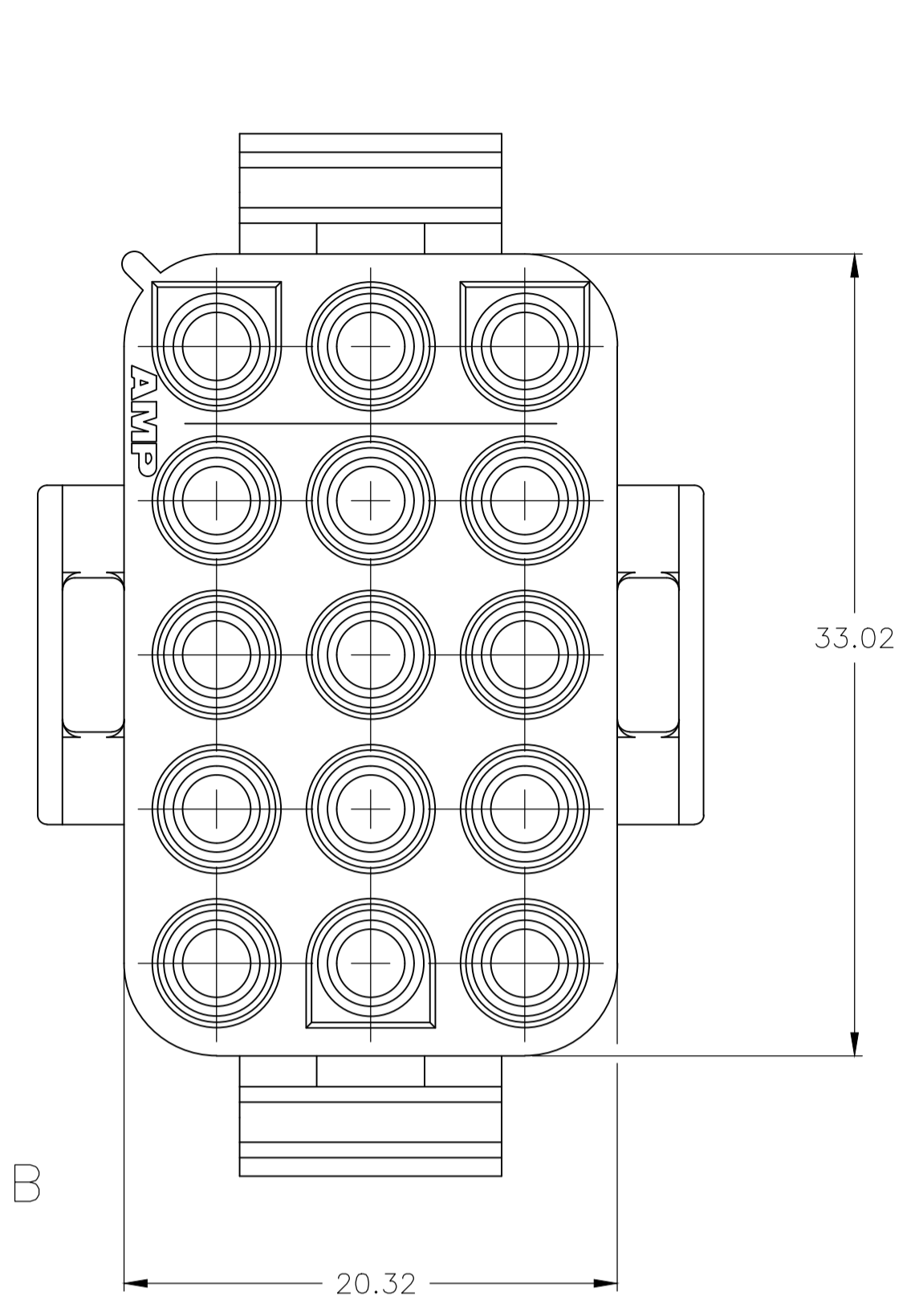
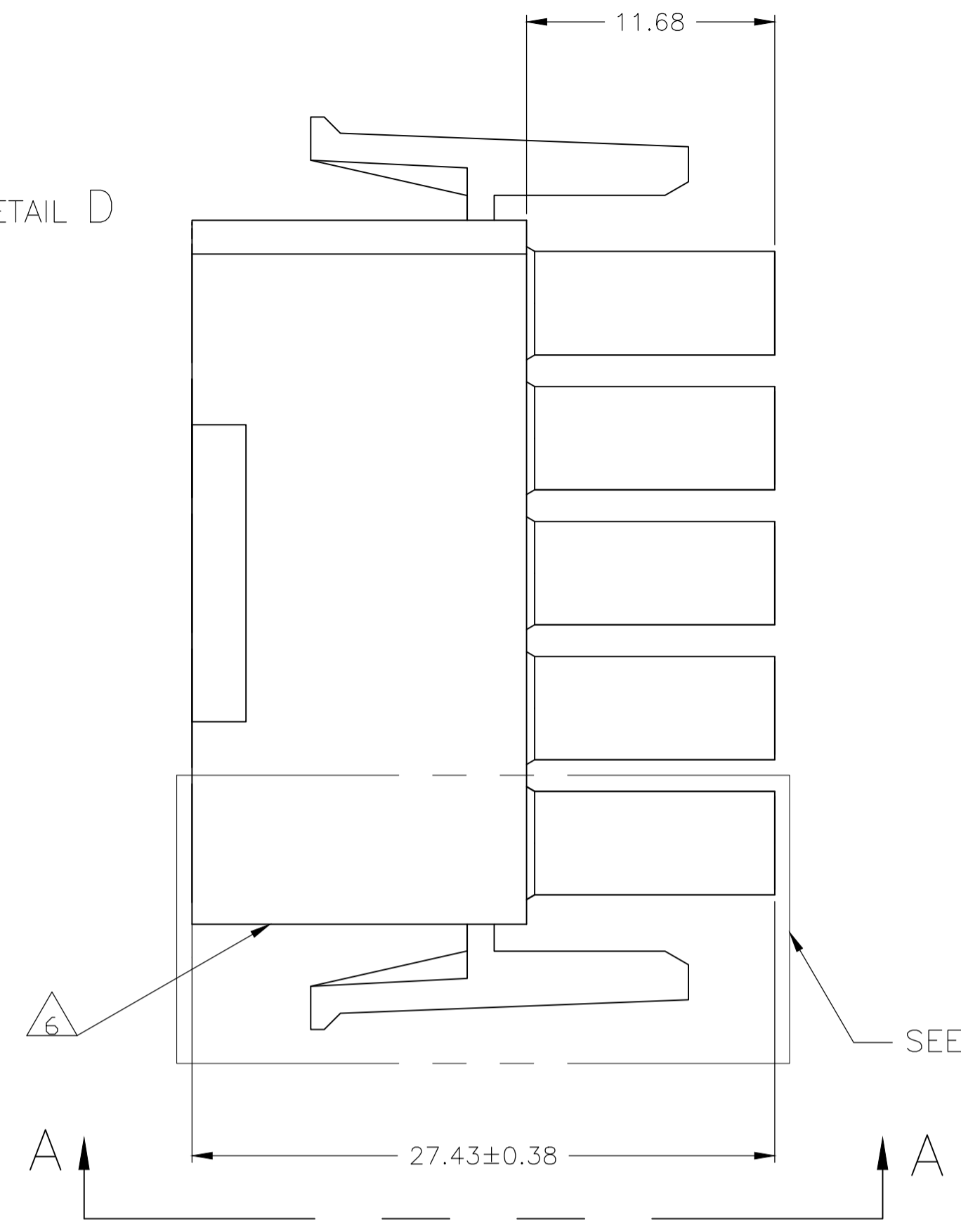
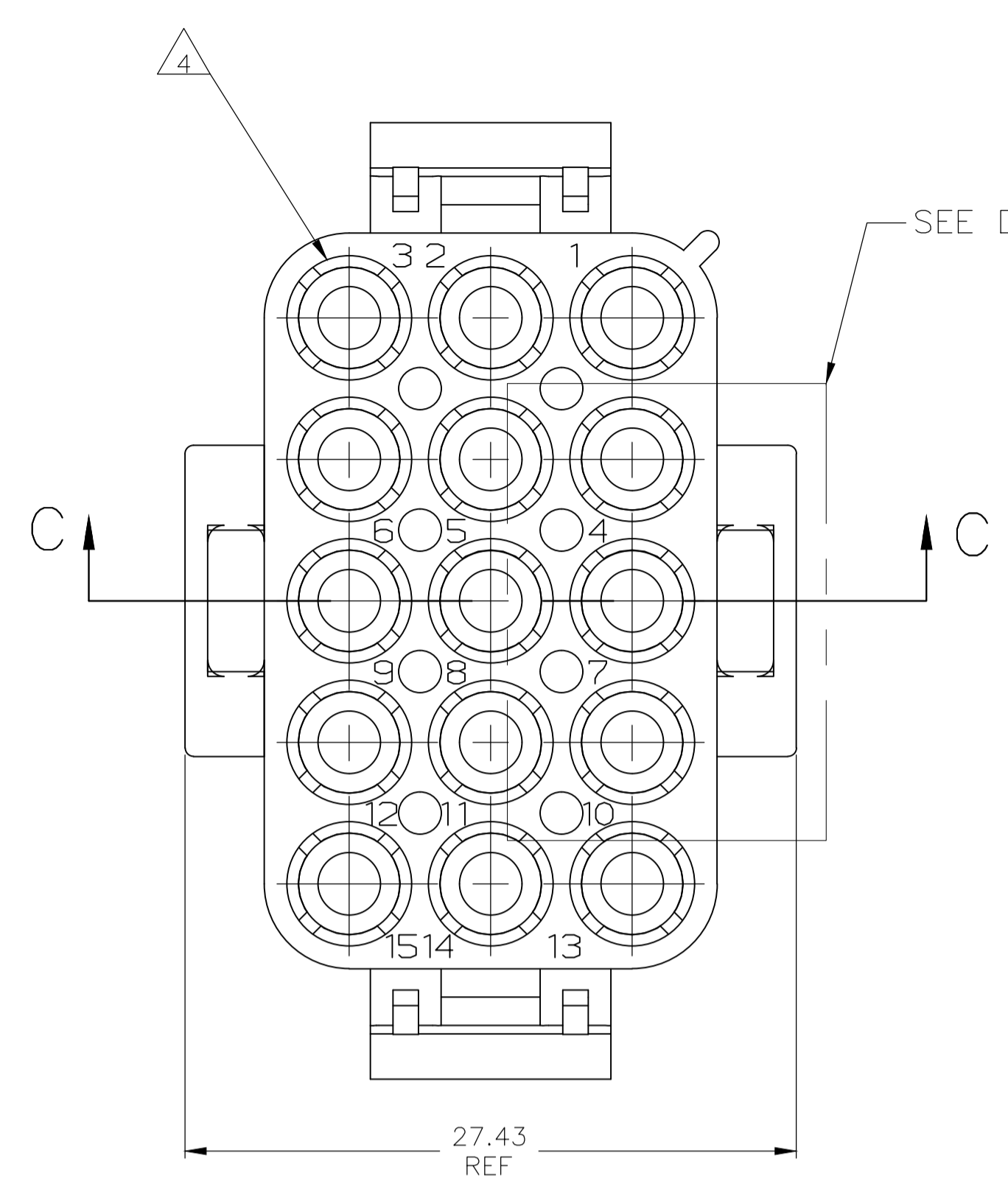
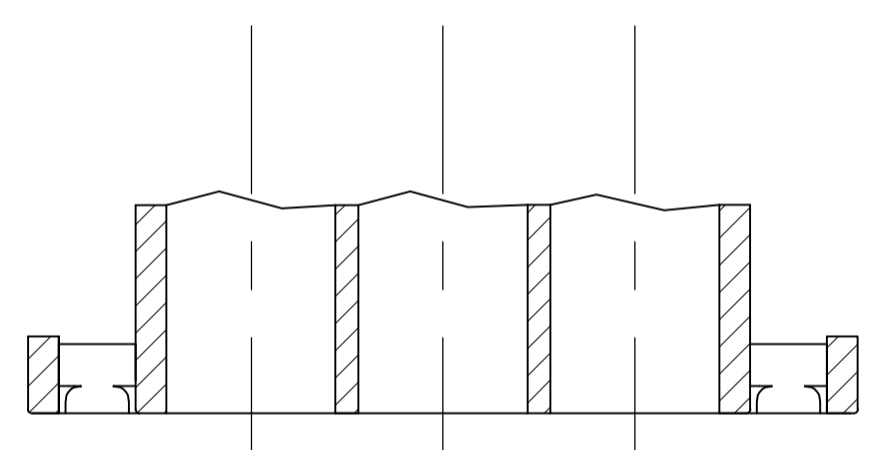
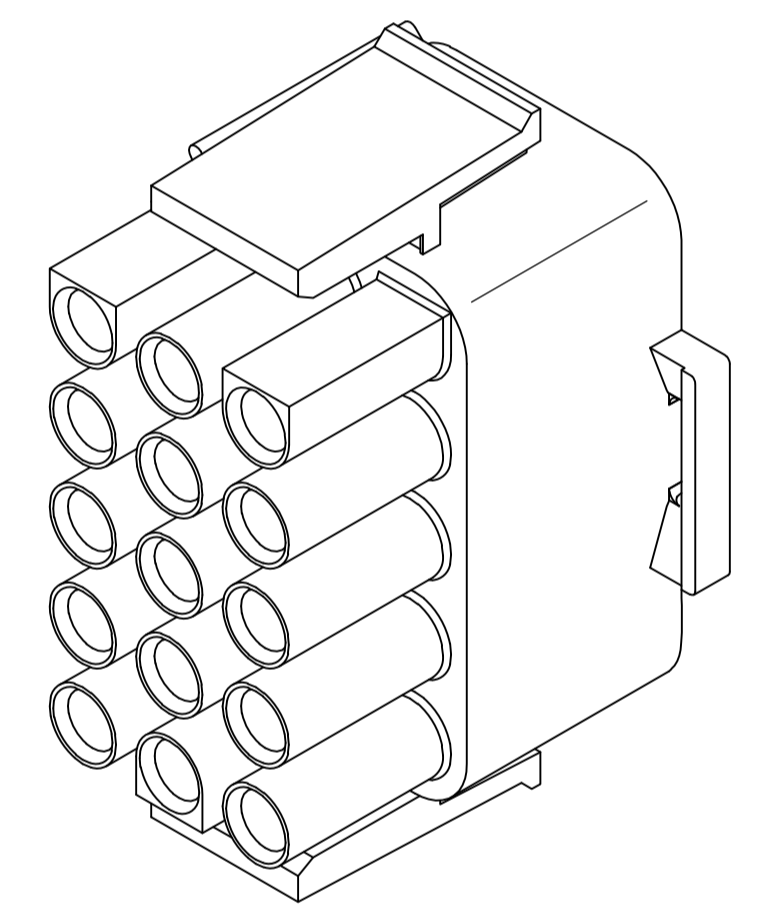
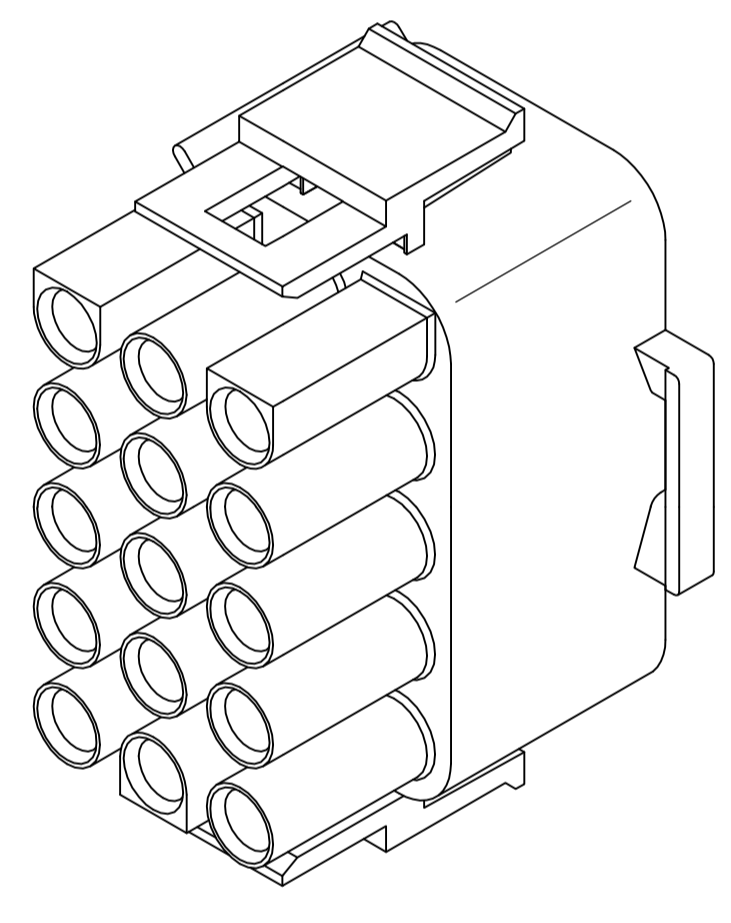


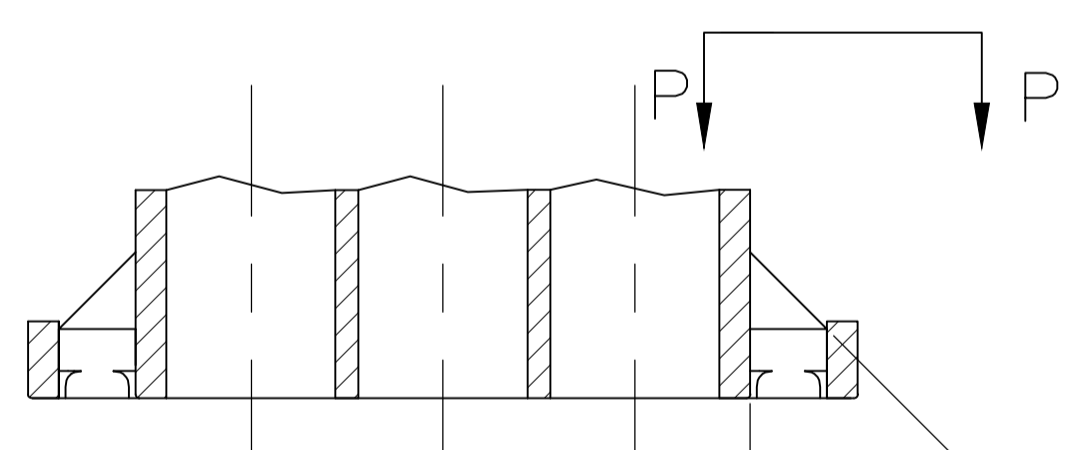
LOC		DIST		REVISIONS			
REV	DATE	DESCRIPTION	DATE	BY	APPV		
CM	53	Z	REVISED PER ECR-19-008106	11JUN2019	BDA FS		



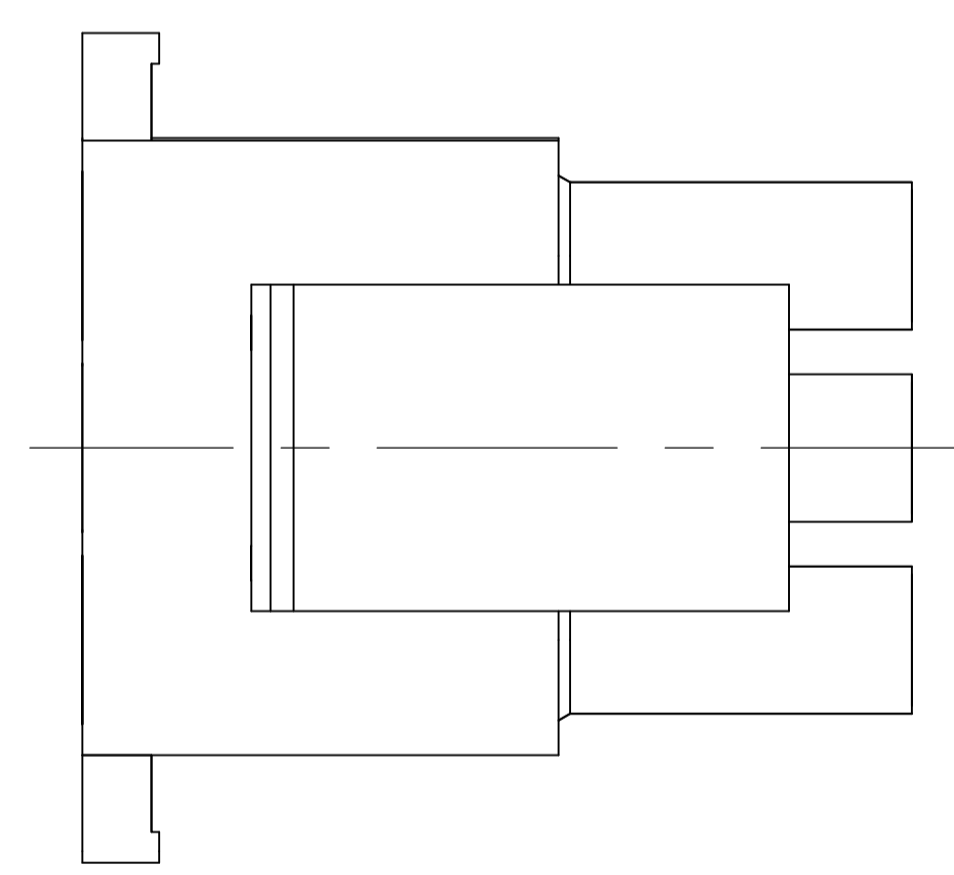
- MATES WITH APPROPRIATE UNIVERSAL MATE-N-LOK™ CAP OR HEADER.
 - SMALL NICKS ARE PERMITTED ON THE CIRCUIT TOWERS WHICH COULD INCREASE THE INITIAL HOUSING MATING FORCE BY UP TO 4.4 NEWTONS [1.0 LBS]. NO INDIVIDUAL NICKED TOWER SHALL INCREASE THIS FORCE BY OVER 2.2 NEWTONS [.5 LBS].
 - DIMENSIONS SHOWN REPRESENT PRODUCT IN DRY, AS MOLDED, CONDITION. ADDITIONAL 2% GROWTH DUE TO SUBSEQUENT MOISTURE ABSORPTION MAY OCCUR AND SHOULD BE ACCOUNTED FOR.
- △4 FOUR RIBS EQUALLY SPACED, NO SPECIFIC ORIENTATION. OR SIX RIBS EQUALLY SPACED, NO SPECIFIC ORIENTATION, OPTIONAL.
 - △5 NOT MANUFACTURED IN U.S.
 - △6 UNDERWRITERS RECOGNIZED COMPONENT LOGO AND CSA CERTIFICATION LOGO TO BE LOCATED ONCE ON EACH SIDE OF HOUSING.



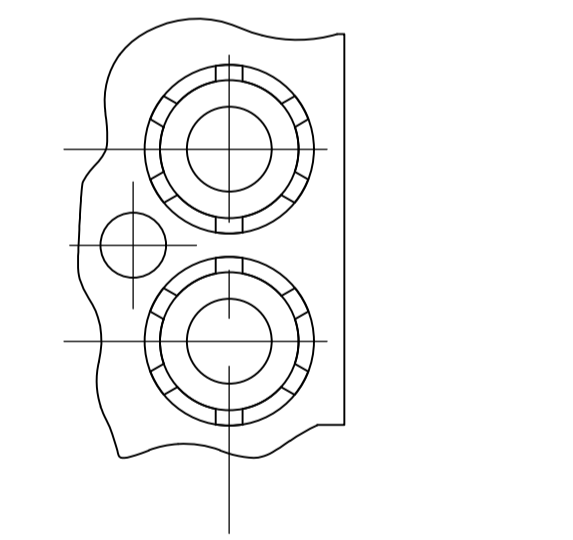
PARTIAL SECTION C-C



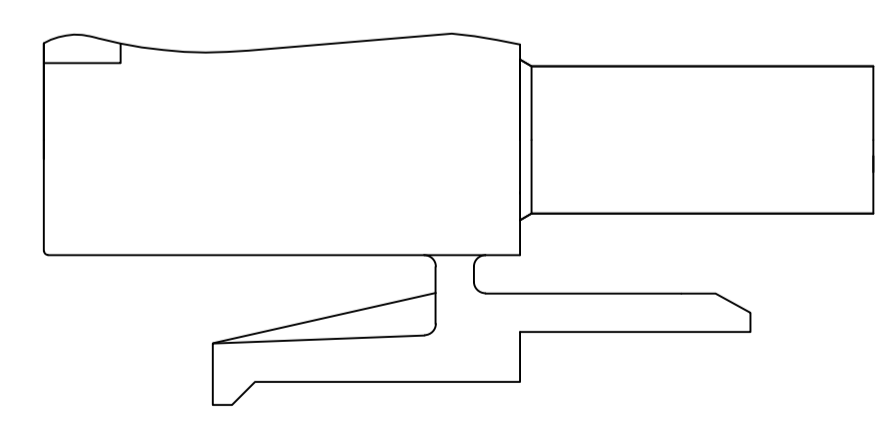
PARTIAL SECTION C-C
OPTIONAL CONSTRUCTION



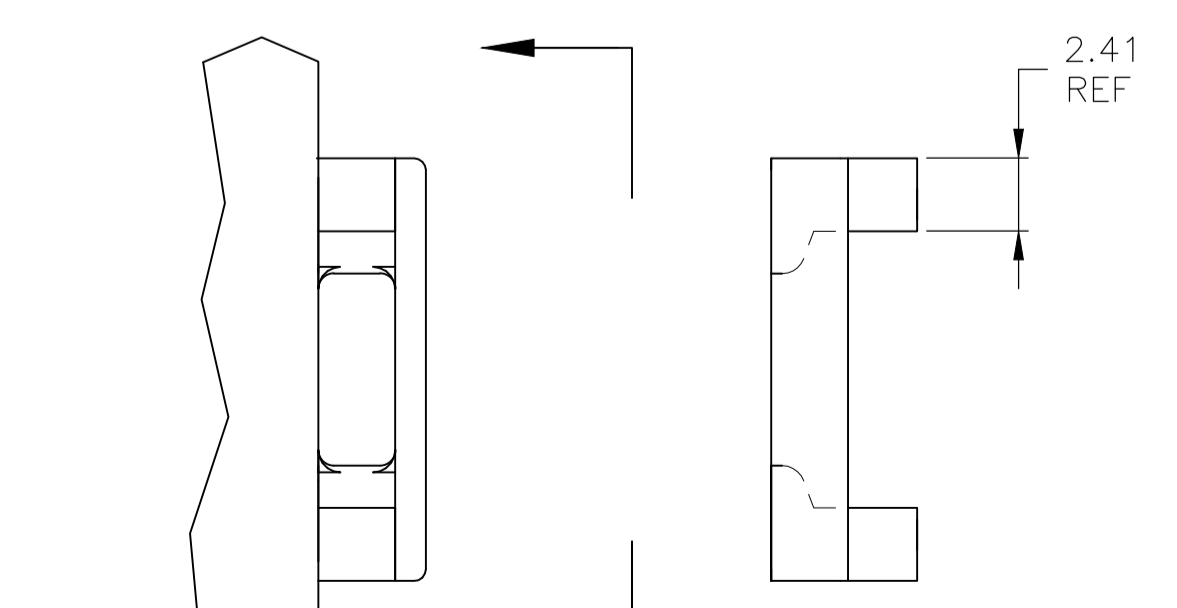
VIEW A-A
350736-4 ONLY



PARTIAL DETAIL D
OPTIONAL CONSTRUCTION



DETAIL B
350736-4 ONLY



VIEW P
OPTIONAL CONSTRUCTIONS

350736-4 3-DIMENSIONAL MODEL NTS

3-DIMENSIONAL MODEL NTS

BLACK	1-350736-9
GRAY	1-350736-8
BLUE	1-350736-6
GREEN	1-350736-5
YELLOW	1-350736-4
ORANGE	1-350736-3
RED	1-350736-2
BROWN	1-350736-1
△	350736-4
NATURAL	350736-1
COLOR	PART NUMBER

THIS DRAWING IS A CONTROLLED DOCUMENT.		DWG: K. WHITAKER 20FEB92	TE Connectivity	
DIMENSIONS: mm		CHK: R. SWING 20FEB92	NAME: PLUG, 15 CIRCUIT, UNIVERSAL MATE-N-LOK™	
TOLERANCES UNLESS OTHERWISE SPECIFIED:		APPV: D. SELF 24FEB92	PRODUCT SPEC: 108-1031	
0. PLC ± -	1. PLC ± -	APPLICATION SPEC: 114-1010		
2. PLC ± 0.13	3. PLC ± -	SIZE: A1		
4. PLC ± -	ANGLES ± 0°30'	CAGE CODE: 00779		
MATERIAL: NYLON, UL 94V-0	FINISH: -	DRAWING NO: 350736		
WEIGHT: -		CUSTOMER DRAWING		
SCALE: 4:1		SHEET 1 OF 1		
REV: Z		REV: Z		

X-ON Electronics

Largest Supplier of Electrical and Electronic Components

Click to view similar products for [Pin & Socket Connectors](#) category:

Click to view products by [TE Connectivity](#) manufacturer:

Other Similar products are found below :

[6450822-1](#) [770392-1](#) [794042-1](#) [796885-1](#) [8-794535-1](#) [PLR3455ACS-222](#) [R929991004](#) [R929993003](#) [1403611-1](#) [1-480349-5](#) [152302-5](#)
[153211-2](#) [1586092-1](#) [1586129-1](#) [1586681-4](#) [1586700-1](#) [1586368-1](#) [1586380-1](#) [1586616-1](#) [1586680-5](#) [16-06-0038](#) [164164-5](#) [1-6609930-1](#)
[172296-1](#) [19-09-2035](#) [200503-1](#) [200788-2](#) [2029090-4](#) [2029095-4](#) [925061-7](#) [293734-4](#) [293737-2](#) [1-765362-4](#) [1871534-1](#) [200833-4](#)
[2008625-2](#) [2029027-2](#) [2029096-4](#) [R929991000](#) [R929991002](#) [R929993000](#) [319-10-101-00-005000](#) [319-10-102-00-001000](#) [319-10-104-00-001000](#) [319-10-105-00-001000](#) [319-10-108-00-001000](#) [319-10-112-00-006000](#) [39-01-8019](#) [319-10-101-00-001000](#) [319-10-102-00-005000](#)