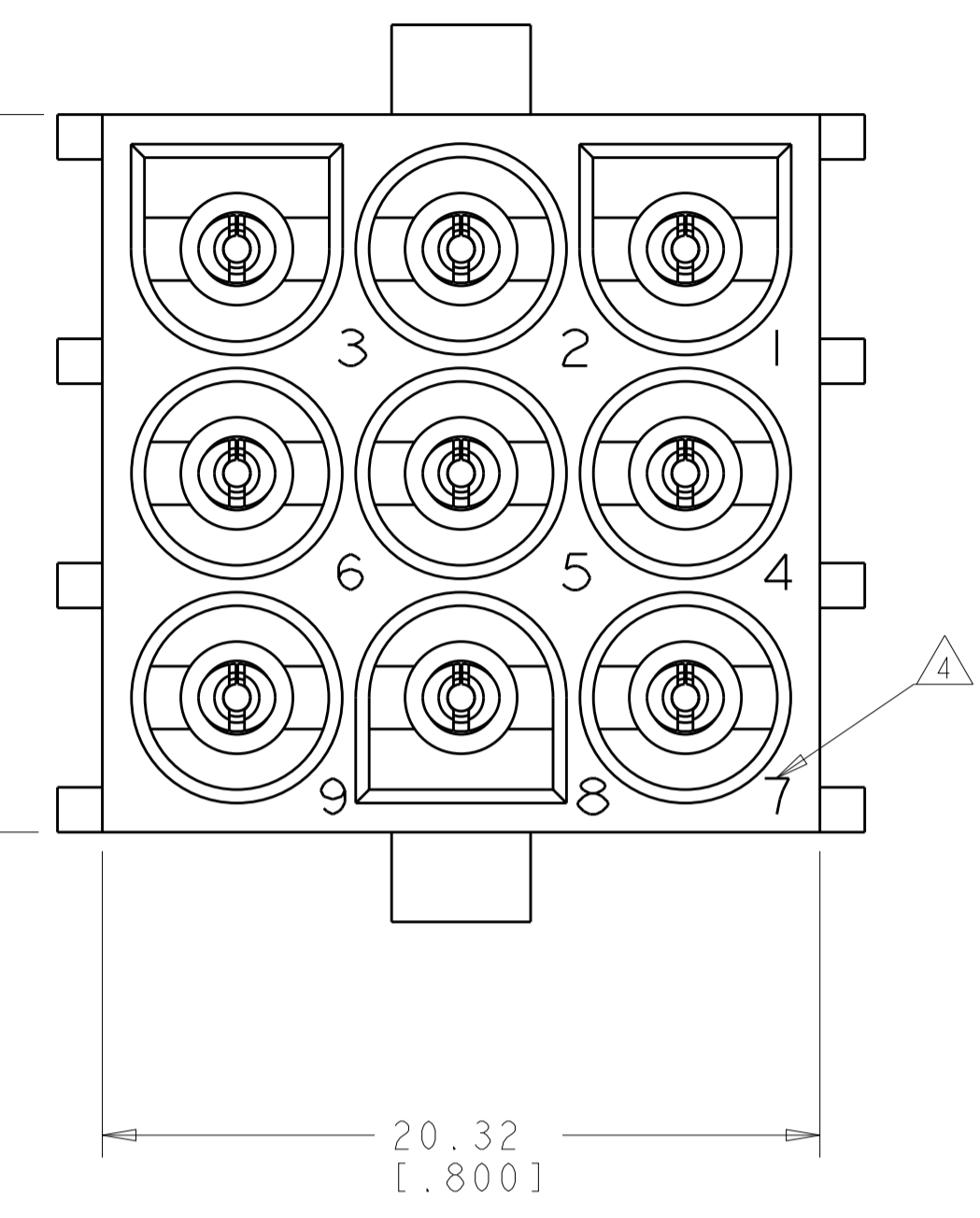
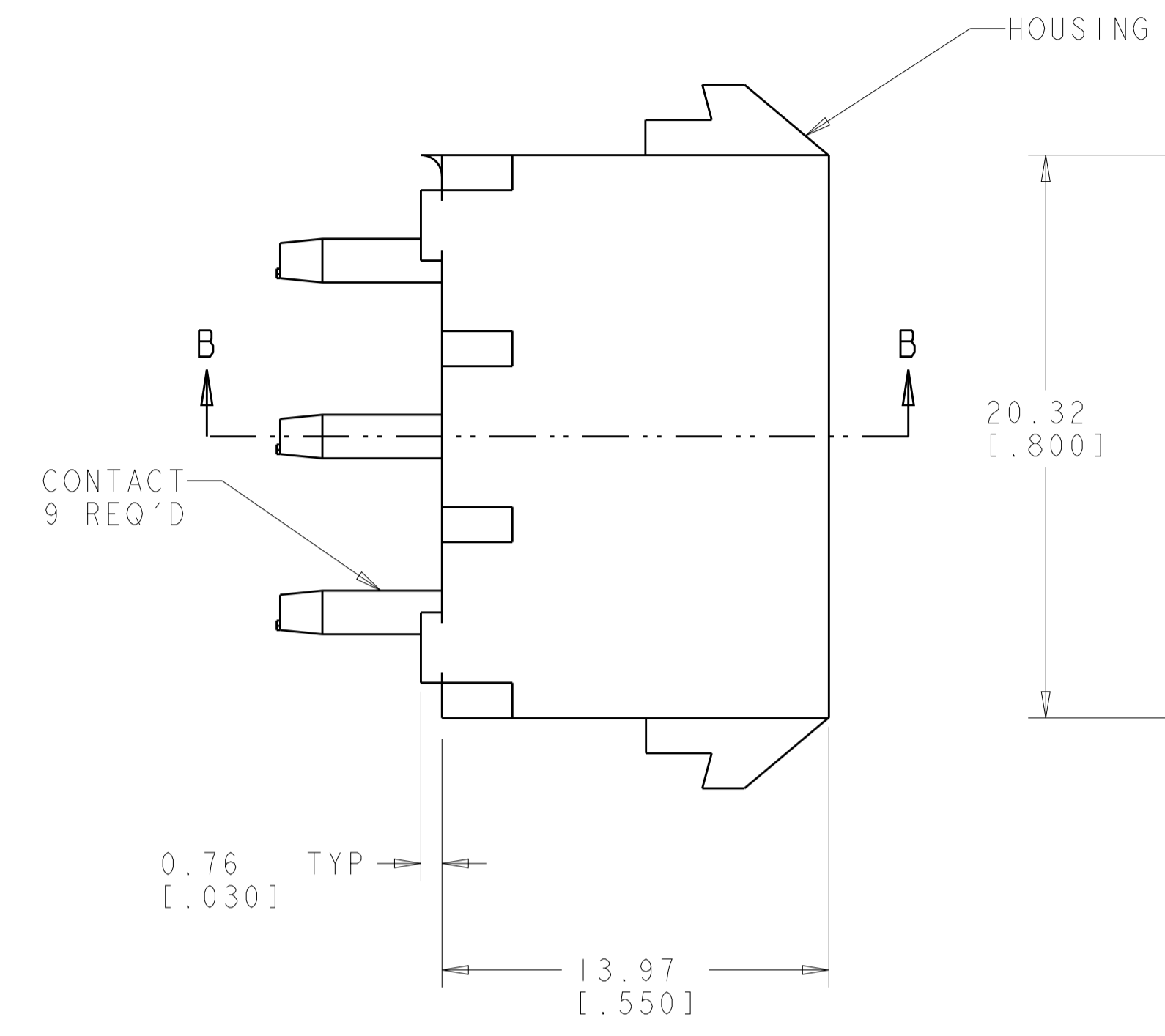
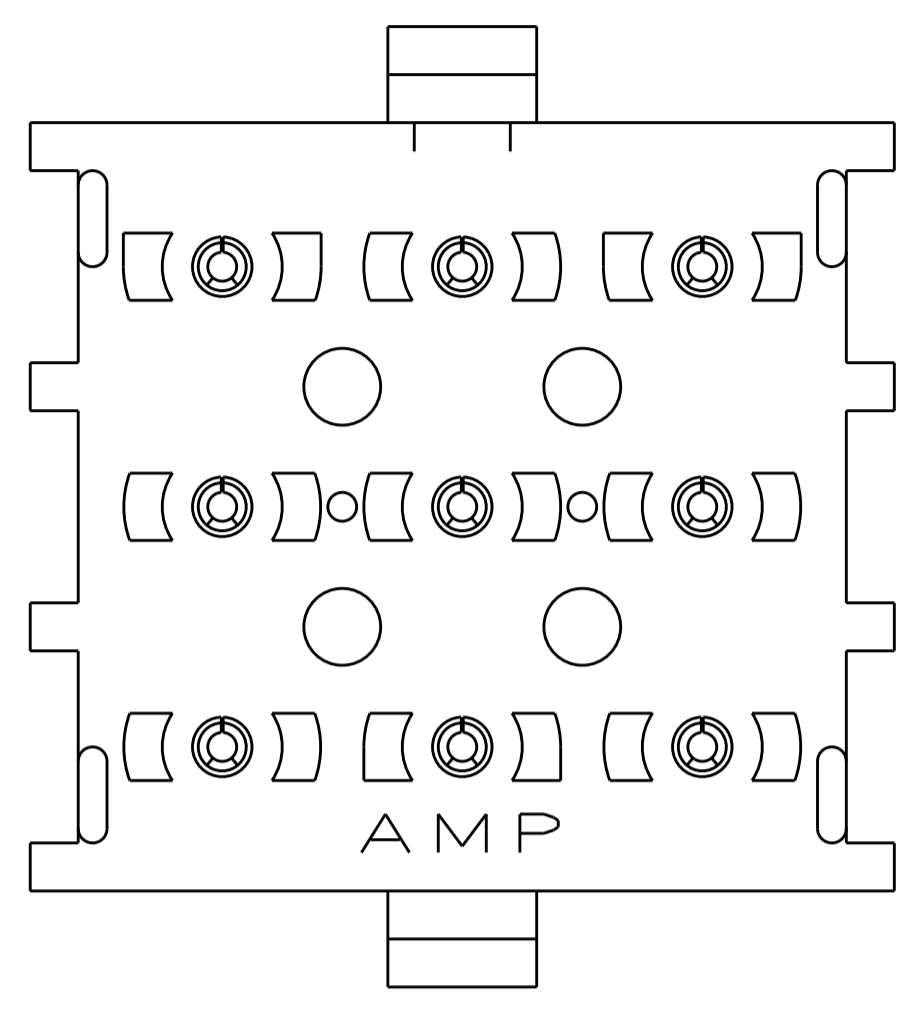
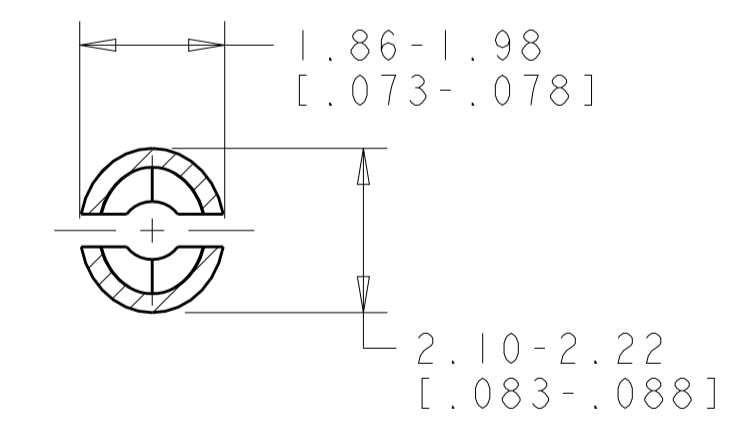
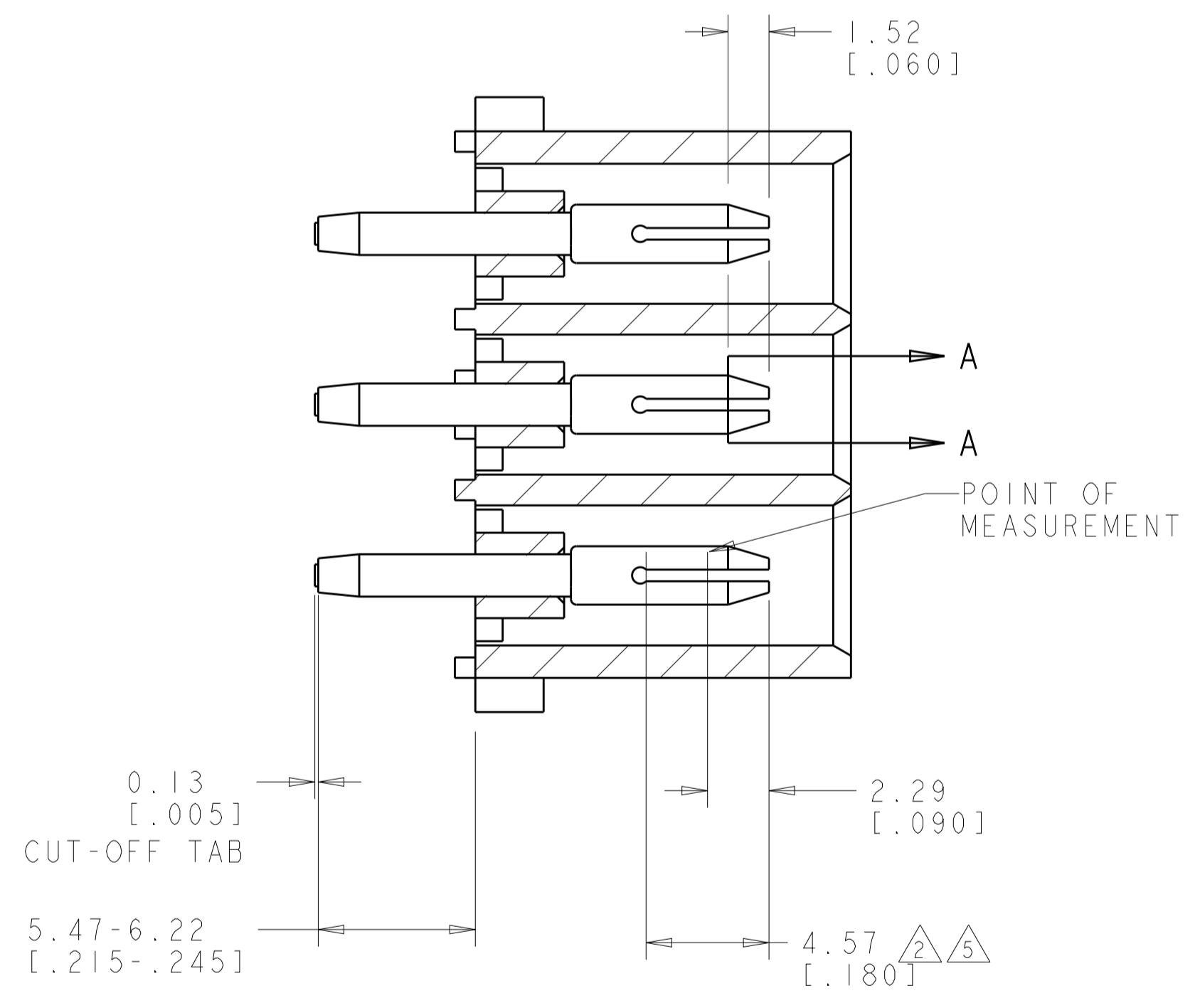


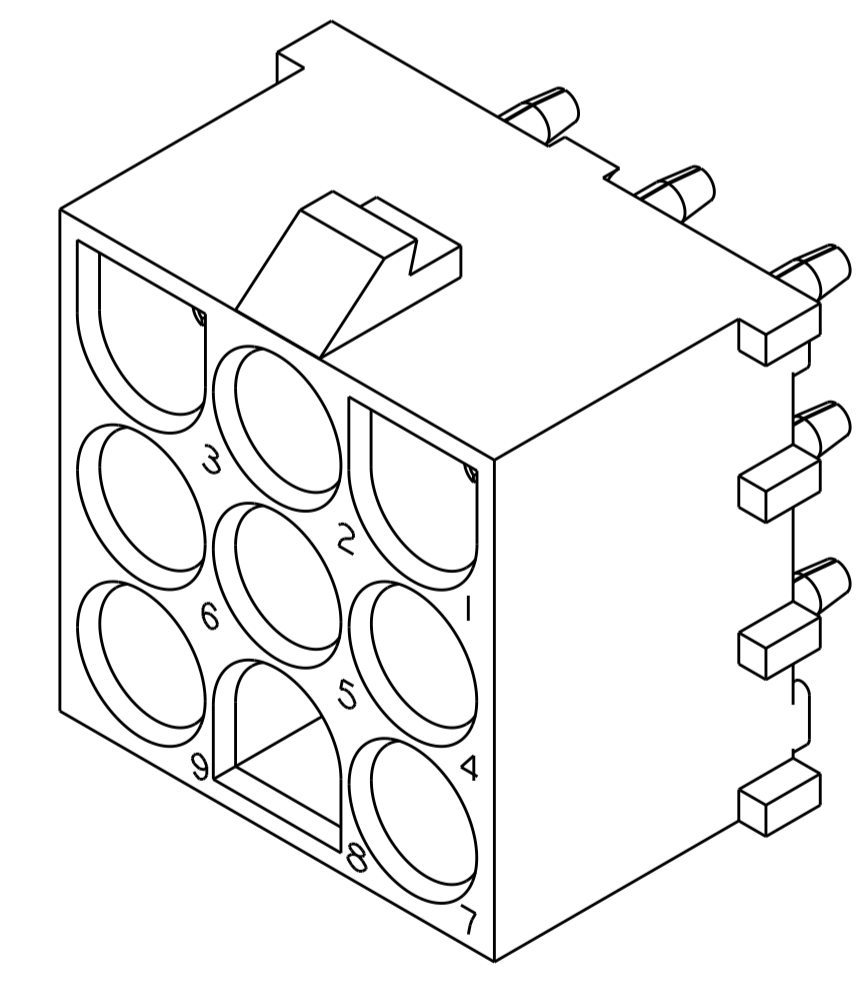
| LOC | DIST | REVISIONS | | | |
|-----|------|---------------------------|-----------|-----|------|
| P | LTN | DESCRIPTION | DATE | DWN | APVD |
| P1 | | REVISED PER ECR-12-011660 | 04FEB2013 | KH | TM |



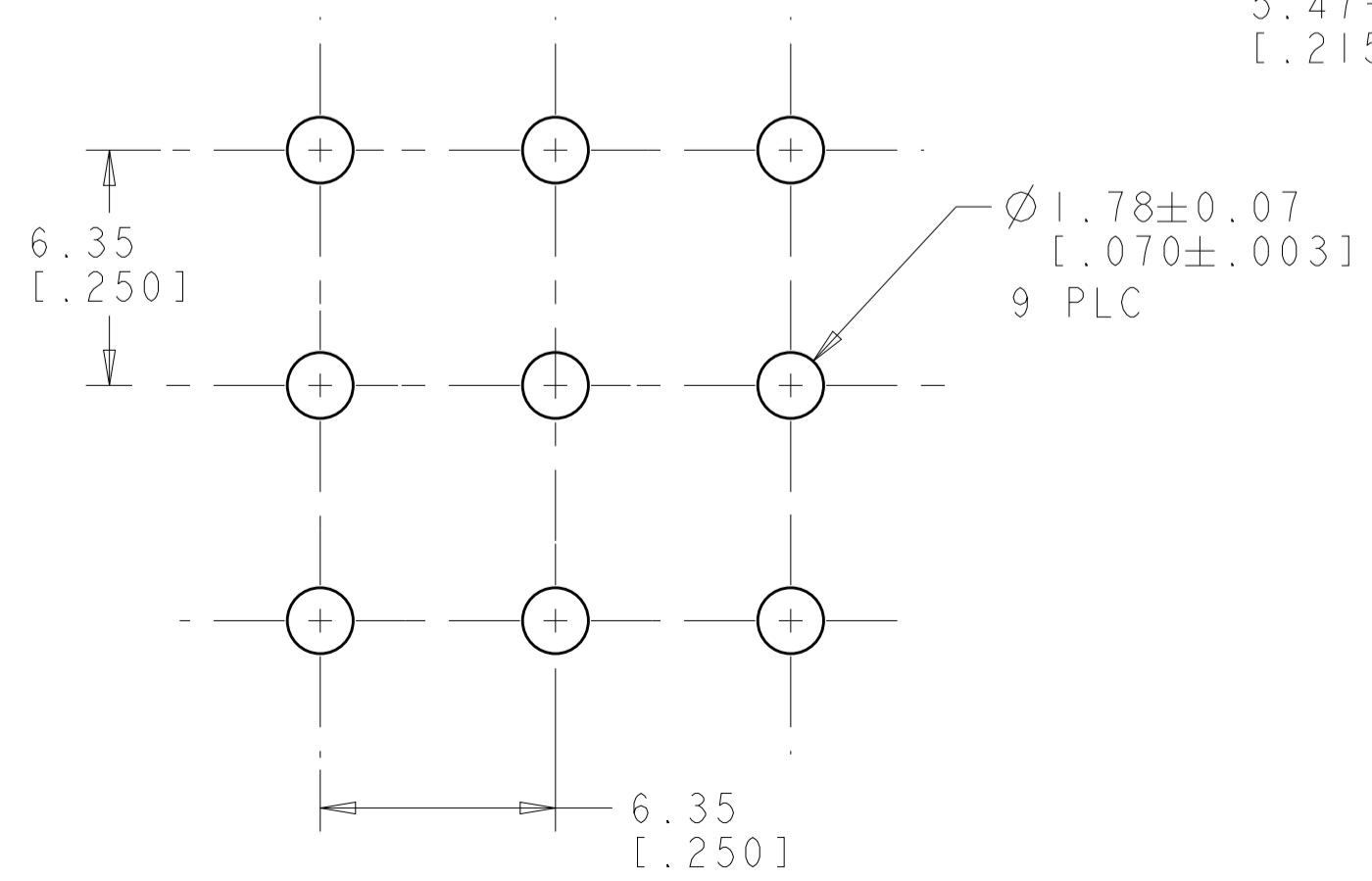
- PARTS COMPLY TO AMP SOLDERABILITY SPECIFICATION 109-11-3.
- CONTACT IS PLATED OVERALL WITH 0.00127 [.000050] NICKEL, THEN 0.00076 [.000030] GOLD OVER CONTACT LENGTH INDICATED AND TIN LEAD ON SOLDER TAIL END.
- MATES WITH HOUSING 350720.
- CIRCUIT IDENTIFICATION CHARACTERS ARE ADJACENT TO THE INDICATED CAVITIES, BUT LOCATION AND ORIENTATION MAY DIFFER FROM PRINT.
- CONTACT IS PLATED OVERALL WITH 0.00127 [.000050] NICKEL, THEN 0.00076 [.000030] GOLD OVER CONTACT LENGTH INDICATED AND MATTE TIN ON SOLDER TAIL END.
- DIMENSIONS IN BRACKETS ARE IN INCHES.
- SUPERSEDED BY 350742-4



SECTION A-A
SCALE 10:1



3 DIMENSIONAL MODEL
SCALE 4:1



RECOMMENDED MOUNTING HOLE PATTERN
FOR 1.57 [.062] THICK P.C. BOARD

| PHOSPOR BRONZE, GOLD | NYLON, UL94V-0, NATURAL | 350742-4 |
|---------------------------------|----------------------------|-------------|
| PHOSPOR BRONZE, GOLD | NYLON, UL94V-0, NATURAL | 350742-2 |
| PHOSPOR BRONZE, PRE-TIN | NYLON, UL94V-0, NATURAL | 350742-1 |
| PIN CONTACT MATERIAL AND FINISH | HOUSING MATERIAL AND COLOR | PART NUMBER |

| | | | |
|--|------------------|----------------------------|---|
| THIS DRAWING IS A CONTROLLED DOCUMENT. | | DWN: R. WHITAKER 05OCT2005 | TE Connectivity |
| DIMENSIONS: mm [INCHES] | | CHK: S. RIDGILL 05OCT2005 | |
| TOLERANCES UNLESS OTHERWISE SPECIFIED: | | APVD: S. RIDGILL 05OCT2005 | NAME: PIN HEADER ASSEMBLY, 9 CIRCUIT, LONG TAIL, UNIVERSAL MATE-N-LOK(TM) |
| 0 PLC ± | 1 PLC ± | PRODUCT SPEC | SIZE: A1 |
| 2 PLC ±0.13(.005) | 3 PLC ± | APPLICATION SPEC | CAGE CODE: 350742 |
| 4 PLC ± | 5 PLC ± | WEIGHT | RESTRICTED TO |
| ANGLES 40°/30° | FINISH SEE TABLE | CUSTOMER DRAWING | SCALE: 1:1 SHEET 1 OF 1 REV: P1 |

X-ON Electronics

Largest Supplier of Electrical and Electronic Components

Click to view similar products for [Pin & Socket Connectors](#) category:

Click to view products by [TE Connectivity](#) manufacturer:

Other Similar products are found below :

[6450822-1](#) [770392-1](#) [794042-1](#) [796885-1](#) [8-794535-1](#) [PLR3455ACS-222](#) [R929991004](#) [R929993003](#) [1403611-1](#) [1-480349-5](#) [152302-5](#)
[153211-2](#) [1586092-1](#) [1586129-1](#) [1586681-4](#) [1586700-1](#) [1586368-1](#) [1586380-1](#) [1586616-1](#) [1586680-5](#) [16-06-0038](#) [164164-5](#) [1-6609930-1](#)
[172296-1](#) [19-09-2035](#) [200503-1](#) [200788-2](#) [2029090-4](#) [2029095-4](#) [925061-7](#) [293734-4](#) [293737-2](#) [1-765362-4](#) [1871534-1](#) [200833-4](#)
[2008625-2](#) [2029027-2](#) [2029096-4](#) [R929991000](#) [R929991002](#) [R929993000](#) [319-10-101-00-005000](#) [319-10-102-00-001000](#) [319-10-104-00-001000](#) [319-10-105-00-001000](#) [319-10-108-00-001000](#) [319-10-112-00-006000](#) [39-01-8019](#) [319-10-101-00-001000](#) [319-10-102-00-005000](#)