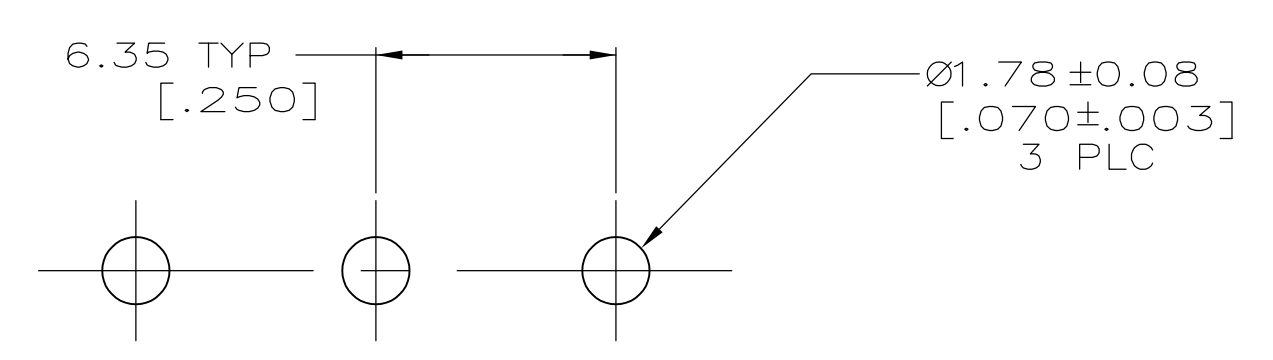
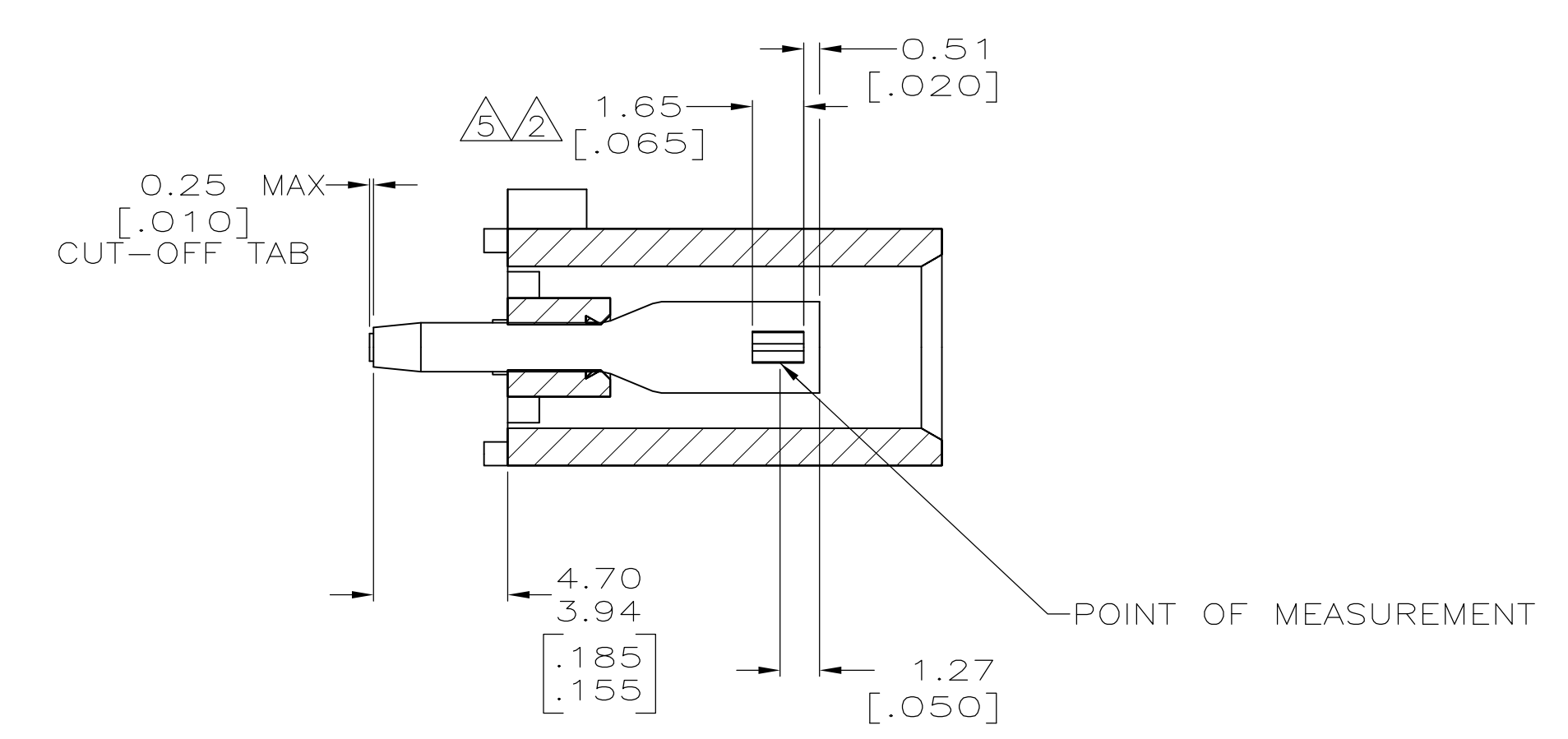
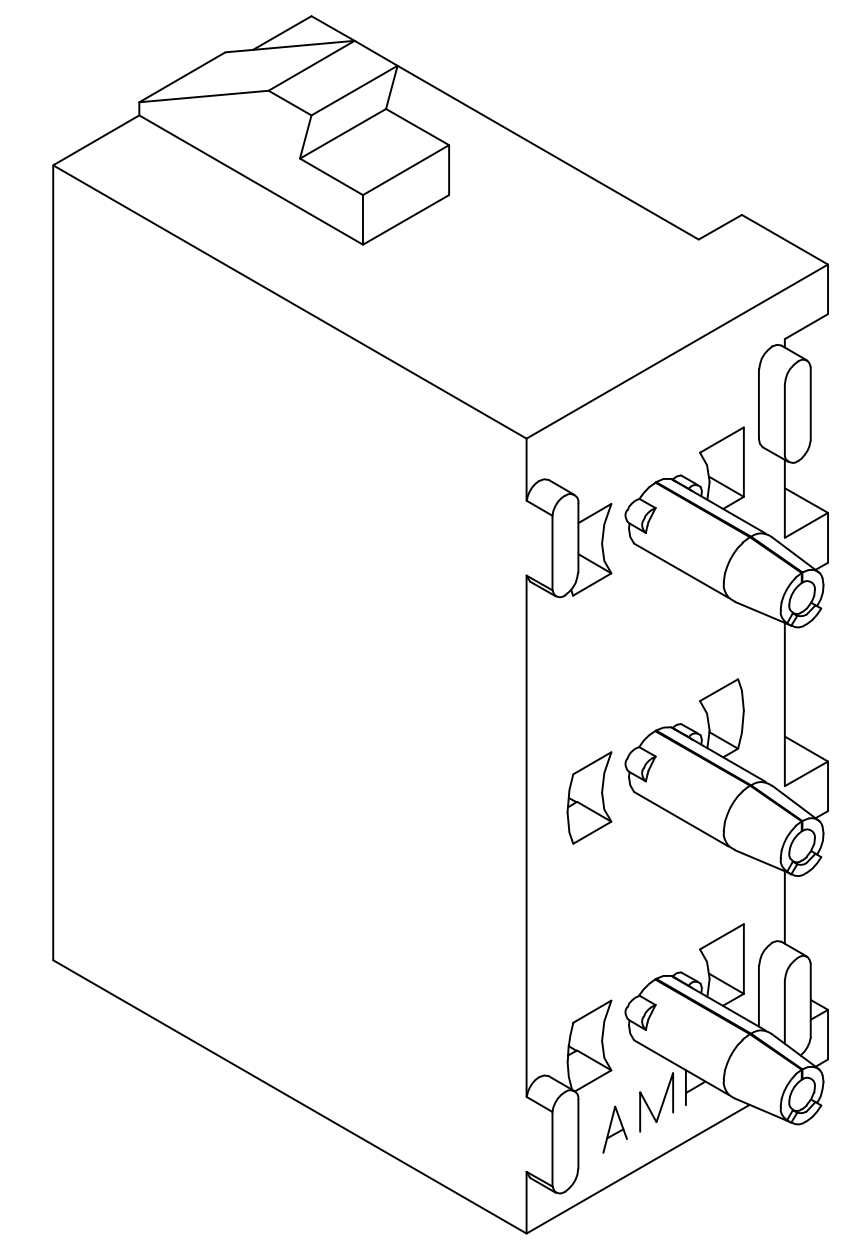


- 1 PARTS COMPLY TO AMP SOLDERABILITY SPECIFICATION 109-11-3.
- 2 CONTACT IS PLATED OVERALL WITH 0.00127 [.000050] NICKEL, THEN 0.00076 [.000030] GOLD OVER CONTACT LENGTH INDICATED AND MATTE TIN LEAD ON SOLDER TAIL END.
- 3 CIRCUIT IDENTIFICATION CHARACTERS ARE ADJACENT TO THE INDICATED CAVITIES, BUT LOCATION AND ORIENTATION MAY DIFFER FROM PRINT.
- 4 DIMENSIONS IN BRACKETS ARE IN INCHES.
- 5 CONTACT IS PLATED OVERALL WITH 0.00127 [.000050] NICKEL, THEN 0.00076 [.000030] GOLD OVER CONTACT LENGTH INDICATED AND MATTE TIN ON SOLDER TAIL END.
- 6 SUPERSEDED BY 350760-5



RECOMMENDED MOUNTING HOLE PATTERN FOR 1.57 [.062] THICK P.C. BOARD



3-DIMENSIONAL MODEL NTS

| | | |
|-----------------------------|-------------------------|-------------|
| PHOSPHOR BRONZE, GOLD | NYLON, UL94V-2, NATURAL | 350760-5 |
| PHOSPHOR BRONZE, PRE-TIN | NYLON, UL94V-2, NATURAL | 350760-4 |
| PHOSPHOR BRONZE, GOLD | NYLON, UL94V-2, NATURAL | 350760-3 |
| CONTACT MATERIAL AND FINISH | HOUSING MATERIAL | PART NUMBER |

| | | | |
|--|------------------|----------------------|-------------------------------|
| THIS DRAWING IS A CONTROLLED DOCUMENT. | | DIN R LEWIS 8-19-98 | TE Connectivity |
| DIMENSIONS: mm [INCHES] | | CIK R SWING 8-19-98 | |
| TOLERANCES UNLESS OTHERWISE SPECIFIED: | | APVD M TRULL 8-19-98 | NAME |
| 0 PLC ± - | 1 PLC ± - | 2 PLC ± 0.13 [.005] | PRODUCT SPEC |
| 3 PLC ± - | 4 PLC ± - | ANGLES ± ± 0°30' | APPLICATION SPEC |
| MATERIAL SEE TABLE | FINISH SEE TABLE | WEIGHT - | SIZE CASE CODE DRAWING NO |
| | | A1 00779 C=350760 | RESTRICTED TO |
| | | CUSTOMER DRAWING | SCALE 5:1 SHEET 1 OF 1 REV T2 |

X-ON Electronics

Largest Supplier of Electrical and Electronic Components

Click to view similar products for [Pin & Socket Connectors](#) category:

Click to view products by [TE Connectivity](#) manufacturer:

Other Similar products are found below :

[6450822-1](#) [770392-1](#) [794042-1](#) [796885-1](#) [8-794535-1](#) [PLR3455ACS-222](#) [R929991004](#) [R929993003](#) [1403611-1](#) [1-480349-5](#) [152302-5](#)
[153211-2](#) [1586092-1](#) [1586129-1](#) [1586681-4](#) [1586700-1](#) [1586368-1](#) [1586380-1](#) [1586616-1](#) [1586680-5](#) [16-06-0038](#) [164164-5](#) [1-6609930-1](#)
[172296-1](#) [19-09-2035](#) [200503-1](#) [200788-2](#) [2029090-4](#) [2029095-4](#) [925061-7](#) [293734-4](#) [293737-2](#) [1-765362-4](#) [1-794606-3](#) [1871534-1](#)
[200833-4](#) [2008625-2](#) [2029027-2](#) [2029096-4](#) [R929991000](#) [R929991002](#) [R929993000](#) [319-10-101-00-005000](#) [319-10-102-00-001000](#)
[319-10-104-00-001000](#) [319-10-105-00-001000](#) [319-10-108-00-001000](#) [319-10-112-00-006000](#) [39-01-8019](#) [319-10-101-00-001000](#)