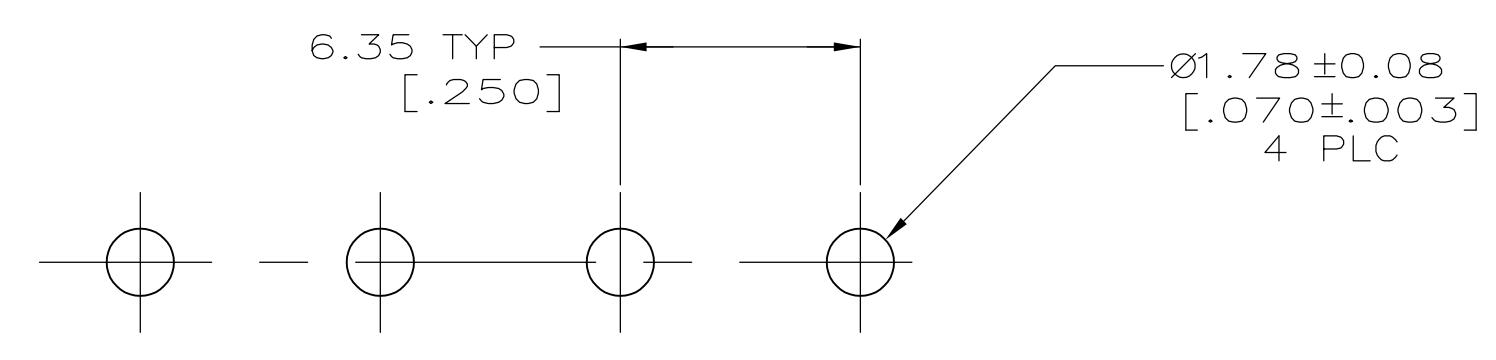
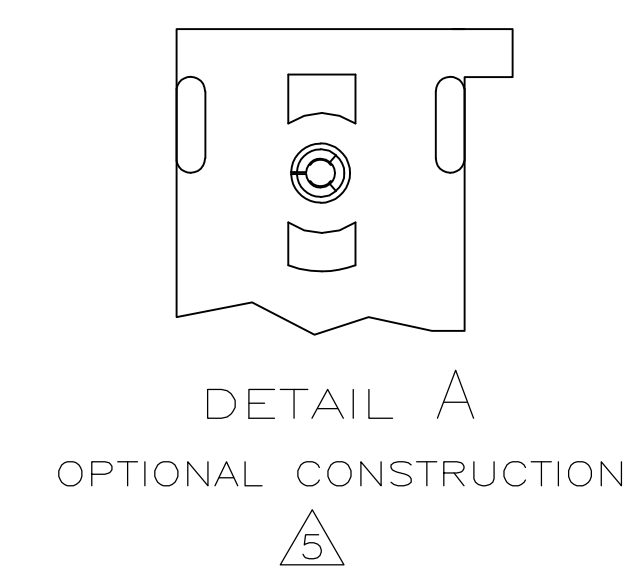
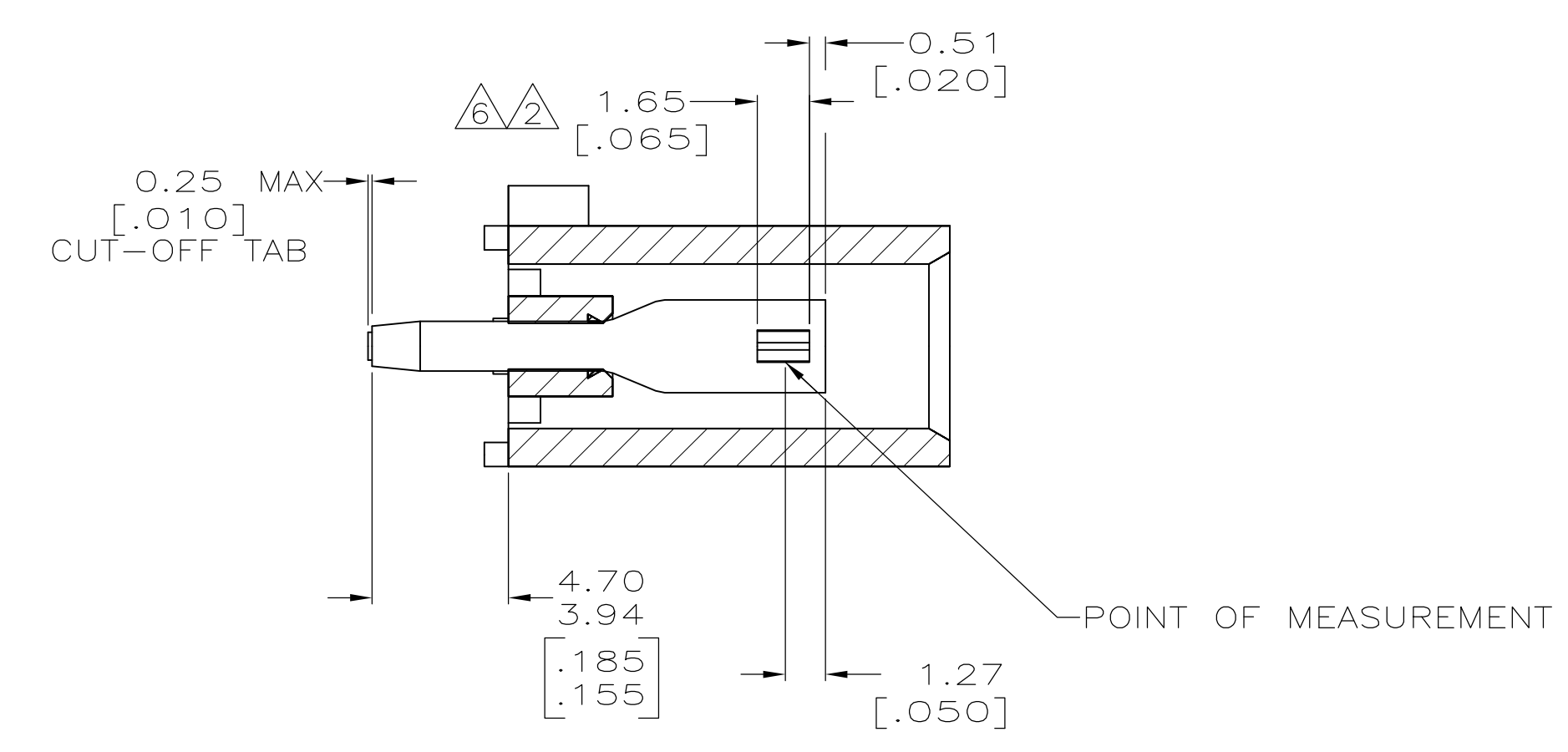
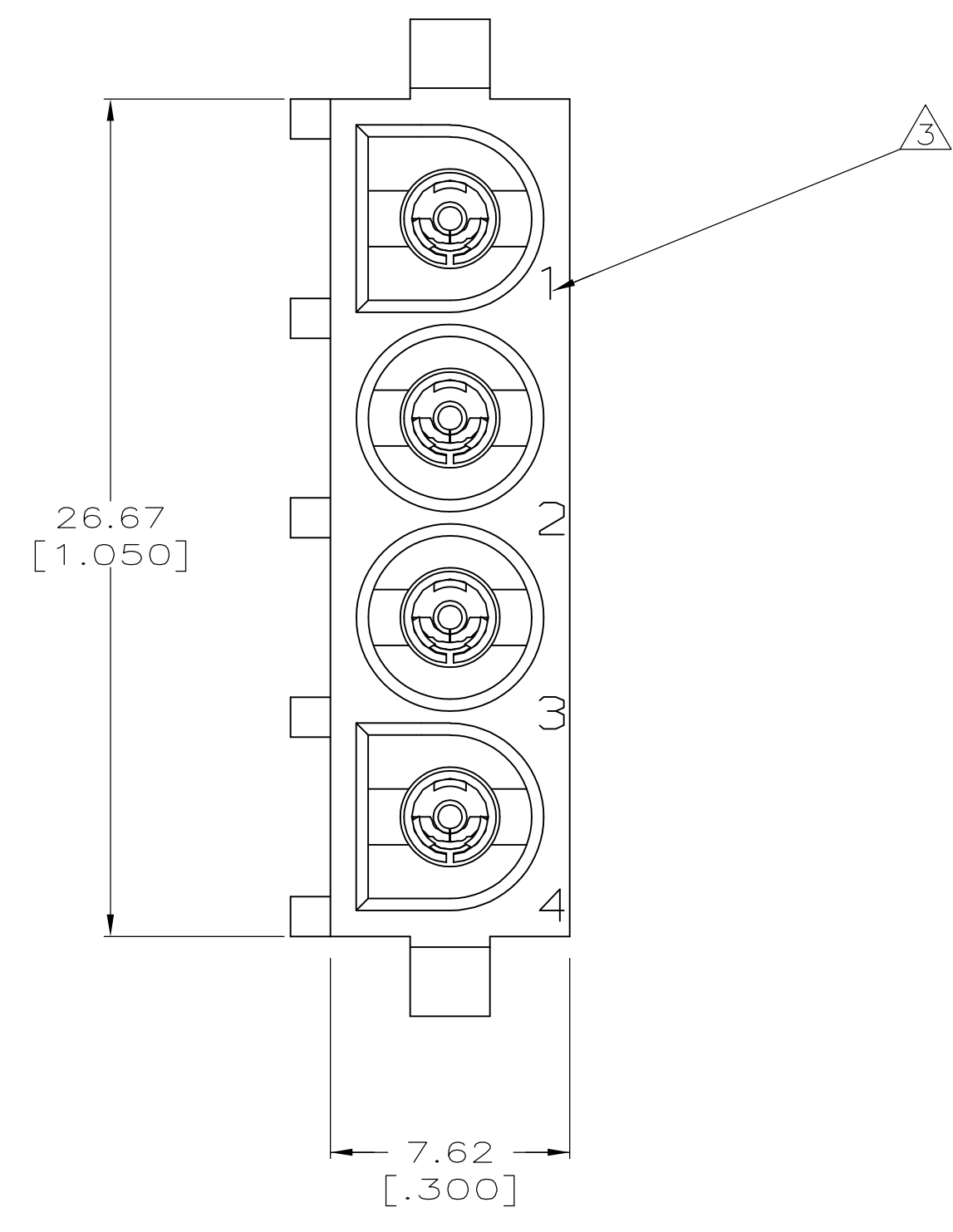
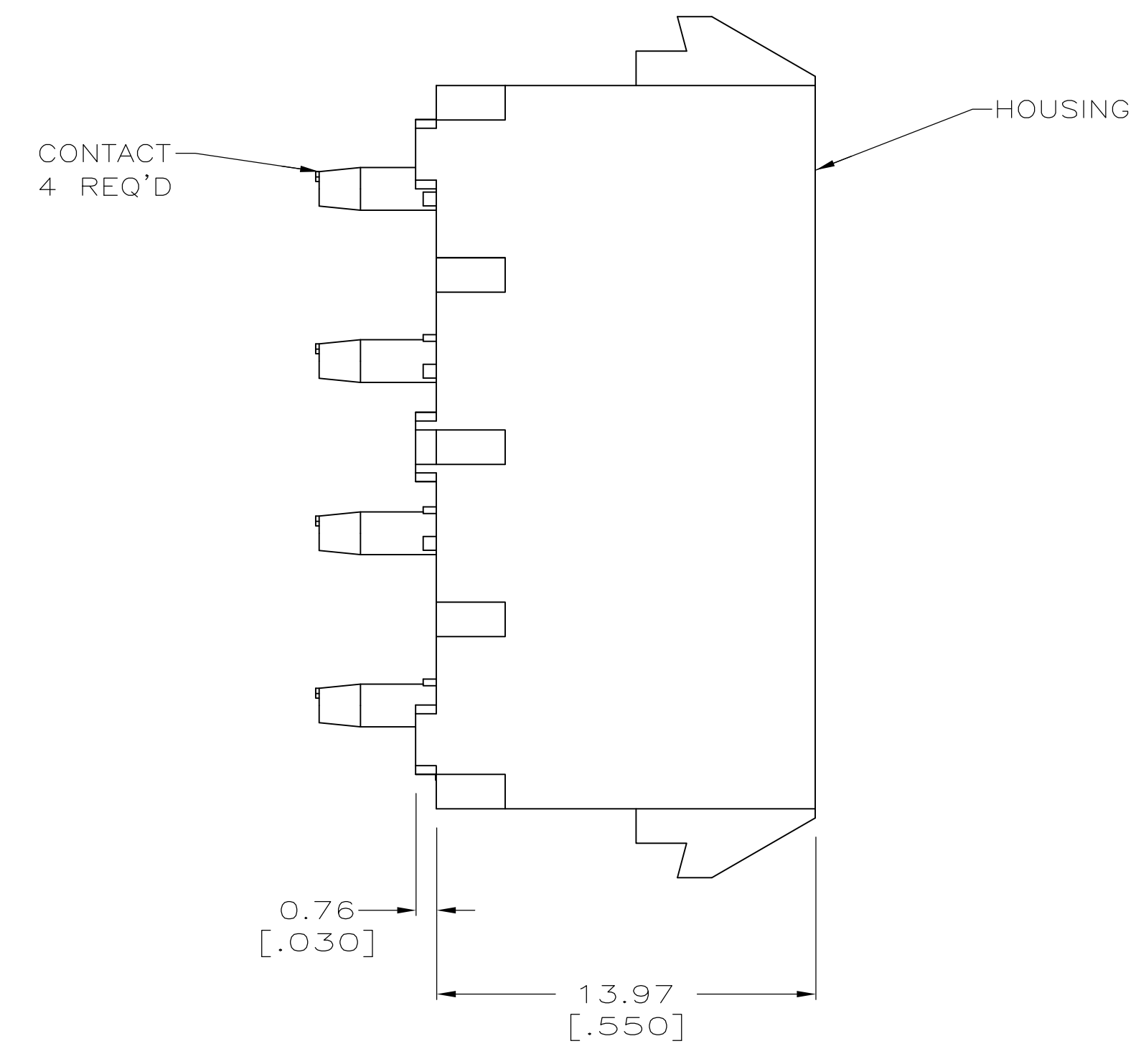
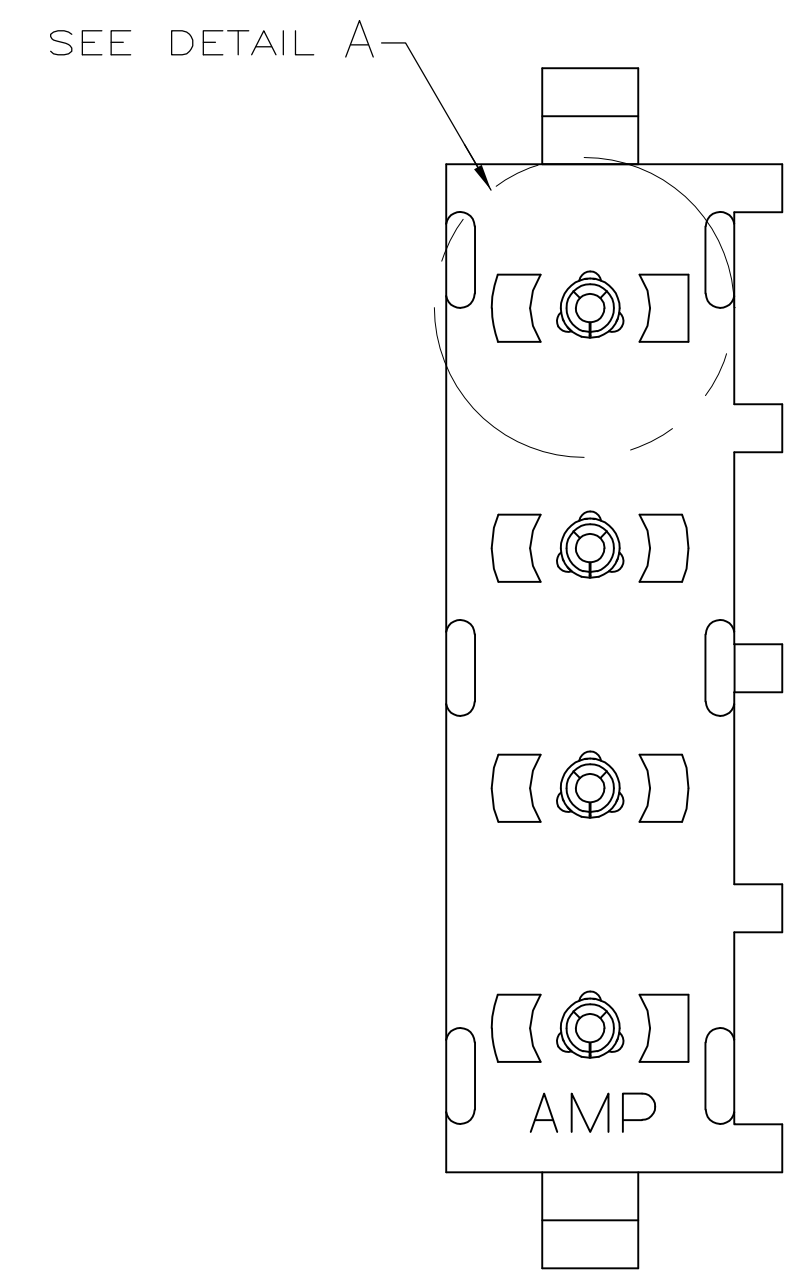
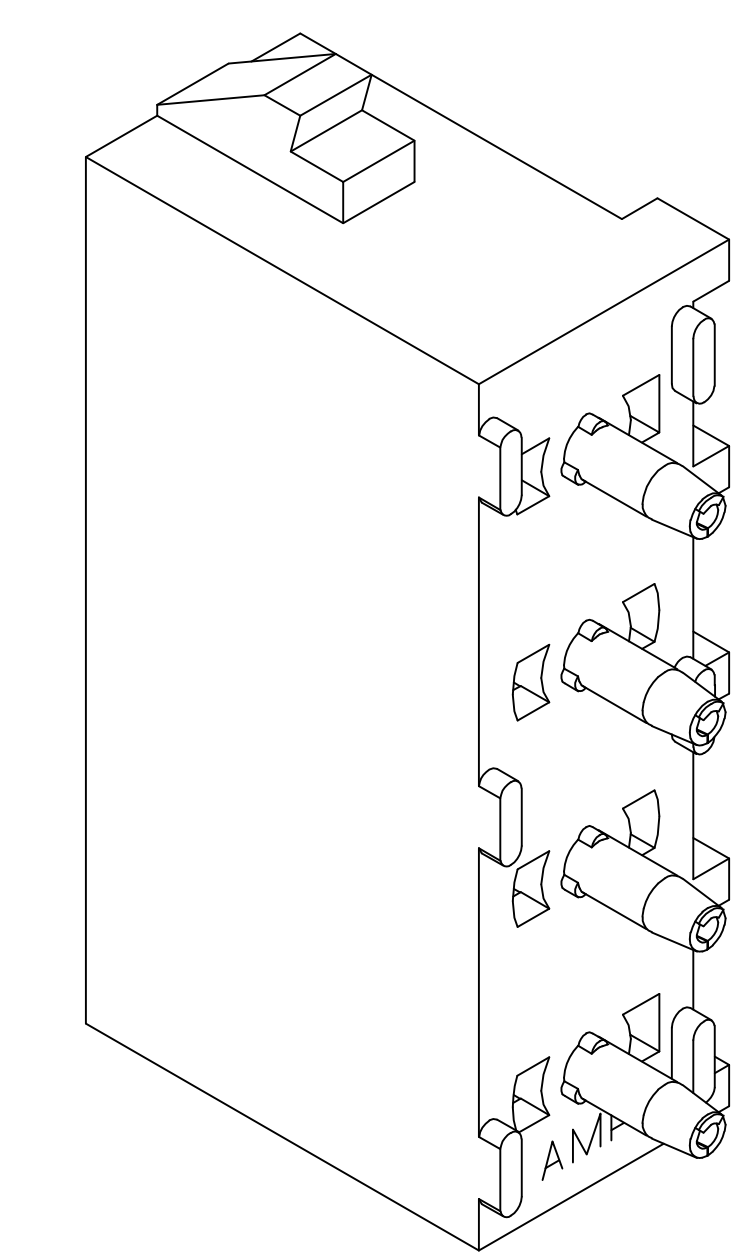


LOC		DIST		REVISIONS			
CM	00	P	LTR	DESCRIPTION	DATE	DMN	APVD
		N2		REVISED PER ECR-12-011660	23JAN13	KH	TM



- 1 PARTS COMPLY TO AMP SOLDERABILITY SPECIFICATION 109-11-3.
- 2 CONTACT IS PLATED OVERALL WITH 0.00127 [.000050] NICKEL, THEN 0.00076 [.000030] GOLD OVER CONTACT LENGTH INDICATED AND MATTE TIN LEAD ON SOLDER TAIL END.
- 3 CIRCUIT IDENTIFICATION CHARACTERS ARE ADJACENT TO THE INDICATED CAVITIES, BUT LOCATION AND ORIENTATION MAY DIFFER FROM PRINT.
- 4 DIMENSIONS IN BRACKETS ARE IN INCHES.
- 5 DRAIN HOLES LOCATED AS SHOWN. OPTIONAL CONSTRUCTION - ALL DRAIN HOLES LOCATED 90° AS SHOWN IN DETAIL A.
- 6 CONTACT IS PLATED OVERALL WITH 0.00127 [.000050] NICKEL, THEN 0.00076 [.000030] GOLD OVER CONTACT LENGTH INDICATED AND MATTE TIN ON SOLDER TAIL END.
- 7 SUPERSEDED BY 350761-5



PHOSPHOR BRONZE, GOLD	NYLON, UL94V-2, NATURAL	350761-5
PHOSPHOR BRONZE, PRE-TIN	NYLON, UL94V-2, NATURAL	350761-4
PHOSPHOR BRONZE, GOLD	NYLON, UL94V-2, NATURAL	350761-3
CONTACT MATERIAL AND FINISH	HOUSING MATERIAL	PART NUMBER

THIS DRAWING IS A CONTROLLED DOCUMENT.		DIN R LEWIS 10-02-98	TE Connectivity
DIMENSIONS: mm [INCHES]		CHK R SWING 10-02-98	
TOLERANCES UNLESS OTHERWISE SPECIFIED:		APVD M TRULL 10-02-98	NAME
0 PLC ± -	1 PLC ± -	PRODUCT SPEC	SOCKET HEADER ASSEMBLY, 4 CIRCUIT UNIVERSAL MATE-N-LOK™
2 PLC ± 0.13 [.005]	3 PLC ± -	APPLICATION SPEC	SIZE
4 PLC ± -	ANGLES ± 0°30'	WEIGHT	CAGE CODE DRAWING NO
MATERIAL SEE TABLE	FINISH SEE TABLE	CUSTOMER DRAWING	A1 00779 C=350761
		SCALE 5:1	SHEET 1 OF 1
		REV N2	

## X-ON Electronics

Largest Supplier of Electrical and Electronic Components

*Click to view similar products for [Pin & Socket Connectors](#) category:*

*Click to view products by [TE Connectivity](#) manufacturer:*

Other Similar products are found below :

[6450822-1](#) [770392-1](#) [794042-1](#) [796885-1](#) [8-794535-1](#) [PLR3455ACS-222](#) [R929991004](#) [R929993003](#) [1403611-1](#) [1-480349-5](#) [152302-5](#)  
[153211-2](#) [1586092-1](#) [1586129-1](#) [1586681-4](#) [1586700-1](#) [1586368-1](#) [1586380-1](#) [1586616-1](#) [1586680-5](#) [16-06-0038](#) [164164-5](#) [1-6609930-1](#)  
[172296-1](#) [19-09-2035](#) [200503-1](#) [200788-2](#) [2029090-4](#) [2029095-4](#) [925061-7](#) [293734-4](#) [293737-2](#) [1-765362-4](#) [1871534-1](#) [200833-4](#)  
[2008625-2](#) [2029027-2](#) [2029096-4](#) [R929991000](#) [R929991002](#) [R929993000](#) [319-10-101-00-005000](#) [319-10-102-00-001000](#) [319-10-104-00-001000](#) [319-10-105-00-001000](#) [319-10-108-00-001000](#) [319-10-112-00-006000](#) [39-01-8019](#) [319-10-101-00-001000](#) [319-10-102-00-005000](#)