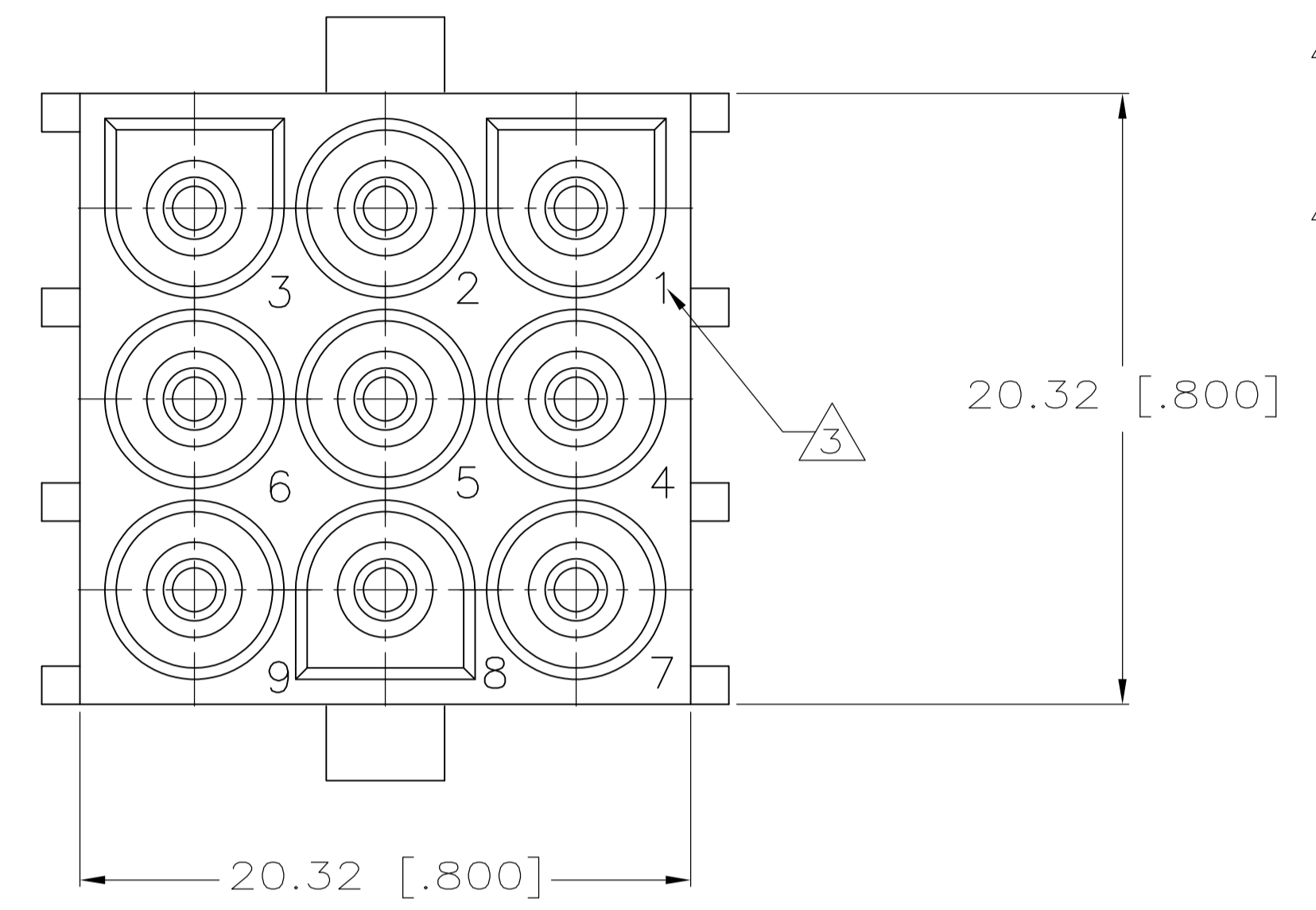
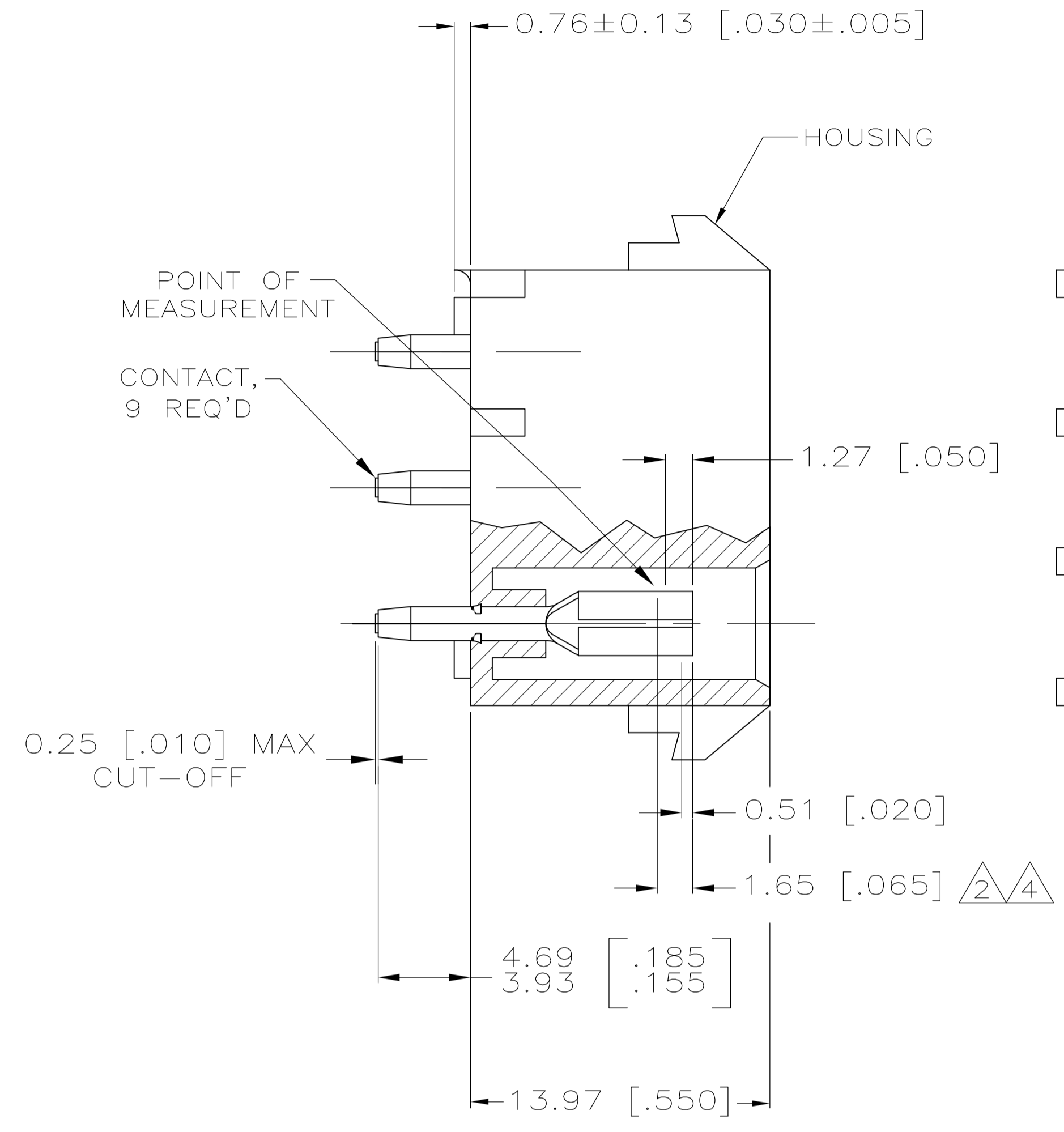
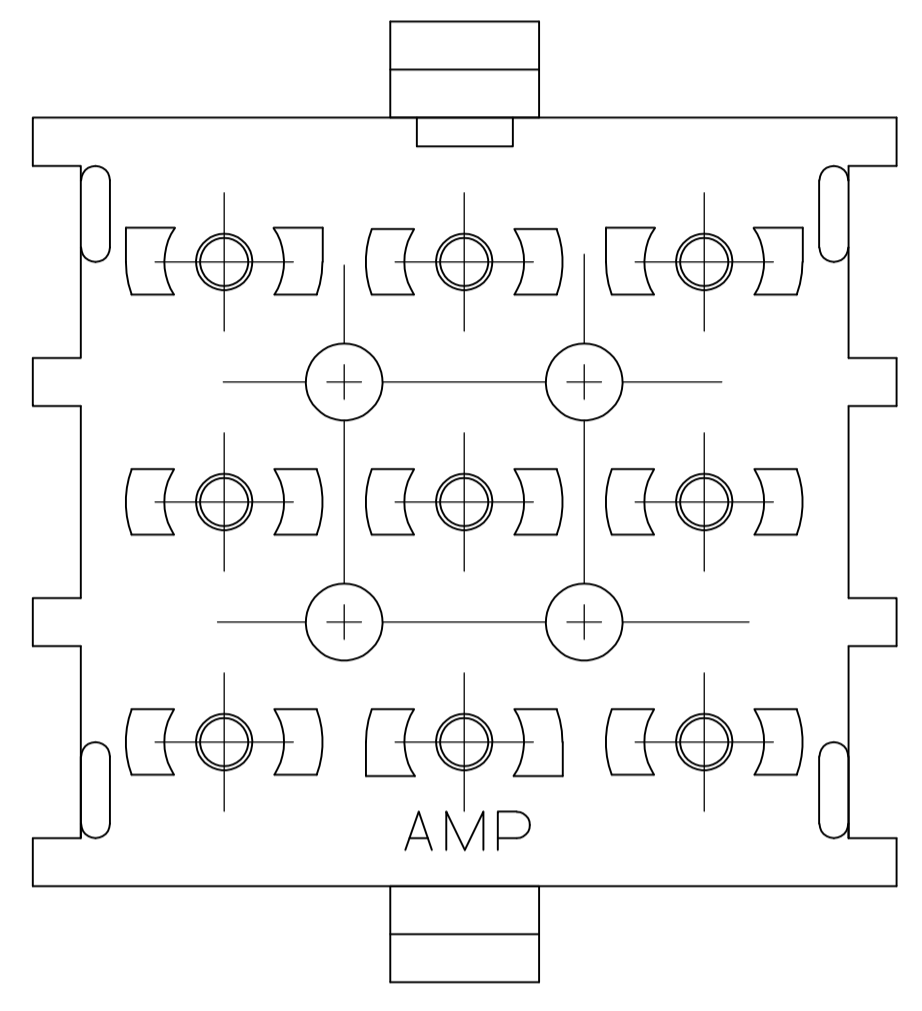
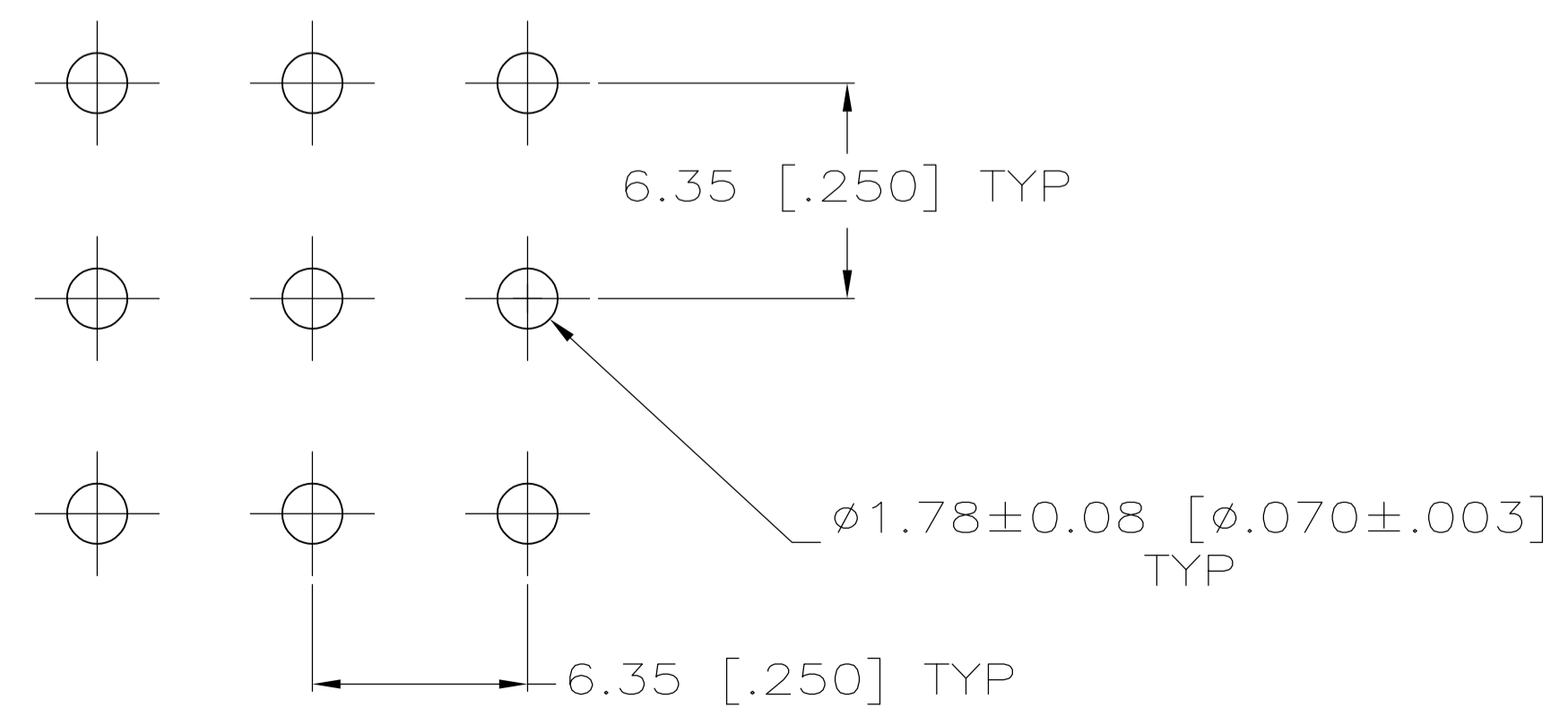


LOC		DIST		REVISIONS			
CM	00	REV	DATE	BY	CHK	APPV	
L1	REVISED PER ECR-12-011660	24JAN13	KH	TM			



- 1 PARTS COMPLY TO AMP SOLDERABILITY SPECIFICATION 109-11-3.
- $\Delta 2$ CONTACT IS STAMPED FROM PRE-PLATED STOCK WHICH IS PLATED OVERALL WITH 0.00127 [.000050] NICKEL, THEN STRIPED WITH 0.00076 [.000030] GOLD IN CONTACT AREA INDICATED AND TIN-LEAD ON SOLDER TAIL END.
- $\Delta 3$ CIRCUIT IDENTIFICATION CHARACTERS ARE ADJACENT TO THE INDICATED CAVITIES, BUT LOCATION AND ORIENTATION MAY DIFFER FROM PRINT.
- $\Delta 4$ CONTACT IS PLATED OVERALL WITH 0.00127 [.000050] NICKEL, THEN 0.00076 [.000030] GOLD OVER CONTACT LENGTH INDICATED AND MATTE TIN ON SOLDER TAIL END.
- $\Delta 5$ SUPERSEDED BY 350763-5



RECOMMENDED LAYOUT FOR 1.58 [.062] THICK PC BOARD

$\Delta 4$	PH BRZ GOLD	NYLON, NATURAL	350763-5
	PH BRZ TIN	NYLON, NATURAL	350763-4
$\Delta 5$	PH BRZ GOLD	NYLON, NATURAL	350763-3
	CONTACT	HOUSING	PART NO

DIMENSIONS:		TOLERANCES UNLESS OTHERWISE SPECIFIED:		APPROVED:		NAME:	
mm	[INCHES]	0. PLC	±	DIN K. WHITAKER	11OCT2005	STE TE Connectivity	
		1. PLC	±	CHK S. RIDGILL	11OCT2005	9 CIRCUIT UNIVERSAL MATE-N-LOK (TM)	
		2. PLC	±	APPROVED S. RIDGILL	11OCT2005	P.C. BOARD SOCKET HEADER ASSEMBLY	
		3. PLC	± 0.13 [.005]	APPLICATION SPEC		SIZE	CAGE CODE DRAWING NO
		4. PLC	±	WEIGHT		A1	00779 C=350763
		ANGLES	±	CUSTOMER DRAWING		SCALE	5:1
MATERIAL SEE TABLE		FINISH SEE TABLE		SHEET		1 OF 1	
				REV		L1	

X-ON Electronics

Largest Supplier of Electrical and Electronic Components

Click to view similar products for [Pin & Socket Connectors](#) category:

Click to view products by [TE Connectivity](#) manufacturer:

Other Similar products are found below :

[6450822-1](#) [770392-1](#) [794042-1](#) [796885-1](#) [8-794535-1](#) [PLR3455ACS-222](#) [R929991004](#) [R929993003](#) [1403611-1](#) [1-480349-5](#) [152302-5](#)
[153211-2](#) [1586092-1](#) [1586129-1](#) [1586681-4](#) [1586700-1](#) [1586368-1](#) [1586380-1](#) [1586616-1](#) [1586680-5](#) [16-06-0038](#) [164164-5](#) [1-6609930-1](#)
[172296-1](#) [19-09-2035](#) [200503-1](#) [200788-2](#) [2029090-4](#) [2029095-4](#) [925061-7](#) [293734-4](#) [293737-2](#) [1-765362-4](#) [1871534-1](#) [200833-4](#)
[2008625-2](#) [2029027-2](#) [2029096-4](#) [R929991000](#) [R929991002](#) [R929993000](#) [319-10-101-00-005000](#) [319-10-102-00-001000](#) [319-10-104-00-001000](#) [319-10-105-00-001000](#) [319-10-108-00-001000](#) [319-10-112-00-006000](#) [39-01-8019](#) [319-10-101-00-001000](#) [319-10-102-00-005000](#)