

PN 0-1879327-1 AS SHOWN

P	LTR	DESCRIPTION	DATE	DWN	APVD
B		CABLE LENGTH CHANGED FOR 0-4	16JUL2010	PT	ST.P
C		LABEL TEXT CHANGED FOR 0-4	17JUN2020	MHS	ST.P

TE HEADER: 0-350766-1  
CONTACT SOCKET,  
PN: 926901-1 (2X)

1150±20

20±20

RESISTOR: CFH500 100R J WITH CUSTOM  
LEAD LENGTH, LABEL AND CONNECTOR

R1652 500 100R J

DETAIL A

LABEL  
LABEL TEXT TO READ: MCB-X13

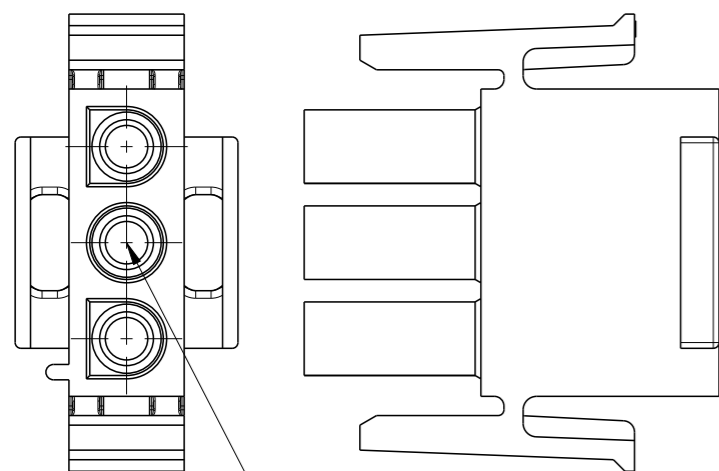
CABLE SPEC:  
WIRE TYPE: C511  
WORKING VOLTAGE: 500V  
INSULATION THICKNESS: 0.55mm  
CONDUCTOR STRANDS: 50 x 0.25mm  
CONDUCTOR DIAMETER: 2.00mm

DETAIL A  
SCALE 2:1

NOTE:

1. CABLES AND WIRES MUST BE UL/CSA APPROVED
2. LABEL MATERIAL: UL94 V-0, V1 OR V2 RATED

0-1879327-4	R1652 350 22R 5%	6001-0813-0101
0-1879327-3	R1652 350 50R 5%	6001-0713-1402
0-1879327-2	R1652 500 56R 5%	N/A
0-1879327-1	R1652 500 100R 5%	6001-0713-1602
TE PN	DESCRIPTION	CUSTOMER NO.



DO NOT USE PIN 2

THIS DRAWING IS A CONTROLLED DOCUMENT.		DWN	09-JAN-09		<b>TE</b> TE Connectivity											
DIMENSIONS: mm		CHK	09-JAN-09													
TOLERANCES UNLESS OTHERWISE SPECIFIED:		APVD	09-JAN-09													
<table border="0"> <tr> <td>0 PLC</td> <td>±0.2</td> </tr> <tr> <td>1 PLC</td> <td>±0.1</td> </tr> <tr> <td>2 PLC</td> <td>±</td> </tr> <tr> <td>3 PLC</td> <td>±</td> </tr> <tr> <td>4 PLC</td> <td>±</td> </tr> <tr> <td>ANGLES</td> <td>±0.5°</td> </tr> </table>		0 PLC	±0.2	1 PLC		±0.1	2 PLC	±	3 PLC	±	4 PLC	±	ANGLES	±0.5°	NAME	R1652
0 PLC	±0.2															
1 PLC	±0.1															
2 PLC	±															
3 PLC	±															
4 PLC	±															
ANGLES	±0.5°															
MATERIAL	FINISH	PRODUCT SPEC	-													
-	-	APPLICATION SPEC	-													
-	-	WEIGHT	-													
CUSTOMER DRAWING		SIZE	CAGE CODE	DRAWING NO	RESTRICTED TO											
		A3	00779	0-1879327												
		SCALE	SHEET	REV												
		1:1	1 OF 4	C												

REVISIONS

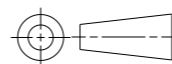
P	LTR	DESCRIPTION	DATE	DWN	APVD
		SEE SHEET 1			

PN: 0-1879327-2

THIS DRAWING IS A CONTROLLED DOCUMENT.

DIMENSIONS:

mm



TOLERANCES UNLESS OTHERWISE SPECIFIED:

0 PLC	±0.2
1 PLC	±0.1
2 PLC	±-
3 PLC	±-
4 PLC	±-
ANGLES	±0.5°

MATERIAL

-

FINISH

-

DWN SUBHASH.M 09-JAN-09

CHK PRAKASH.S 09-JAN-09

APVD STEPHEN.P 09-JAN-09

PRODUCT SPEC

-

APPLICATION SPEC

-

WEIGHT

-

NAME R1652



TE Connectivity

SIZE	CAGE CODE	DRAWING NO	RESTRICTED TO
------	-----------	------------	---------------

A3	00779	G-1879327	
----	-------	-----------	--

CUSTOMER DRAWING

SCALE 1:1

SHEET 2 OF 4

REV C

PN 0-1879327-3 AS SHOWN

P	LTR	DESCRIPTION	DATE	DWN	APVD
		SEE SHEET 1			

TE HEADER: 0-350766-1  
CONTACT SOCKET,  
PN: 926901-1 (2X)

1150±20

20±20

RESISTOR: CFH350 50R J WITH CUSTOM  
LEAD LENGTH, LABEL AND CONNECTOR

R1652 350 50R J

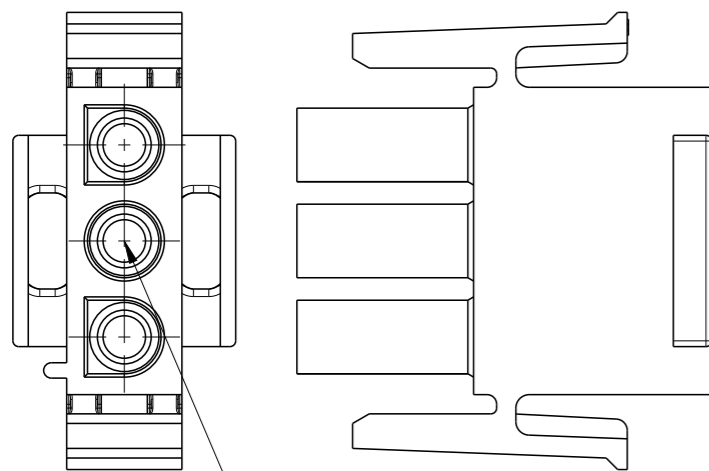
DETAIL A

LABEL  
LABEL TEXT TO READ: MCB-X14


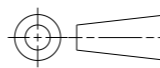
CABLE SPEC:  
WIRE TYPE: C511  
WORKING VOLTAGE: 500V  
INSULATION THICKNESS: 0.55mm  
CONDUCTOR STRANDS: 50 x 0.25mm  
CONDUCTOR DIAMETER: 2.00mm

DETAIL A  
SCALE 2:1

- NOTE:
1. CABLES AND WIRES MUST BE UL/CSA APPROVED
  2. LABEL MATERIAL: UL94 V-0, V1 OR V2 RATED



DO NOT USE PIN 2

THIS DRAWING IS A CONTROLLED DOCUMENT.		DWN SUBHASH.M 09-JAN-09	 TE Connectivity		
DIMENSIONS: mm		CHK PRAKASH.S 09-JAN-09			
		APVD STEPHEN.P 09-JAN-09			
TOLERANCES UNLESS OTHERWISE SPECIFIED:		NAME R1652	RESTRICTED TO		
0 PLC ±0.2 1 PLC ±0.1 2 PLC ± 3 PLC ± 4 PLC ± ANGLES ±0.5°		PRODUCT SPEC -	SIZE A3	CAGE CODE 00779	DRAWING NO C-1879327
MATERIAL -		FINISH -	WEIGHT -	SCALE 1:1	SHEET 3 OF 4
		CUSTOMER DRAWING	REV C		

PN 0-1879327-4 AS SHOWN

P	LTR	DESCRIPTION	DATE	DWN	APVD
		SEE SHEET 1			

TE HEADER: 0-350766-1  
CONTACT SOCKET,  
PN: 926901-1 (2X)

1100±20

20±20

RESISTOR: CFH350 22R J WITH CUSTOM  
LEAD LENGTH, LABEL AND CONNECTOR

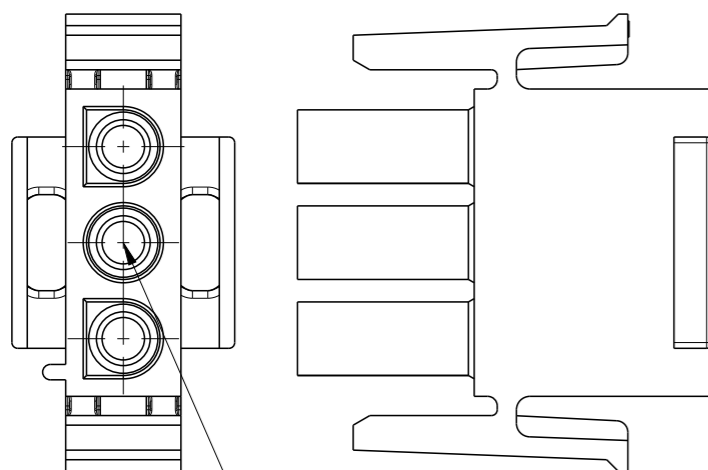
R1652 350 22R J

DETAIL A

LABEL  
LABEL TEXT TO READ: MCB-X3/4

CABLE SPEC:  
WIRE TYPE: C511  
WORKING VOLTAGE: 500V  
INSULATION THICKNESS: 0.55mm  
CONDUCTOR STRANDS: 50 x 0.25mm  
CONDUCTOR DIAMETER: 2.00mm



DETAIL A  
SCALE 2:1



DO NOT USE PIN 2

NOTE:

1. CABLES AND WIRES MUST BE UL/CSA APPROVED
2. LABEL MATERIAL: UL94 V-0, V1 OR V2 RATED

THIS DRAWING IS A CONTROLLED DOCUMENT.		DWN SUBHASH.M 09-JAN-09	 TE Connectivity	
DIMENSIONS: mm		CHK PRAKASH.S 09-JAN-09		
		APVD STEPHEN.P 09-JAN-09		
TOLERANCES UNLESS OTHERWISE SPECIFIED:		NAME R1652	RESTRICTED TO	
0 PLC ±0.2		PRODUCT SPEC	SIZE	CAGE CODE
1 PLC ±0.1		APPLICATION SPEC	A3	00779
2 PLC ±		WEIGHT	DRAWING NO	©=1879327
3 PLC ±		CUSTOMER DRAWING	SCALE	SHEET
4 PLC ±			1:1	4 OF 4
ANGLES ±0.5°			REV	C
FINISH				
-				
-				

## X-ON Electronics

Largest Supplier of Electrical and Electronic Components

*Click to view similar products for [Pin & Socket Connectors](#) category:*

*Click to view products by [TE Connectivity](#) manufacturer:*

Other Similar products are found below :

[6450822-1](#) [770392-1](#) [794042-1](#) [796885-1](#) [8-794535-1](#) [PLR3455ACS-222](#) [R929991004](#) [R929993003](#) [1403611-1](#) [1-480349-5](#) [152302-5](#)  
[153211-2](#) [1586092-1](#) [1586129-1](#) [1586681-4](#) [1586700-1](#) [1586368-1](#) [1586380-1](#) [1586616-1](#) [1586680-5](#) [16-06-0038](#) [164164-5](#) [1-6609930-1](#)  
[172296-1](#) [19-09-2035](#) [200503-1](#) [200788-2](#) [2029090-4](#) [2029095-4](#) [925061-7](#) [293734-4](#) [293737-2](#) [1-765362-4](#) [1871534-1](#) [200833-4](#)  
[2008625-2](#) [2029027-2](#) [2029096-4](#) [R929991000](#) [R929991002](#) [R929993000](#) [319-10-101-00-005000](#) [319-10-102-00-001000](#) [319-10-104-00-001000](#) [319-10-105-00-001000](#) [319-10-108-00-001000](#) [319-10-112-00-006000](#) [39-01-8019](#) [319-10-101-00-001000](#) [319-10-102-00-005000](#)